



TYPE-E SUBWOOFER
HAUT-PARLEUR D'EXTRÊMES GRAVES TYPE-E
APPLICATION GUIDE
GUIDE D' APPLICATION

SWE-1242

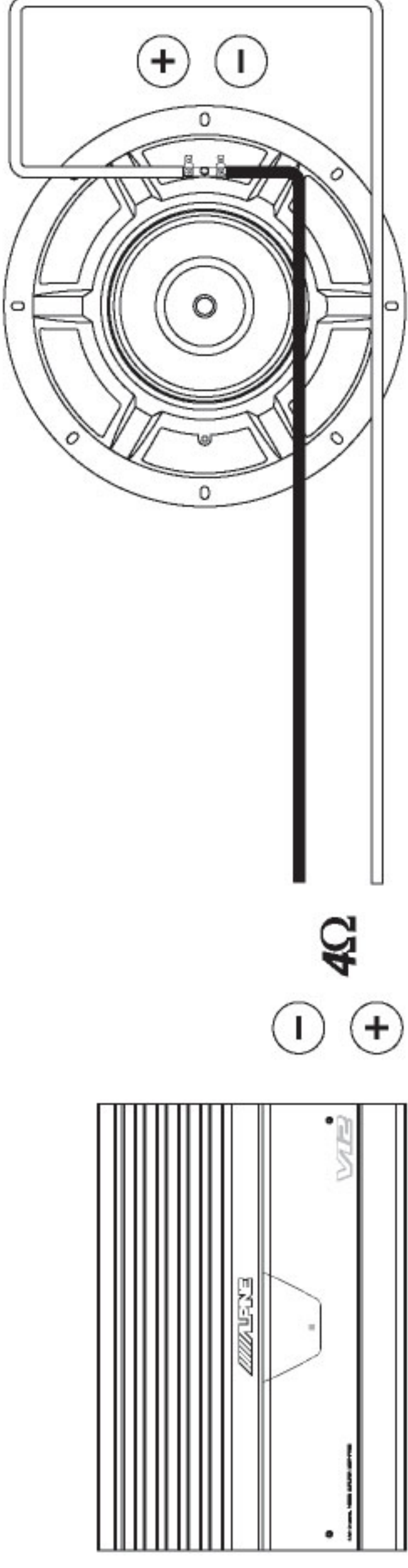
12 Inch Single Voice Coil Subwoofer (4 Ω)
Haut-parleur d'extrêmes graves à single bobine 12 po (4 Ω)

SWE-1042

10 Inch Single Voice Coil Subwoofer (4 Ω)
Haut-parleur d'extrêmes graves à single bobine 10 po (4 Ω)

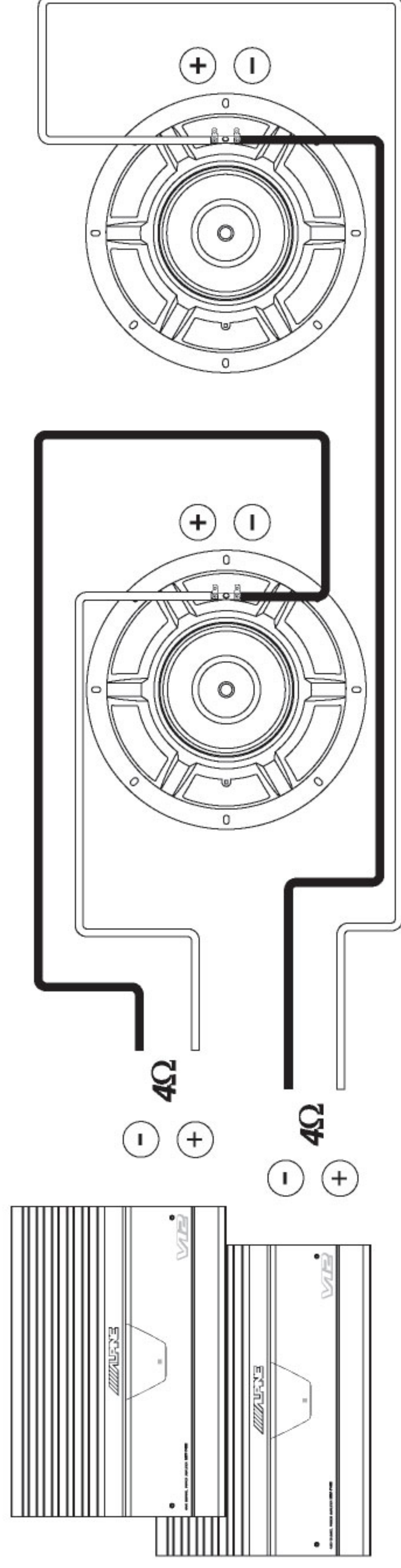
Example 1 One Amplifier and One Subwoofer

Exemple 1 1 amplificateur et 1 h.-p. d'extrêmes graves



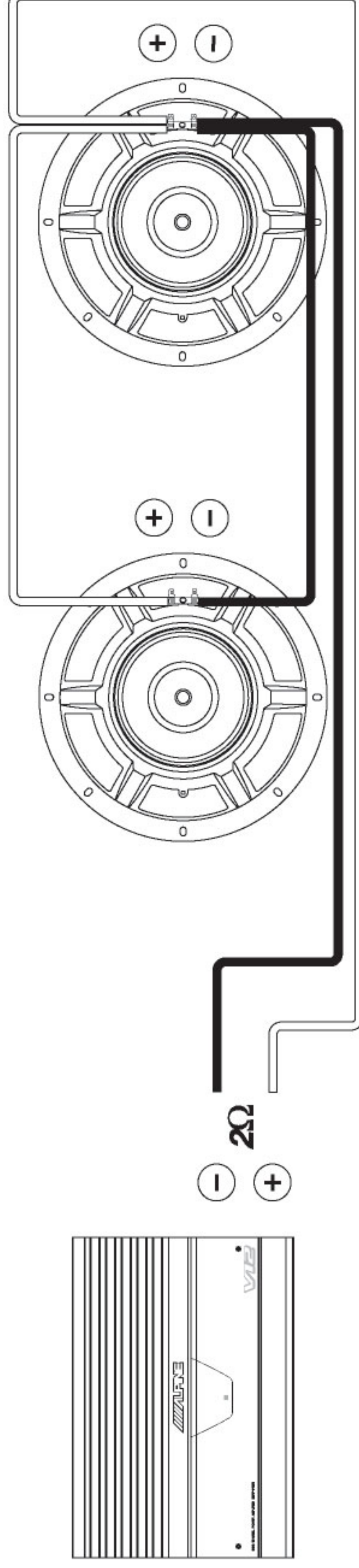
Example 2 Two Amplifiers and Two Subwoofers

Exemple 2 2 amplificateurs et 2 h.-p. d'extrêmes graves



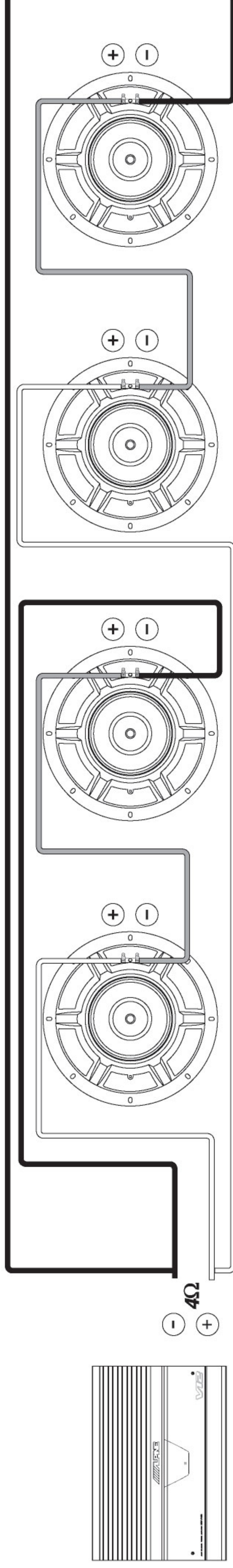
Example 3 One Amplifier and Two Subwoofers

Exemple 3 1 amplificateur et 2 h.-p. d'extrêmes graves



Example 4 One Amplifier and Four Subwoofers

Exemple 4 1 amplificateur et 4 h.-p. d'extrêmes graves



● SPECIFICATIONS

Model	SWE-1242	SWE-1042
Size	12"	10"
Impedance	4Ω	4Ω
Power Handling (RMS/Peak)	250W/750W	250W/750W
Frequency Response	Fs~1kHz	Fs~1kHz
Sensitivity*	89dB	87dB
DC Coil Resistance (Re)	3.6 Ω	3.6 Ω
Inductance (Le) 1kHz/20kHz	2.78mH/0.86mH	2.70mH/0.85mH
Free Air Resonance (Fs)	31Hz	33Hz
Equivalent Stiffness (Vas)	61L	33L
Qms/Qes/Qts	9.68/0.70/0.66	9.85/0.71/0.66
X max / X peak	11.7mm/23.4mm	11.7mm/23.4mm
Mechanical Excursion (P-P)	40mm	36mm
Gap/Coil Height (Hag/Hvc)	10mm/33.4mm	10mm/33.4mm
Cone Area (Sd)	490.87 cm ²	339.79 cm ²
Diaphragm Material	Kevlar Reinforced Pulp	Kevlar Reinforced Pulp
Spider Material	Nomex	Nomex
Magnet Weight	64oz	44.8oz
Voice Coil Diameter	38mm	38mm
Displacement (front mount)**	0.086 ft ³	0.061 ft ³
Displacement (rear mount)	0.092 ft ³	0.079 ft ³
Added Volume (reverse mount)**	0.084 ft ³	0.056 ft ³
Recommended Sealed Box Volume	0.8~1.7 ft ³	0.6~1.25 ft ³

Note: All specifications are subject to change without notice

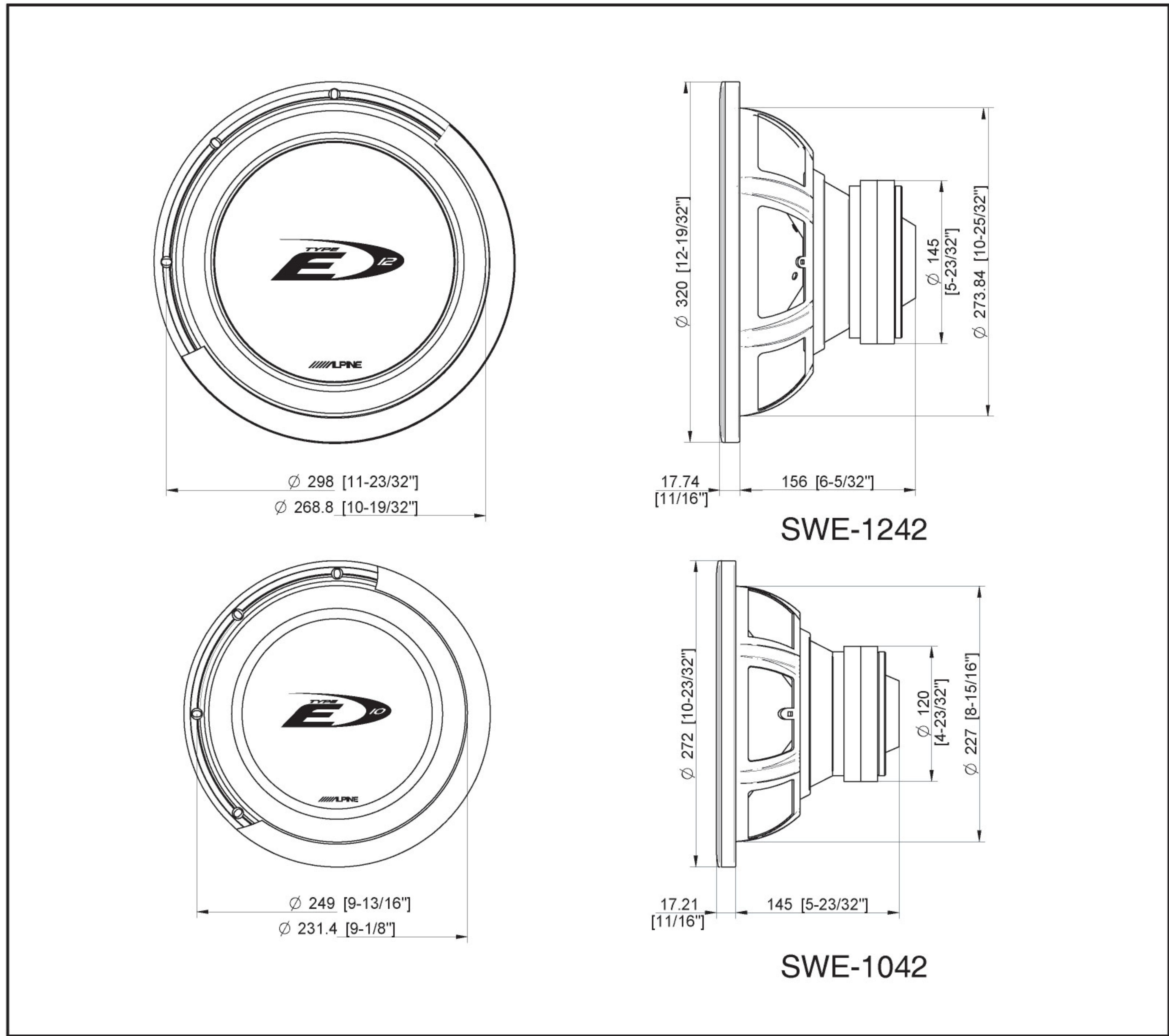
All T/S parameters measured/calculated, after break-in.

* This commonly misunderstood specification should not be used as a reference for subwoofer output capability.

** Based upon 3/4" (19mm) baffle thickness, with opening cut approximately to gasket inner diameter

● SPECIFICATIONS

Modèle	SWE-1242	SWE-1042
Dimensions	12"	10"
Impedance	4Ω	4Ω
Puissance (RMS/MAX)	250W/750W	250W/750W
Réponse en fréquence	Fs~1kHz	Fs~1kHz
Sensibilité	89dB	87dB
Résistance en continu (Re)	3.6 Ω	3.6 Ω
Inductance (Le) 1kHz/20kHz	2.78mH/0.86mH	2.70mH/0.85mH
Fréquence de résonance (Fs)	31Hz	33Hz
Raideur equivalente (Vas)	61L	33L
Qms/Qes/Qts	9.68/0.70/0.66	9.85/0.71/0.66
X max / X crête	11.7mm/23.4mm	11.7mm/23.4mm
Excursion mécanique (P-P)	40mm	36mm
Largeur Entrefer/Bobine (Hag/Hvc)	10mm/33.4mm	10mm/33.4mm
Surface de cône (Sd)	490.87 cm ²	339.79 cm ²
Membrane	Kevlar renforcé	Kevlar renforcé
Suspension	Nomex	Nomex
Poids de l'aimant	64oz	44.8oz
Diamètre de bobine	38mm	38mm
Displacement (en avant)	0.086 ft ³	0.061 ft ³
Displacement (en arrière)	0.092 ft ³	0.079 ft ³
Volume en plus (en renverse)	0.084 ft ³	0.056 ft ³
Volume de charge recommandé	0.8~1.7 ft ³	0.6~1.25 ft ³



ALPINE®

ALPINE ELECTRONICS, INC.
Tokyo office: 1-1-8 Nishi Gotanda,
Shinagawa-ku, Tokyo 141, Japan
Tel: (03) 3494-1101

ALPINE ELECTRONICS OF AMERICA, INC.
19145 Gramercy Place, Torrance,
California 90501, U.S.A.
Tel: (310) 326-8000

ALPINE ELECTRONICS OF CANADA, INC.
Suite 203, 7300 Warden Ave. Markham,
Ontario L3R 9Z6, Canada
Tel: (905) 475-7280

ALPINE ELECTRONICS OF AUSTRALIA PTY. LTD.
6-8 Fiveways Boulevard Keysborough,
Victoria 3173, Australia
Tel: 61 (3) 9769-0000

ALPINE ELECTRONICS DE ESPAÑA, S.A.
Portal de Gamarra 36, Pabellon 32, 01013
Vitoria (Alava). Apdo: 133, Spain
Tel: 34 (945) 283588

ALPINE ELECTRONICS GmbH
Frankfurter Ring 117, 80807 Monchen
Germany
Tel: 089-32 42 640

ALPINE ELECTRONICS MANUFACTURING OF EUROPE
H-2051 Biatorbagy, orfzag ut. 2, Hungary
Tel: 36 (23) 311-923

ALPINE ELECTRONICS OF U.K., LTD.
13 Tanners Drive, Blakelands, Milton Keynes,
Mk 14 5BU, U.L.
Tel: 44 (1908) 611556

ALPINE ELECTRONICS FRANCE S.A.R.L.
98, Rue de la Bella Etoile, Z.I. Paris Nord II
B.P. 50016, 95945, Roissy, C.D.G. Cédex,
France
Tel: 33 (1) 4863-8989

ALPINE ITALIA S.p.A.
Viale C. Colombo 8, 20090 Trezzano Sul
Naviglio, Italy
Tel: 39 (02) 484781

Printed in China