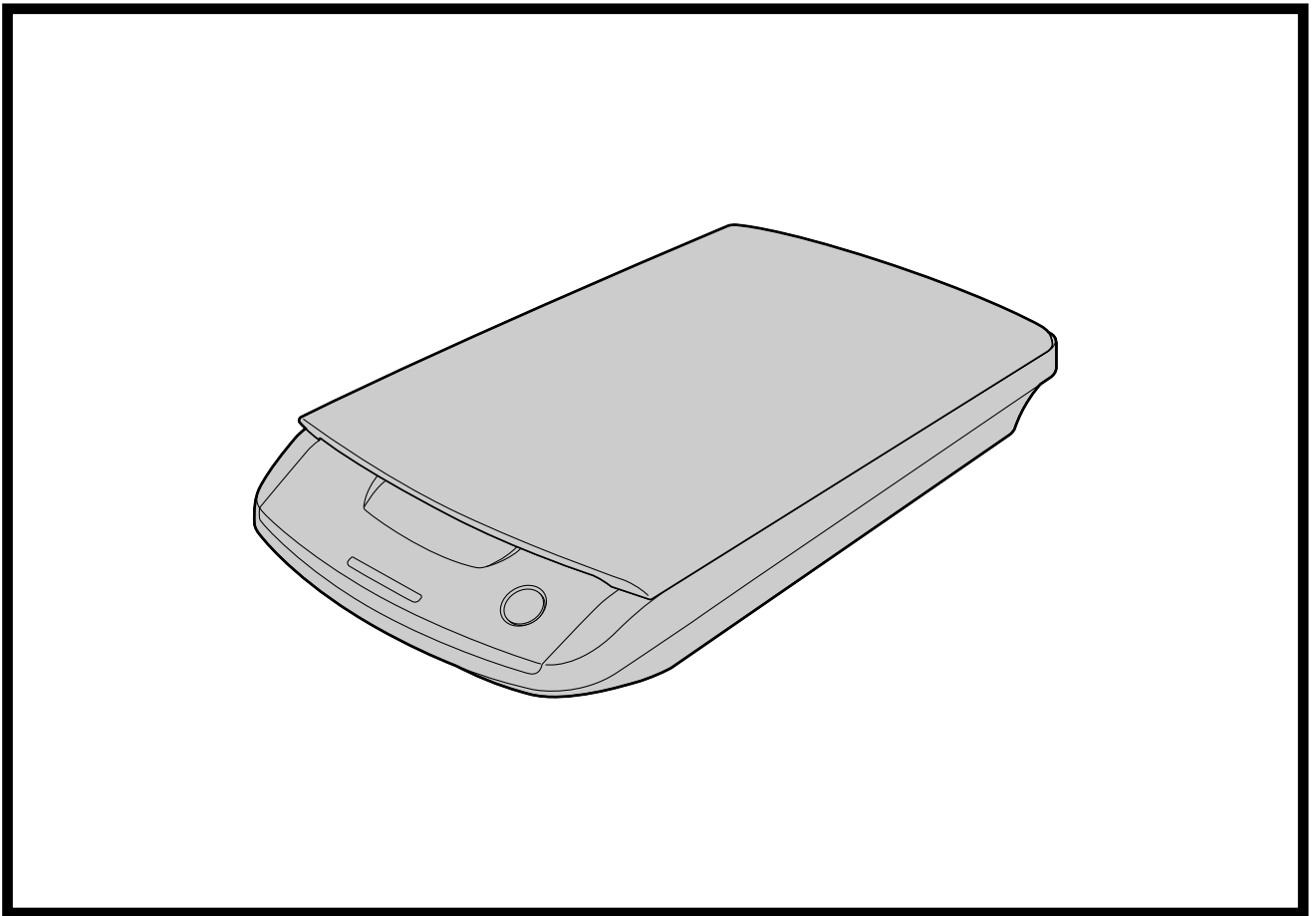


# Panasonic®

## Operating Instructions Flatbed Scanner

---

Model No. **KV-SS080**



These instructions contain information on installing and operating the unit.

Please read this manual before installing the unit.

Please carefully read this manual, and keep this documentation in a safe place for future reference.

# Introduction

Thank you for purchasing a **Panasonic Flatbed Scanner**.

**This unit is a proprietary scanner<sup>\*1</sup> option. To use this unit, both it and a compatible scanner must be connected to the computer used.**

<sup>\*1</sup> Except for models with built-in flatbeds.

## About the documentation

Other than this manual, 3 software reference manuals are included.

<b>Operating Instructions (this manual)</b>	The Operating Instructions explain the installation method and procedures, the part names, operations, features and maintenance of the unit.
<b>Software Reference Manuals (electronic documentation)</b>	<ul style="list-style-type: none"><li>• <b>PIE Reference Manual</b> Explains the settings of the PIE (Panasonic Image Enhancement Technology) features using the ISIS and TWAIN drivers.</li><li>• <b>RTIV Reference Manual</b> Explains the features and settings for RTIV (Reliable Throughput Imaging Viewer). (You can view this manual by clicking the help button on RTIV.)</li><li>• <b>User Utility Reference Manual</b> Explains how to use the User Utility, which is used for scanner maintenance. (You can view this manual by clicking the help button on User Utility.)</li></ul>

- The electronic documentation is located on the included CD-ROM. For details on viewing the documentation, see "Viewing Electronic Documentation" (page 17).

## Abbreviations

- **Windows®** refers to the Microsoft® Windows® operating system (hereafter Windows).
- **Windows® 2000** refers to the Microsoft® Windows® 2000 operating system (hereafter Windows 2000).
- **Windows® XP** refers to the Microsoft® Windows® XP operating system (hereafter Windows XP).
- **Windows Vista®** refers to the Microsoft® Windows Vista® operating system (hereafter Windows Vista).

## Trademarks

- Microsoft, Windows, and Windows Vista are either registered trademarks or trademarks of Microsoft Corporation in the United States and/or other countries.
- ISIS, MultiStream and QuickScan Pro are registered trademarks or trademarks of EMC Corporation.
- IBM and AT are trademarks of International Business Machines Corporation in the United States, other countries, or both.
- Pentium is a trademark of Intel Corporation in the U.S. and other countries.
- Adobe and Reader are either registered trademarks or trademarks of Adobe Systems Incorporated in the United States and/or other countries.
- All other trademarks identified herein are the property of their respective owners.

## International ENERGY STAR Program



As an ENERGY STAR® Partner, Panasonic has determined that this product meets the ENERGY STAR guidelines for energy efficiency.

## Federal Communications Commission Requirements (For United States only)

This equipment has been tested and found to comply with the limits for a Class B digital device, pursuant to Part 15 of the FCC Rules. These limits are designed to provide reasonable protection against harmful interference in a residential installation. This equipment generates, uses, and can radiate radio frequency energy and, if not installed and used in accordance with the instructions, may cause harmful interference to radio communications.

However, there is no guarantee that interference will not occur in a particular installation. If this equipment does cause harmful interference to radio or television reception, which can be determined by turning the equipment off and on, the user is encouraged to try to correct the interference by one or more of the following measures:

- Reorient or relocate the receiving antenna.
- Increase the separation between the equipment and receiver.
- Connect the equipment into an outlet on a circuit different from that to which the receiver is connected.
- Consult the dealer or an experienced radio/TV technician for help.
- The user may find the booklet "Something About Interference" available from FCC local regional offices helpful.

**FCC Warning:** To assure continued FCC emission limit compliance, the user must use the recommended shielded interfacing cable when connecting to a host computer. Also, any unauthorized changes or modifications to this equipment would void the user's authority to operate this device.

### FCC Declaration of Conformity

Trade Name: Panasonic  
Model Number: KV-SS080  
Responsible Party: Panasonic Corporation of North America  
One Panasonic Way  
Secaucus, NJ 07094 U.S.A.  
Telephone No.: 1-800-726-2797

This device complies with Part 15 of the FCC Rules.

Operation is subject to the following two conditions:

- (1) This device may not cause harmful interference, and
- (2) this device must accept any interference received, including interference that may cause undesired operation.

## For FRG Users (For Germany Only)

- Machine noise information regulation - 3.GPSGV, the maximum sound pressure level is 70 dB(A) or less, in conformity with EN ISO 7779.
- This equipment is not for use at video display work stations according to BildscharbV.



# Table of Contents





<b>Before You Start .....</b>	<b>6</b>
For Your Safety .....	6
Safety Information (For United Kingdom only) .....	8
Precautions .....	9
<b>Installation .....</b>	<b>11</b>
Included Accessories .....	11
Location of Controls .....	11
About the LEDs .....	12
Installing the Unit .....	13
<b>Installing Software .....</b>	<b>15</b>
System Requirements .....	15
CD-ROM Contents .....	15
Software Installation .....	16
Uninstalling Software .....	17
<b>Viewing Electronic Documentation .....</b>	<b>17</b>
Viewing Manuals from the CD-ROM .....	17
Viewing Manuals Installed on Your Computer .....	18
Uninstalling Manuals .....	18
<b>Operation .....</b>	<b>19</b>
Turning on the Unit Power .....	19
Scanning Documents .....	20
<b>Changing the Scan Background Color .....</b>	<b>22</b>
Reversing the flatbed sheet .....	22
<b>Care and Maintenance .....</b>	<b>25</b>
Cleaning the Unit .....	25
<b>Appendix .....</b>	<b>27</b>
Troubleshooting .....	27
Repacking Instructions .....	28
Specifications .....	30
<b>Index.....</b>	<b>31</b>




# For Your Safety

To prevent severe injury and loss of life, read this section carefully before using the unit to ensure proper and safe operation of your unit.

- This section explains the graphic symbols used in this manual.

 <b>WARNING</b>	Denotes a potential hazard that could result in serious injury or death.
 <b>CAUTION</b>	Denotes hazards that could result in minor injury or damage to the unit.


  	These symbols are used to alert operators to a specific operating procedure that must not be performed.
	

  	These symbols are used to alert operators to a specific operating procedure that must be emphasized in order to operate the unit safely.
---	--

## For Users

 <b>WARNING</b>
--

## Power and Ground Connection

-  The power source voltage of this unit is listed on the nameplate. Only plug the unit into an AC outlet with the proper voltage. If you use a cord with an unspecified current rating, the unit or plug may emit smoke or become hot to the touch.



When you operate this product, the power outlet should be near the product and easily accessible.



To ensure safe operation, the power cord supplied must be inserted into a standard three-prong AC outlet which is effectively grounded (earthed) through the normal wiring.



The fact that the equipment operates satisfactorily does not imply that the power point is grounded (earthed) and that the installation is completely safe. For your safety, if in any doubt about the effective grounding (earthing) of the power point, consult a qualified electrician.



If the plug cannot be inserted into the AC outlet, contact a licensed electrician to replace the AC outlet with a properly grounded (earthed) one.



Do not defeat the grounding (earthing) plug (ex. do not use a conversion plug).



Connect the AC adaptor firmly to the power cord, and plug the power cord firmly into an AC outlet. Otherwise, it can cause fire or electric shock.



Do not pull, bend, rest objects on, or chafe the power cord, plug, and AC adaptor. Damage to the power cord or plug can cause fire or electric shock.



Do not attempt to repair the power cord, plug, or AC adaptor. If the power cord or plug is damaged or frayed, contact an authorized service representative for a replacement.



Ensure that the plug connection is free of dust. In a damp environment, a contaminated connector can draw a significant amount of current that can generate heat, and eventually cause fire if left unattended over an extended period of time.



Never touch the plug or AC adaptor with wet hands. Danger of electric shock exists.



Stop operation immediately if the unit emits smoke, excessive heat, abnormal smell, or unusual noise. These conditions can cause fire or electric shock. Immediately turn the unit off, and unplug the power cord, and contact your dealer for service.



When disconnecting the unit, grasp the plug instead of the cord. Pulling on a cord forcibly can damage it, and cause fire or electric shock.

### Operating Safeguards



If water gets into the unit, turn the unit off, and unplug the unit immediately. Contact your dealer for service. Operating the contaminated unit can cause fire or electric shock.



Do not open covers, and do not attempt to repair the unit yourself. Contact your dealer for service.



Do not alter the unit or modify any parts. Alteration or modification can cause fire or electric shock.



During thunderstorms, do not touch the unit, plug and AC adaptor. It may cause an electric shock.

## CAUTION

### Power



The unit should be used only with the power cord and AC adaptor enclosed with the unit.



When the unit is not used over an extended period of time, switch it off, and unplug it. If an unused unit is left connected to a power source for a long period, degraded insulation may cause electric shock, current leakage, or fire.

### Installation and Relocation



Do not position the unit in a location where it is unstable.



To prevent fire or shock hazard, do not expose this unit to rain or any type of moisture.



Do not place the unit in a hot humid or dusty environment. Prolonged exposure to these adverse conditions may cause fire or electric shock.



When moving the unit, be sure to unplug the power cord from the AC outlet. If the unit is moved with the power cord attached, it can cause damage to the cord which could result in fire or electric shock.

### Operating Safeguards




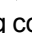
If the unit falls down or gets damaged, turn the unit off, and unplug the power cord. Otherwise, it may cause fire or electric shock.



Do not place any liquids or heavy items on the unit. Accidental spillage of liquid into the unit may cause severe damage. If this occurs, turn the unit off, unplug the power cord, and contact your dealer for service.

**CLASS 1 LED PRODUCT**

## Safety Information (For United Kingdom only)

This appliance is supplied with a moulded three pin mains plug for your safety and convenience. A 5 amp fuse is fitted in this plug. Should the fuse need to be replaced, please ensure that the replacement fuse has a rating of 5 amps and that it is approved by ASTA or BSI to BS1362. Check for the ASTA mark  or the BSI mark  on the body of the fuse. If the plug contains a removable fuse cover, you must ensure that it is refitted when the fuse is replaced. If you lose the fuse cover, the plug must not be used until a replacement cover is obtained. A replacement fuse cover can be purchased from your local Panasonic Dealer.

IF THE FITTED MOULDED PLUG IS UNSUITABLE FOR THE SOCKET OUTLET IN YOUR PREMISES, THEN THE FUSE SHOULD BE REMOVED AND THE PLUG CUT OFF AND DISPOSED OF SAFELY. THERE IS DANGER OF SEVERE ELECTRICAL SHOCK IF THE CUT-OFF PLUG IS INSERTED INTO ANY 13 AMP SOCKET.

If a new plug is to be fitted, please observe the wiring cord as shown below. If in any doubt, please consult a qualified electrician.

### **WARNING**


THIS APPLIANCE MUST BE EARTHED.

### **IMPORTANT**

The wires in this mains lead are coloured as follows:

Green-and-Yellow:	Earth
Blue:	Neutral
Brown:	Live

As the colours of the wires in the mains lead of this apparatus may not correspond with the coloured markings identifying the terminals in your plug, proceed as follows.

The wire that is coloured GREEN-AND-YELLOW must be connected to the terminal in the plug that is marked with the letter E or by the Earth symbol  or coloured GREEN or GREEN-AND-YELLOW.

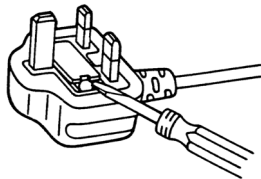


The wire that is coloured BLUE must be connected to the terminal in the plug that is marked with the letter N or coloured BLACK.

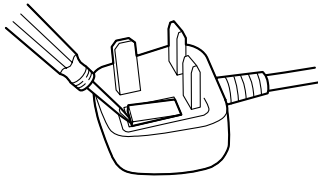
The wire that is coloured BROWN must be connected to the terminal in the plug which is marked with the letter L or coloured RED.

#### How to replace the fuse:

Open the fuse compartment with a screwdriver and replace the fuse and fuse cover.



OR



## Precautions

### Installation

- Do not place the unit in direct sunlight, in a cold draft, or near heating apparatus.
- Do not place the unit near apparatus which generate electronic or magnetic noise.
- Protect the unit from static electricity.
- Do not move the unit immediately from a cold place to a warm place. It may cause dew.

### CD-ROM

- Do not write or stick paper on the front and/or back of CD-ROM.
- Do not touch the data side of the CD-ROM. When handling the CD-ROM, be careful not to leave fingerprints or otherwise damage the CD-ROM.
- Do not leave the CD-ROM where it is directly exposed to sunlight or near a heater for extended periods.
- Do not throw or bend the CD-ROM.

### Others

- Make sure to remove paper clips and staples from documents before scanning. Failing to do so can damage the flatbed glass.
- Do not use thinner, benzine, or cleaners containing abrasives or surfactants, for cleaning the unit.
- Plug the power cord into an outlet from which you can easily unplug it.

## Illegal Duplication

**It is unlawful to make duplication of certain documents.**

Duplicating certain documents may be illegal in your country/area.

Penalties of fines and/or imprisonment may be imposed on those found guilty. The following are examples of items that may be illegal to duplicate in your country/area.

- Currency
- Bank notes and checks
- Bank and government bonds, and securities
- Passports, licenses, official or private documents, identification cards, and the like
- Copyright materials, or trademarks without the consent of the owner
- Postage stamps, and other negotiable instruments

This list is not inclusive, and no liability is assumed for either its completeness or accuracy. In case of doubt, contact your legal counsel.

**Notice**

Install your machine near a supervised area to prevent illegal duplication from being made.


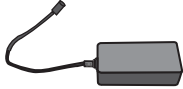

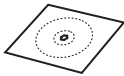


## Security Notice

The management of documents and scanned data is the responsibility of the user. In particular, pay attention to the following points.

- Make sure you have the same number of pages for important documents both before and after scanning, and take care not to leave any pages in the scanner.
- Periodically back up important data.
- When having your computer or hard disk serviced, or when disposing of your computer or hard disk, completely erase any stored image data.

## Included Accessories

- Check that all accessories are included before installing the unit.  
In the event that an item is missing, please contact your dealer.

	Power cord
	AC adaptor <sup>*1</sup>
	USB cable
	Drivers & Utilities / Manuals CD-ROM
	Operating Instructions (this manual)
	Safety Guide <sup>*2</sup> (for French, German, Spanish, Italian and Russian only)

<sup>\*1</sup> Panasonic AC adaptor PJSWC0003

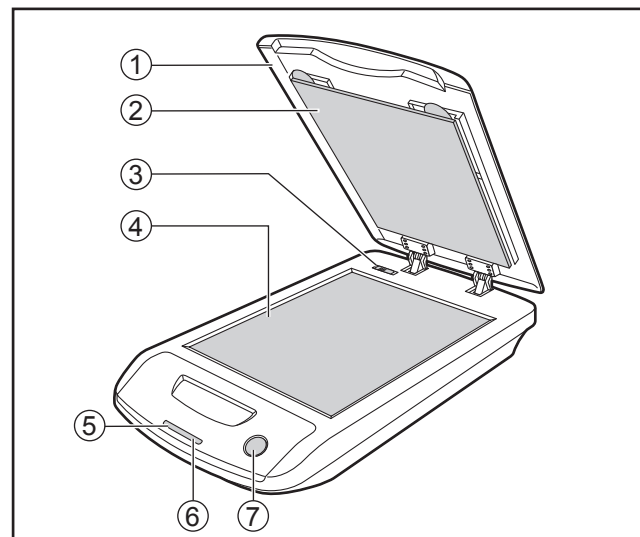
<sup>\*2</sup> Safety Guide may be included depending on country/area.

### Note

- It is highly recommended to keep the original carton and all packing materials. They are necessary when repacking.
- [For United States only]  
Applicable limited warranty information is included on the Drivers & Utilities / Manuals CD-ROM.
- Two power cords may be included. Use the power cord appropriate for where you use the unit.

## Location of Controls

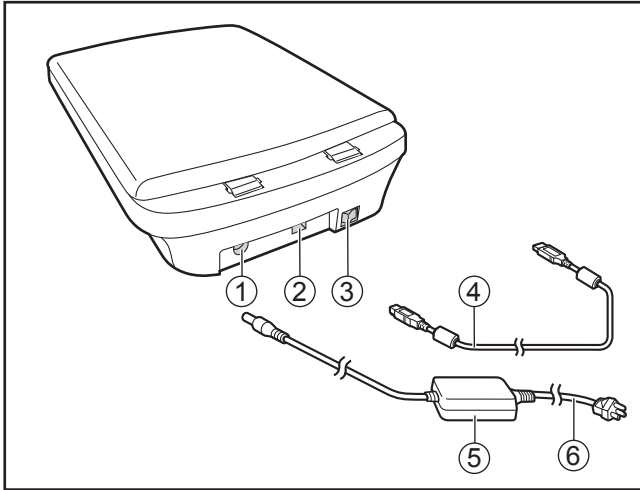
### Front



- ① **Document cover**
- ② **Flatbed sheet**
- ③ **LOCK/UNLOCK selector**  
For details, see page 13.
- ④ **Flatbed glass**
- ⑤ **LED (Green)**  
Shows the status of this unit. For details, see "About the LEDs" (page 12).
- ⑥ **LED (Red)**  
Shows the status of this unit. For details, see "About the LEDs" (page 12).
- ⑦ **Start button**  
If you set [Wait Key] for "Manual Feed Mode"<sup>\*1</sup> in your application software, pushing this key starts scanning.

<sup>\*1</sup> For details on "Manual Feed Mode", refer to the RTIV Reference Manual or PIE Reference Manual.

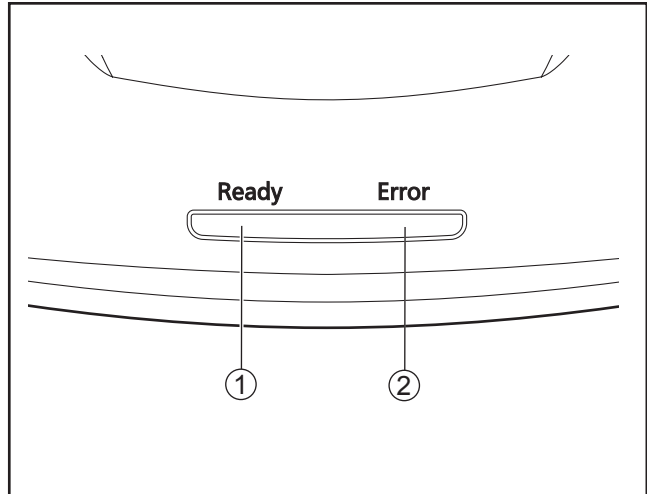
Rear



- ① Power connector
- ② USB connector
- ③ Power switch
- ④ USB cable
- ⑤ AC adaptor
- ⑥ Power cord

## About the LEDs

The status of the unit is indicated by the combination of the LED (Green) (①) and LED (Red) (②), as shown in the table below:



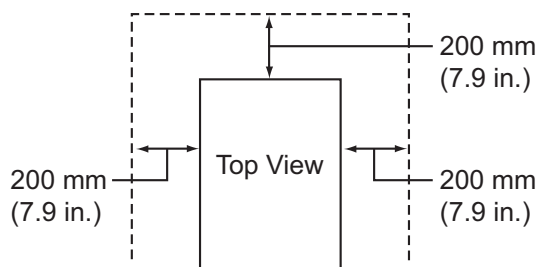
① LED (Green)	② LED (Red)	Status
ON	OFF	Ready
ON	ON	Error <sup>*1</sup>
Blink	OFF	Scanning/ Warming up

<sup>\*1</sup> Check the status of the unit using User Utility. For details about User Utility, refer to the User Utility Reference Manual.

## Installing the Unit

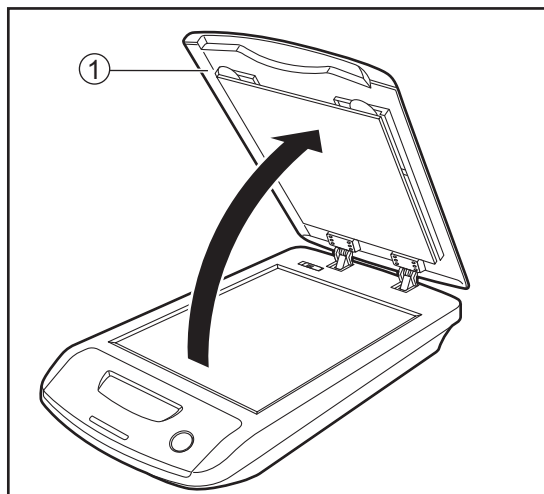
### About the installation location

- In order to ensure proper operation, install the unit maintaining the proper distances from surrounding objects, as shown in the following illustration.

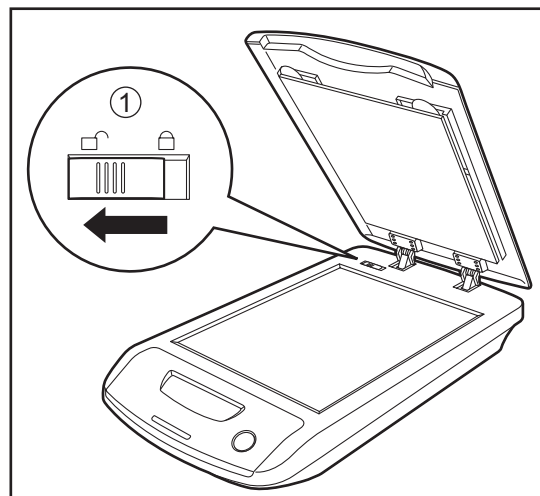


### Notice

- Do not move the unit immediately from a cold place to a warm place. It may cause dew.
- Remove all packing tapes.
  - Set the LOCK/UNLOCK selector to unlock.
    - Open the document cover (①).



- Slide the LOCK/UNLOCK selector (①) to the left to release the lock.



- Close the document cover.

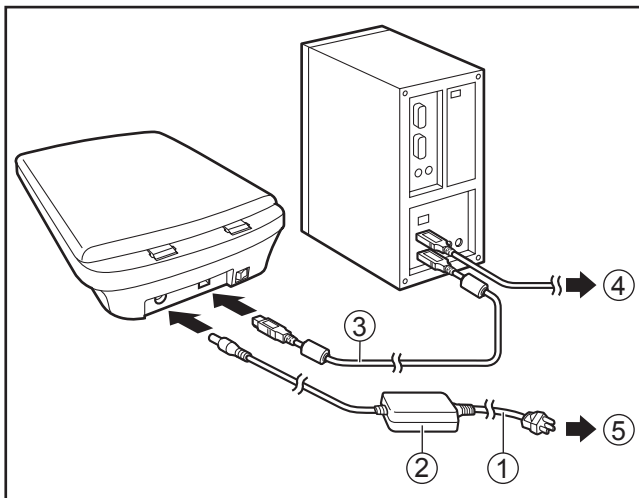
## Installation

---

3. Connect the power cord, AC adaptor, and the USB cable to the unit.

### Notice

- Use only the power cord, the AC adaptor, and the USB cable that are provided with the unit.
- Confirm that the scanner for connecting this unit is connected to the computer.
- Do not connect more than 1 flatbed scanner to the same computer.  
(Doing so can cause erroneous behavior on the computer.)



- ① Power cord
- ② AC adaptor
- ③ USB cable
- ④ To the scanner for connecting this unit
- ⑤ To the AC outlet

4. Install software (page 15).

# Installing Software

## System Requirements

<b>Computer</b>	IBM® PC/AT® or compatible machine with a CD-ROM drive
<b>CPU</b>	Pentium® III, 1 GHz or higher
<b>Operating System</b>	Windows 2000 / Windows XP / Windows Vista <sup>*1</sup>
<b>Interface</b>	USB 2.0
<b>Hard Disk</b>	5 GB or more of free space is required.

<sup>\*1</sup> Will not run on 64-bit versions.

### Note

- The above system requirements may not satisfy the requirements of all operating systems.
- The scanning speed differs depending on the host computer's operating environment or the application used.
- Due to the slower speed of USB 1.1, it is recommended to use a USB 2.0 interface.
- If you connect the unit to a USB hub, it is not guaranteed to work.

## CD-ROM Contents

Drivers	Device Driver
	TWAIN <sup>*2</sup>
	ISIS
Applications	RTIV <sup>*3</sup>
	QuickScan Pro Demo <sup>*4</sup>
Utilities	MCD <sup>*5</sup>
	User Utility
Manuals <sup>*1</sup>	Operating Instructions
	PIE Reference Manual <sup>*6</sup>
	RTIV Reference Manual
	User Utility Reference Manual
Others	Control Sheet <sup>*7</sup>
	Warranty Information (U.S.A. only)

<sup>\*1</sup> All manuals are in PDF format. To view manuals, Adobe® Reader® must be installed.

<sup>\*2</sup> There is no TWAIN application on this CD-ROM.

<sup>\*3</sup> RTIV (Reliable Throughput Imaging Viewer) is our original application software, and does not require either TWAIN driver or ISIS driver.

<sup>\*4</sup> There are some restrictions for QuickScan Pro due to being a trial version. In addition, when using QuickScan Pro, the ISIS driver is required. QuickScan Pro does not work with the 64-bit version of Windows.

<sup>\*5</sup> For details on how to use MCD, refer to PIE Reference Manual and RTIV Reference Manual.

<sup>\*6</sup> PIE is an acronym for Panasonic Image Enhancement Technology.

<sup>\*7</sup> The control sheets are stored as PDF files on the "Drivers & Utilities / Manuals" CD-ROM provided with the unit. To use them, print the control sheets the same size as the document to be scanned.

## Software Installation

Be sure to install the software from the CD-ROM included with this unit.

You can select from the 4 installation methods below, depending on your needs.

- a. **Complete:** Install all of the CD-ROM components.
- b. **All Drivers & Utilities:** Install all of the CD-ROM components except for applications.
- c. **Custom:** Install one of the drivers, utilities or manuals.
- d. **Application:** Select and install RTIV or the QuickScan Pro Demo.

### Notice

- Make sure to log on as an administrator to install the software.
  - Before installing, make sure to exit all running applications.
1. Turn the power switch to "○" (OFF) for both this unit and the scanner for connecting this unit.

2. Insert the included CD-ROM into the CD/DVD drive on your computer.
  - If you have a feature called "Autorun" activated, the installation process will start automatically.
  - The setup window will appear.

### Note

- If the AutoPlay dialog box is displayed in Windows Vista, select "CDRun.exe".
  - If the program does not start automatically, from [My Computer] ([Computer] in Windows Vista), select the CD/DVD drive, and then double-click "CDRun.exe".
3. Select the scanner for connecting this unit from the "Select Scanner" list.
  4. Select the desired installation methods from the "Installation" list on the left side of the screen.
    - If you selected [Complete] or [All Drivers & Utilities], continue to step 6.
    - If you selected [Custom], continue to step 5.
    - If you selected [RTIV] or [QuickScan Pro Demo] in "Application", continue to step 6.

5. If you selected [Custom] for the installation type in step 4, select the item that you want to install.
6. Follow the instructions on the screen.
  - In Windows Vista, if a window appears with the message "Windows can't verify the publisher of this driver software", continue with the installation by selecting "Install this driver software anyway".
7. Set the power switch of the scanner to "|" (ON) for both this unit and the scanner for connecting this unit (page 19).
  - If you installed a device driver, it is necessary to continue with the next step.
8. Follow the instructions of the hardware wizard to complete the installation.
  - The installation process is performed automatically in Windows Vista.

### Note

Continue with the installation even if a window appears with the message "Digital Signature was not found for this driver" or "has not passed Windows Logo testing...".



## Uninstalling Software

If you want to remove the software that is installed on your computer, follow the procedure below to uninstall them.

1. In Control Panel, open [Add or Remove Programs].
  - In Windows 2000, select [Add/Remove Programs], and in Windows Vista, select [Uninstall a program].

2. Select the item that you want to uninstall.
  - The software is displayed with the program names below:

Software	Program Name
Device driver	Panasonic High Speed Scanner Device Driver X.XX <sup>1</sup>
TWAIN	KV-S1025C KV-S1020C TWAIN Driver <sup>2</sup>
ISIS	KV-S1025C KV-S1020C ISIS Driver <sup>2</sup>
RTIV	RTIV
QuickScan Pro Demo	QuickScan 4.6 <sup>1</sup>
User Utility	Panasonic Scanner User Utility
MCD (Multi-color Dropout) Utility	MCD

<sup>1</sup> "X.XX" and the number that follows a program name are the software version. When you upgrade the software, the numbers above may be different from the actual software version.

<sup>2</sup> The name of the program varies with the model of the scanner connected to this unit.

3. Follow the instructions on the screen.

## Viewing Electronic Documentation

### Viewing Manuals from the CD-ROM

All manuals on the CD-ROM can be viewed using Adobe Reader.

1. Insert the included CD-ROM into the CD/DVD drive on your computer.
  - If you have a feature called "Autorun" activated, the installation process will start automatically.
  - The setup window will appear.

#### **Note**

- If the AutoPlay dialog box is displayed in Windows Vista, select "CDRun.exe".
- If the program does not start automatically, from [My Computer] ([Computer] in Windows Vista), select the CD/DVD drive, and then double-click "CDRun.exe".

2. Select your scanner model from the "Select Scanner" list.

3. Select a manual from the "Manuals" list on the right side of the screen.
  - The selected manual will open.

#### **Note**

- To view the electronic documentation, Adobe Reader must be installed on your computer. If your computer is connected to the Internet, you can download Adobe Reader by clicking the URL below "Download Adobe® Reader®". The URL is displayed in the "Manuals" list on the setup screen.

## Viewing Manuals Installed on Your Computer

All manuals installed on your computer can be viewed as follows.

### **Note**

- To install manuals on your computer, see page 16.
  - You can view the RTIV Reference Manual and the User Utility Reference Manual by clicking the help button on the software's operation screen.
1. On the [Start] menu, point to [All Programs], then [Panasonic], and select [Scanner Manuals].
    - If you are using Windows 2000, point to [Program] instead of [All Programs].
  2. Select the desired manual.
    - The selected manual will open.

## Uninstalling Manuals

If you want to remove manuals that are installed on your computer, follow the procedure below to uninstall them.

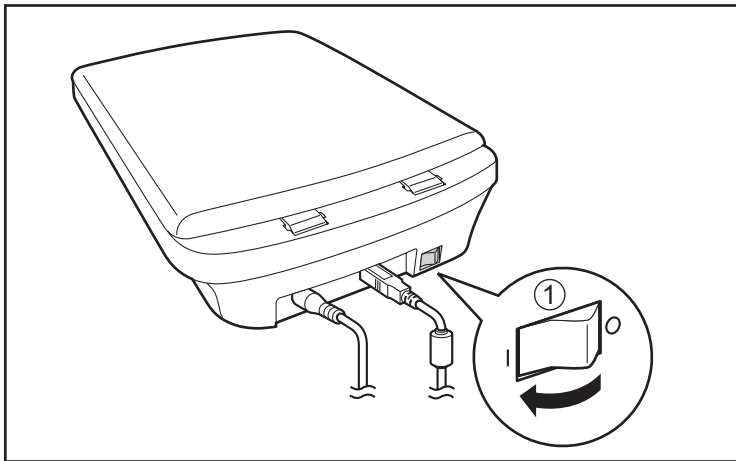
1. In Control Panel, open [Add or Remove Programs].
  - In Windows 2000, select [Add/Remove Programs], and in Windows Vista, select [Uninstall a program].
2. Select "Panasonic Scanner Manuals".
3. Follow the instructions on the screen.

## Turning on the Unit Power

### Notice

- Make sure that the scanner for connecting this unit is turned on. If it is not turned on, you cannot use this unit.
- During long periods of non-use, conserve power by unplugging the AC adaptor from the outlet. While plugged in, the AC adaptor consumes about 0.3 W of power.

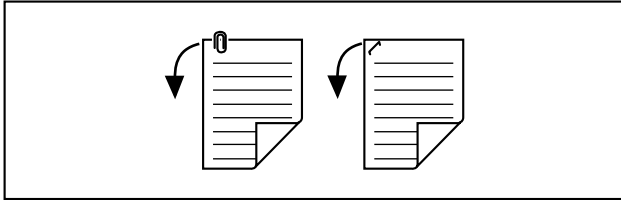
1. Set the power switch (①) of the unit to "I" (ON).
  - The LED (Green) lights.



# Scanning Documents

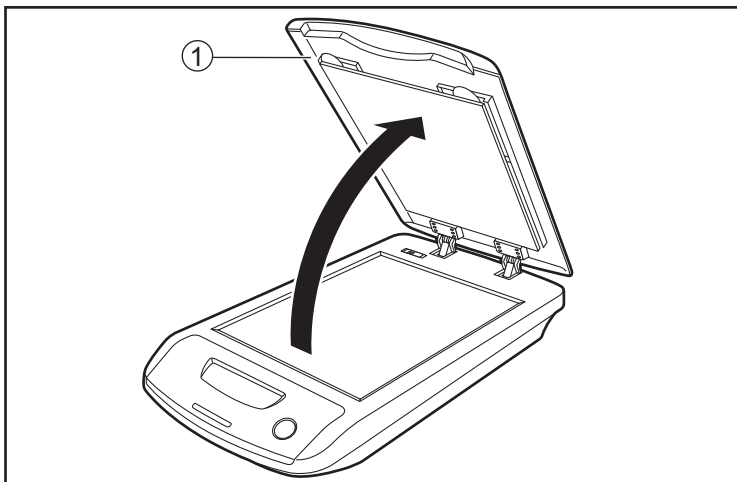
## Notice

- Make sure to remove paper clips and staples from documents before scanning. Failing to do so can damage the flatbed glass.

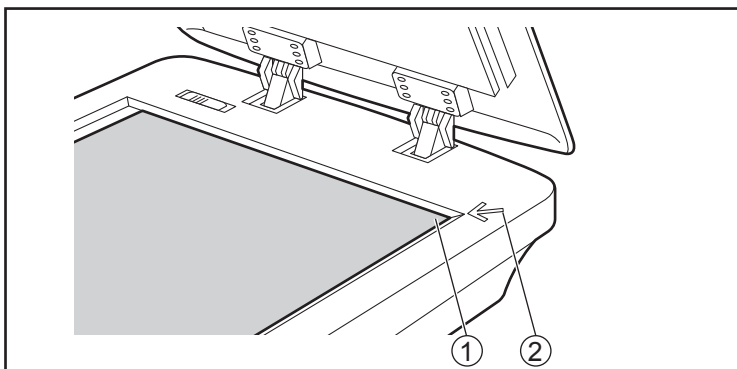


- If the document is folded or creased, smooth it out before placing it on the flatbed glass.

1. Open the document cover (①).



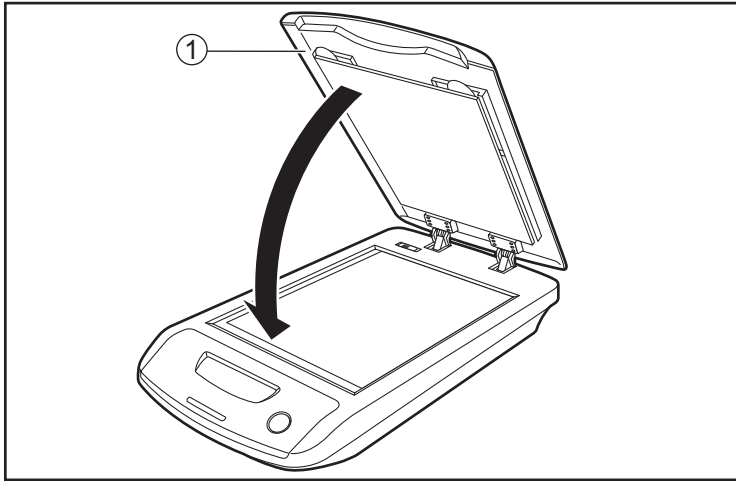
2. Place the document face down, and align the edge of the document (①) with the standard mark (②) in the upper right of the flatbed glass.



## Notice

- If the document is set crooked on the flatbed glass, it will not be scanned correctly.

3. Close the document cover (①) gently.

**Notice**

- Be sure to close the document cover before starting a scan.
- Do not close the document cover quickly or let it slam down. Also, do not open the document cover during scanning. (Doing so may move the document and prevent proper scanning.)
- After scanning, open the document cover and remove the document.

**Notes for scanning thickly bound documents**

- Please note that areas of the document that do not touch the flatbed glass will not be scanned properly.
- Do not move the document during scanning.

4. Open your scanning application<sup>\*1</sup> and scan the documents.

<sup>\*1</sup> The software RTIV and QuickScan Pro demo, included with the scanner, can be used for scanning the documents.

## Changing the Scan Background Color

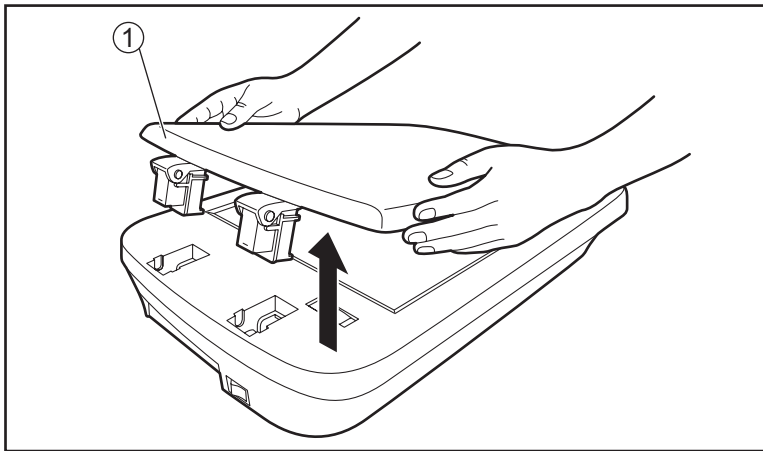
By reversing the flatbed sheet on the unit, you can change the scanning background color between black and white. The default setting is black.

When scanning documents like those listed below, set the flatbed sheet to white.

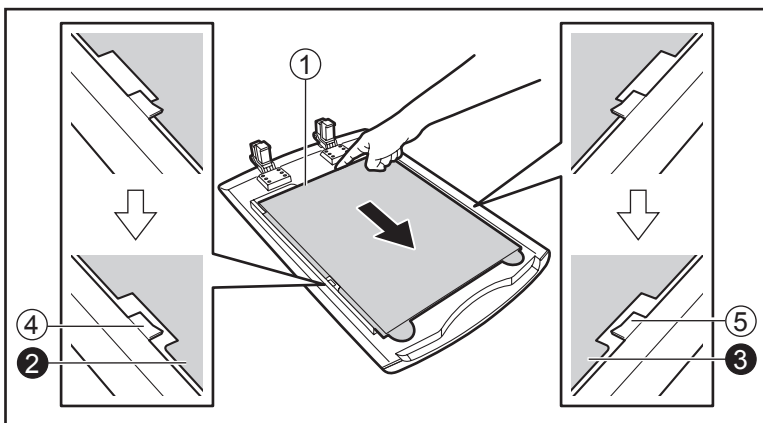
- Thin paper
- OHP sheet
- Plastic films, etc.

## Reversing the flatbed sheet

1. Lift the document cover (①) directly upwards, and remove it.



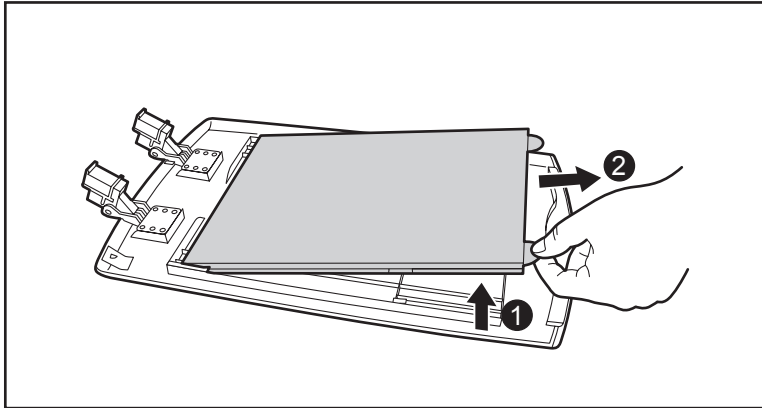
2. Turn the document cover over, and then push the center of the rear edge (①) of the flatbed sheet towards you with your finger.



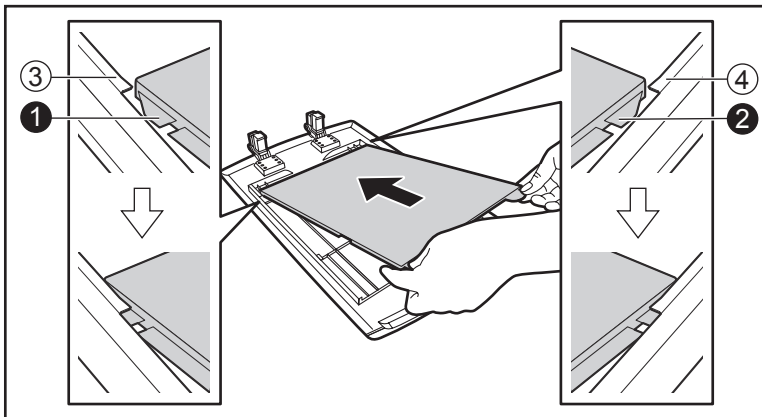
### Notice

- Confirm that the ears (②, ③) of the flatbed sheet are clear of the tabs (④, ⑤) of the document cover.

3. Slightly lift the front side of the flatbed sheet (❶) and pull it towards you (❷).



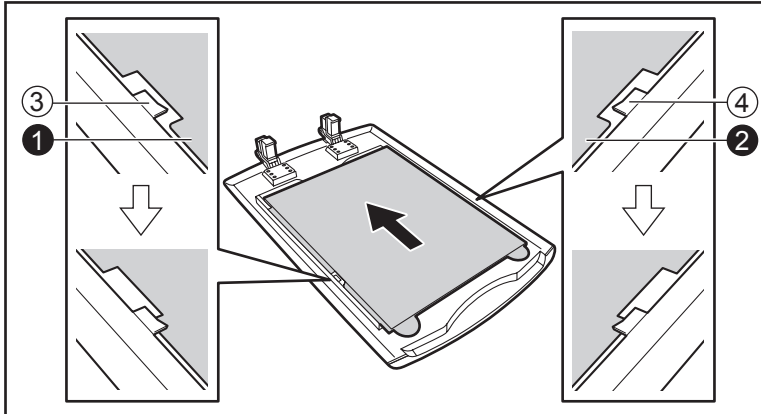
4. Reverse the flatbed sheet, and then place the tips of the ears of the flatbed sheet (❶, ❷) so that they fit under the tabs of the document cover (❸, ❹).



## Operation

---

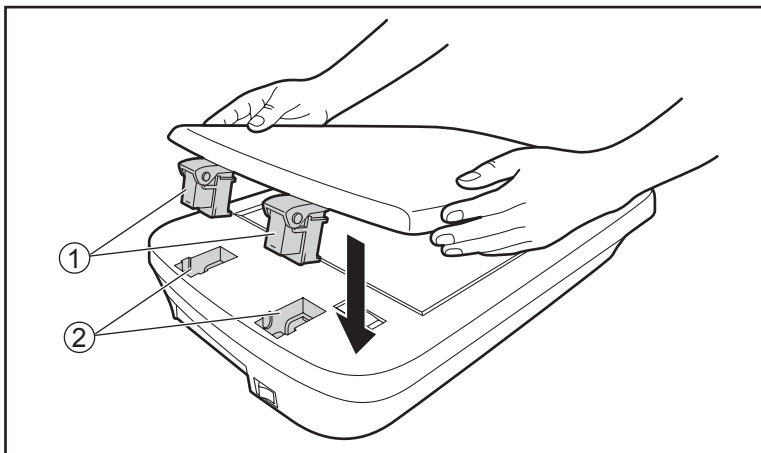
5. Push the flatbed sheet towards the rear while making sure that the ears of the flatbed sheet (①, ②) are under the tabs of the document cover (③, ④).



### **Notice**

- Confirm that the ears of the flatbed sheet are fastened to all 4 tabs.

6. Replace the document cover.
  - Push the hinges of the document cover (①) into the hinge mounting holes (②).





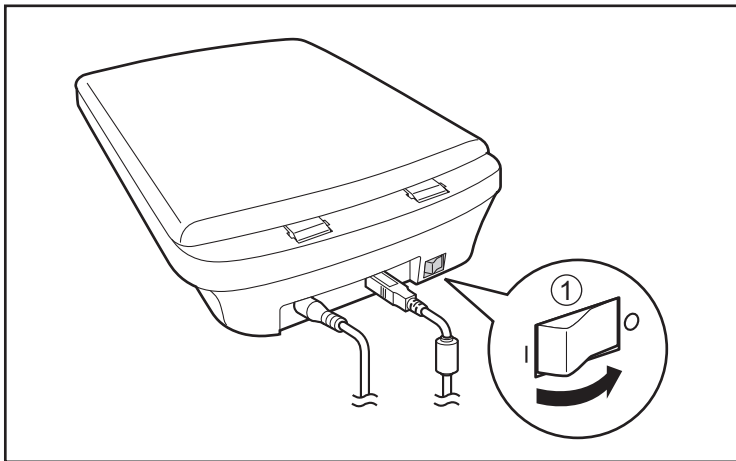
## Cleaning the Unit

Clean the outside of the scanner, the flatbed glass and the flatbed sheet.

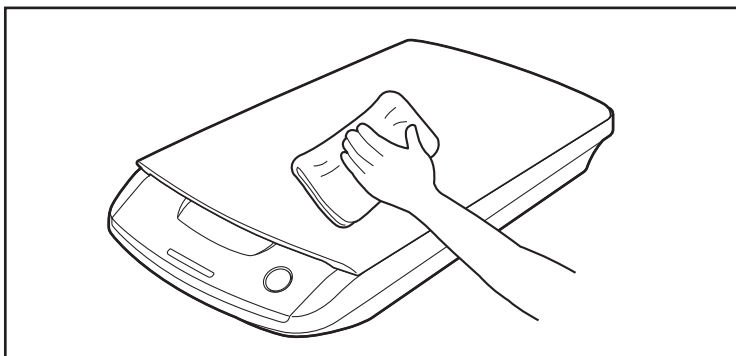
### Notice

- For spots that are difficult to remove, use neutral household cleaner diluted with water.
- Do not use thinner, benzine, or cleaners containing abrasives or surfactants, for cleaning the unit.
- If the documents you are scanning are dirty, then the flatbed glass will also become dirty. To maintain proper scanning, clean the flatbed glass frequently.

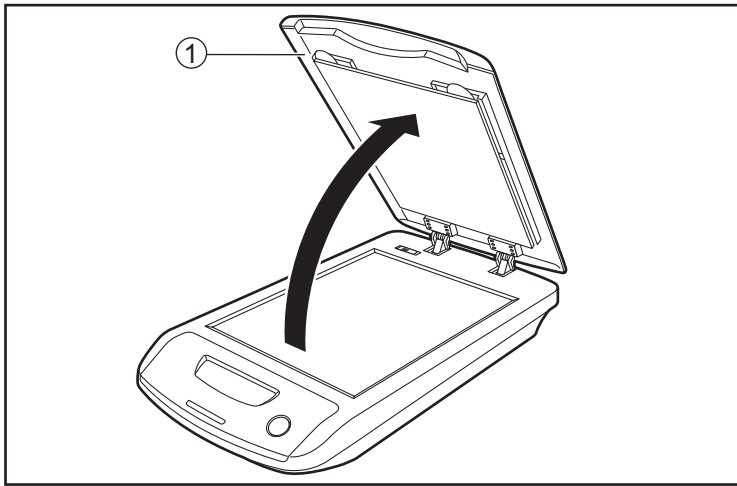
1. Set the power switch (①) of the unit to "○" (OFF).



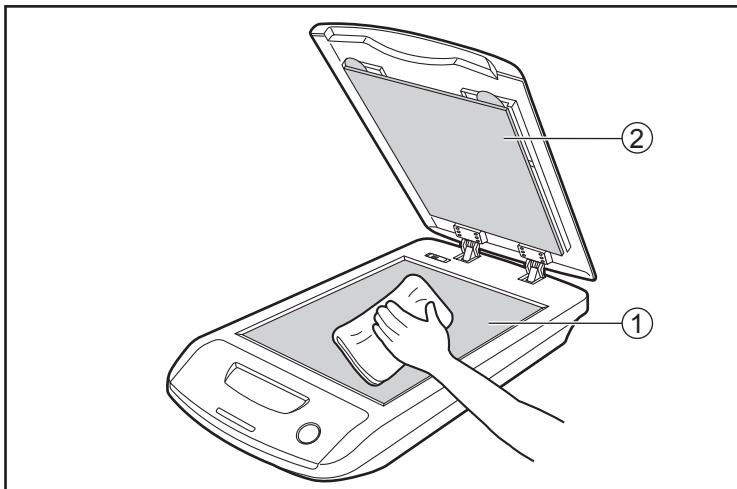
2. Clean the cover with a soft cloth.



3. Open the document cover (①).



4. Gently wipe the flatbed glass (①) and flatbed sheet (②) with a soft, moist cloth.



# Troubleshooting

If a problem occurs while the scanner is being used, check the following items and check the scanner status with User Utility. If the scanner still malfunctions, turn it OFF, remove the AC adaptor from the unit, and call for service.

Symptom	Possible Cause	Remedy
The LED (Green) does not light when the power switch is turned ON.	The power cord is not plugged in.	Insert the power plug firmly.
	Problem with power supply.	Disconnect the scanner from the electric outlet and call for service.
The computer does not recognize the scanner. The scanner is not functioning correctly.	This unit and the scanner for connecting this unit are not connected to the computer correctly.	Connect the USB cable correctly.
	The software is not installed correctly.	Uninstall the software from the computer, and then install the software again. (page 16)
	The USB interface of the computer is not installed correctly.	Check the computer whether the USB interface of your computer is installed correctly using the device manager's property.
	The scanner is connected via USB hub.	Do not connect via USB hub.
	There is a problem with the USB cable.	Be sure to use the included USB cable.
Scan speed is slow.	The scanner is connected over a USB 1.1 connection.	Connect over USB 2.0.
Scanned image is skewed.	The document to be scanned is set slanted on the flatbed glass.	Load the document correctly. (page 20)
The scanned document is blank.	The document to be scanned was loaded face up.	Load the document face down. (page 20)
Vertical lines appear on the scanned document.	The flatbed glass is dirty.	Clean the flatbed glass. (page 25)
The scanning density is uneven.		
Dark spots or noise appear on the scanned documents.		
The color of the scanned document is extremely different from the original document.	The settings of the computer monitor are wrong.	Adjust the computer monitor settings.

If you still experience problems after following these suggestions, please contact our Technical Support Department at 1-800-726-2797 for further assistance. (U.S.A. only)

# Repacking Instructions

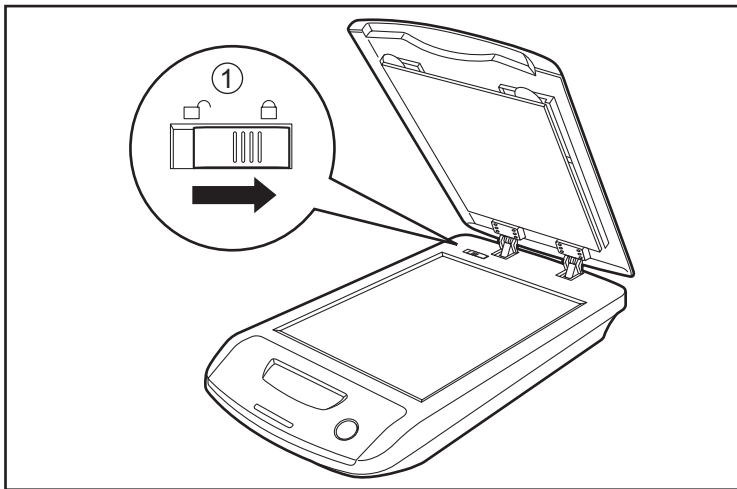
It is highly recommended that you keep the original carton and *ALL* packing materials. If you need to transport or ship the scanner, please follow these instructions.

## **Note**

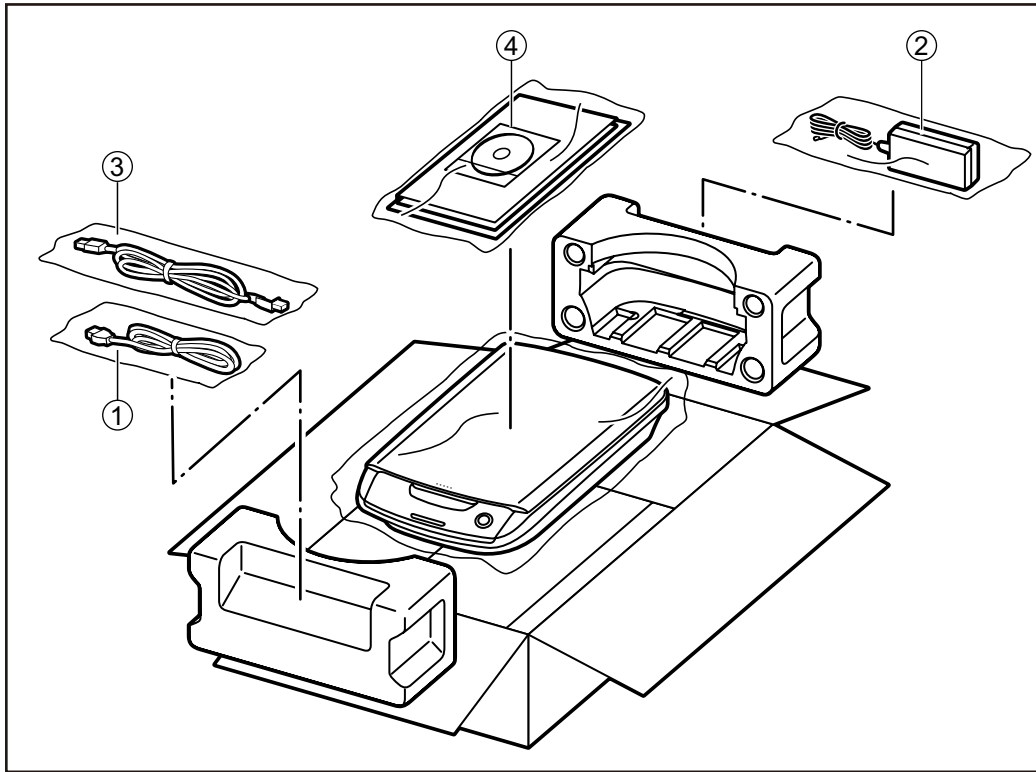
- Improper repacking of the scanner may result in a service charge to repair the scanner.
- Please use the original carton and all of the original packing materials.
- The scanner should be handled in the correct (horizontal) position.

## **Required Materials**

- Original scanner carton and packing materials
  - Shipping tape and scissors
1. Unplug the power cord from the outlet, and remove the AC adaptor and USB cable from the unit.
  2. Slide the LOCK/UNLOCK selector (①) to the right to engage the lock.



### 3. Pack the scanner.



- ① Power cord
- ② AC adaptor
- ③ USB cable
- ④
  - Drivers & Utilities / Manuals CD-ROM
  - Operating Instructions

# Specifications

Item		KV-SS080	
<b>Scanner</b>	Scanning face	Simplex scanning	
	Scanning method	CCD	
	Scanning speed <sup>*1</sup> (Binary, 300 dpi)	Letter: Approx. 5 sec/page A4: Approx. 5.3 sec/page	
	Scanning speed <sup>*1</sup> (Color, 300 dpi)	Letter: Approx. 5 sec/page A4: Approx. 5.3 sec/page	
	Resolution	100–600 dpi (1 dpi step) Optical: 600 dpi (Main and Sub feeding directions)	
	Tonal gradation	Binary, Grayscale (8 bit), Color, MultiStream: Binary & Grayscale, Binary & Color <sup>*2</sup>	
	Image control	Image emphasis, Dynamic threshold, Automatic separation, Invert, White level from paper	
	Scanning paper size (Width×Height)	Max. 216 × 297 mm (8.5 × 11.7 in.)	
<b>Unit</b>	External dimensions (Width×Depth×Height)	287 × 518 × 83.5 mm (11.3 × 20.4 × 3.29 in.)	
	Weight	3.4 kg (7.5 lbs.)	
	Power requirement	AC100–240 V, 50/60 Hz (AC adaptor)	
	Power consumption	Maximum (Scanning)	0.35 A (AC100–120 V) 0.2 A (AC220–240 V)
		Minimum (Standby)	0.25 A (AC100–120 V) 0.15 A (AC220–240 V)
		Sleep mode	3.5 W or less (AC100–120 V) 3.5 W or less (AC220–240 V)
When the power switch is OFF		0.3 W or less (AC100–120 V) 0.3 W or less (AC220–240 V)	
<b>Operating Environment</b>		Temperature: 15–30 °C (59–86 °F), Humidity: 30–80 % RH	
<b>Storage Environment</b>		Temperature: 0–35 °C (32–95 °F), Humidity: 10–80 % RH	

<sup>\*1</sup> The scanning speed differs depending on the host computer, operating system, application, the data quantity of the image, and paper type.

<sup>\*2</sup> Some features may not be available depending on the specifications of the scanner for connecting this unit.

# Index

## A

About the installation location 13  
 AC adaptor 11, 12, 14, 29  
 Accessories 11  
 Applications 15

## B

Background Color 22

## C

Cleaning the Unit 25  
 Computer 15  
 Connection 14  
 CPU 15

## D

Document cover 11  
 Documents  
   Scanning documents 20  
   Scanning paper size 30  
 Drivers 15  
 Drivers & Utilities / Manuals CD-ROM 11, 29

## E

Electronic Documentation  
   Uninstalling 18  
   Viewing Electronic Documentation 17  
 External dimensions 30

## F

Flatbed glass 11  
 Flatbed sheet 11, 22

## H

Hard Disk 15

## I

Image control 30  
 Interface 15

## L

LED (Green) 11, 12  
 LED (Red) 11, 12  
 LOCK/UNLOCK selector 11, 13

## M

Manuals 15

## O

Operating Environment 30  
 Operating Instructions 11  
 Operating System 15

## P

Power connector 12  
 Power consumption 30  
 Power cord 11, 12, 14, 29  
 Power requirements 30  
 Power switch 12, 19

## R

Repacking 28  
 Resolution 30

## S

Safety information 6  
 Scanning face 30  
 Scanning method 30  
 Scanning speed 30  
 Software  
   Installing 16  
   Uninstalling 17  
 Specifications 30  
 Start button 11  
 Storage Environment 30

## T

Tonal gradation 30  
 Troubleshooting 27

## U

USB cable 11, 12, 14, 29  
 USB connector 12  
 Utilities 15

## W

Weight 30

## Information on Disposal for Users of Waste Electrical & Electronic Equipment (private households)



This symbol on the products and/or accompanying documents means that used electrical and electronic products should not be mixed with general household waste.

For proper treatment, recovery and recycling, please take these products to designated collection points, where they will be accepted on a free of charge basis. Alternatively, in some countries you may be able to return your products to your local retailer upon the purchase of an equivalent new product.

Disposing of this product correctly will help to save valuable resources and prevent any potential negative effects on human health and the environment which could otherwise arise from inappropriate waste handling. Please contact your local authority for further details of your nearest designated collection point. Penalties may be applicable for incorrect disposal of this waste, in accordance with national legislation.

## For business users in the European Union

If you wish to discard electrical and electronic equipment, please contact your dealer or supplier for further information.

## Information on Disposal in other Countries outside the European Union

This symbol is only valid in the European Union.

If you wish to discard this product, please contact your local authorities or dealer and ask for the correct method of disposal.

## Things you should keep a record of:

### For your future reference

\_\_\_\_\_

Model number

\_\_\_\_\_

Serial number

\_\_\_\_\_

Dealer's name and address

\_\_\_\_\_

Dealer's telephone number

## Panasonic Communications Company of North America

### Unit of Panasonic Corporation of North America

One Panasonic Way, Secaucus, New Jersey 07094

## Panasonic Canada Inc.

5770 Ambler Drive, Mississauga, Ontario, L4W 2T3

## Panasonic Business Systems U.K.

### A Division of Panasonic U.K. Ltd.

Willoughby Road, Bracknell, Berkshire, RG12 8FP

## Panasonic Marketing Europe GmbH

Hagenauer Strasse 43, 65203 Wiesbaden, Germany

For information of Compliance with EU relevant Regulatory Directives, Contact to Authorised Representative:

Panasonic Testing Centre

Panasonic Marketing Europe GmbH

Winsbergring 15, 22525 Hamburg, Germany



(For EU only)

---

## Panasonic Corporation

Web Site: <http://panasonic.net>