

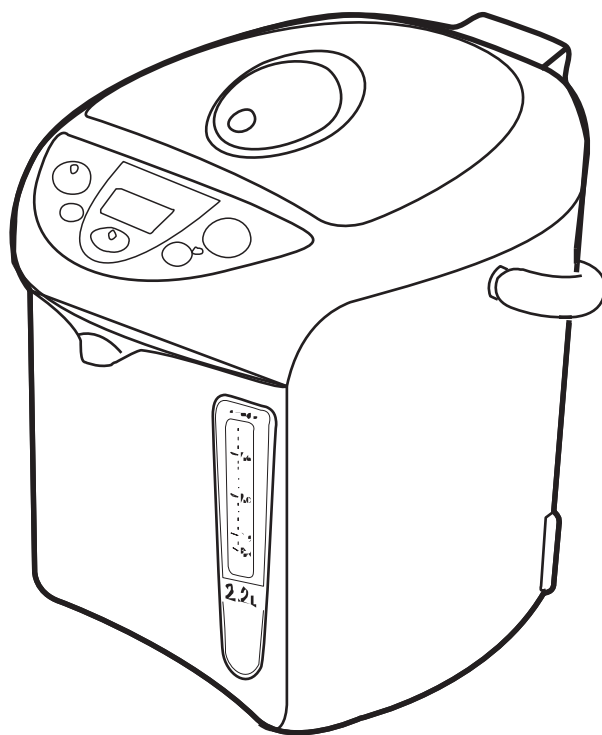
FILE No.



SERVICE MANUAL ELECTRONIC JAR POT

U-D30S

Product Code
NO.142479902
(USA)



Specifications

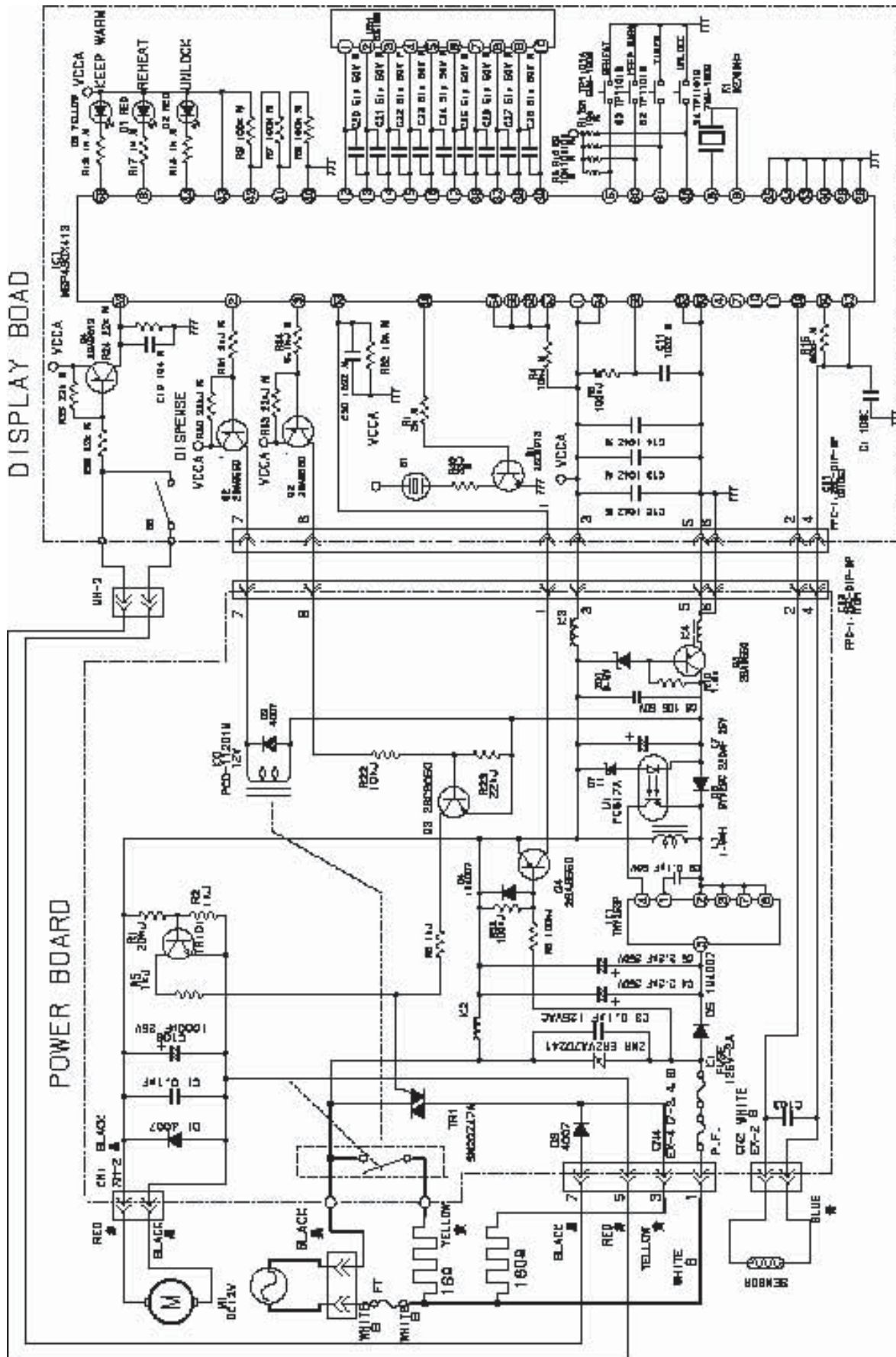
This model can be used in areas where the power frequency is 50Hz or 60Hz

Power source		AC 120V	
Power Consumption	Boiling	980W	
	Keep Warm	98°C	47Wh
		80°C	21Wh
Capacity		3.0 Liter	
Keep Warm Temperature		98°C/85°C/60°C	
Dimension		223×295×275 mm	
Weight		Approx 2.2 Kg	
Cord Length		Approx 1.5 m	

Specifications subject to change without notice

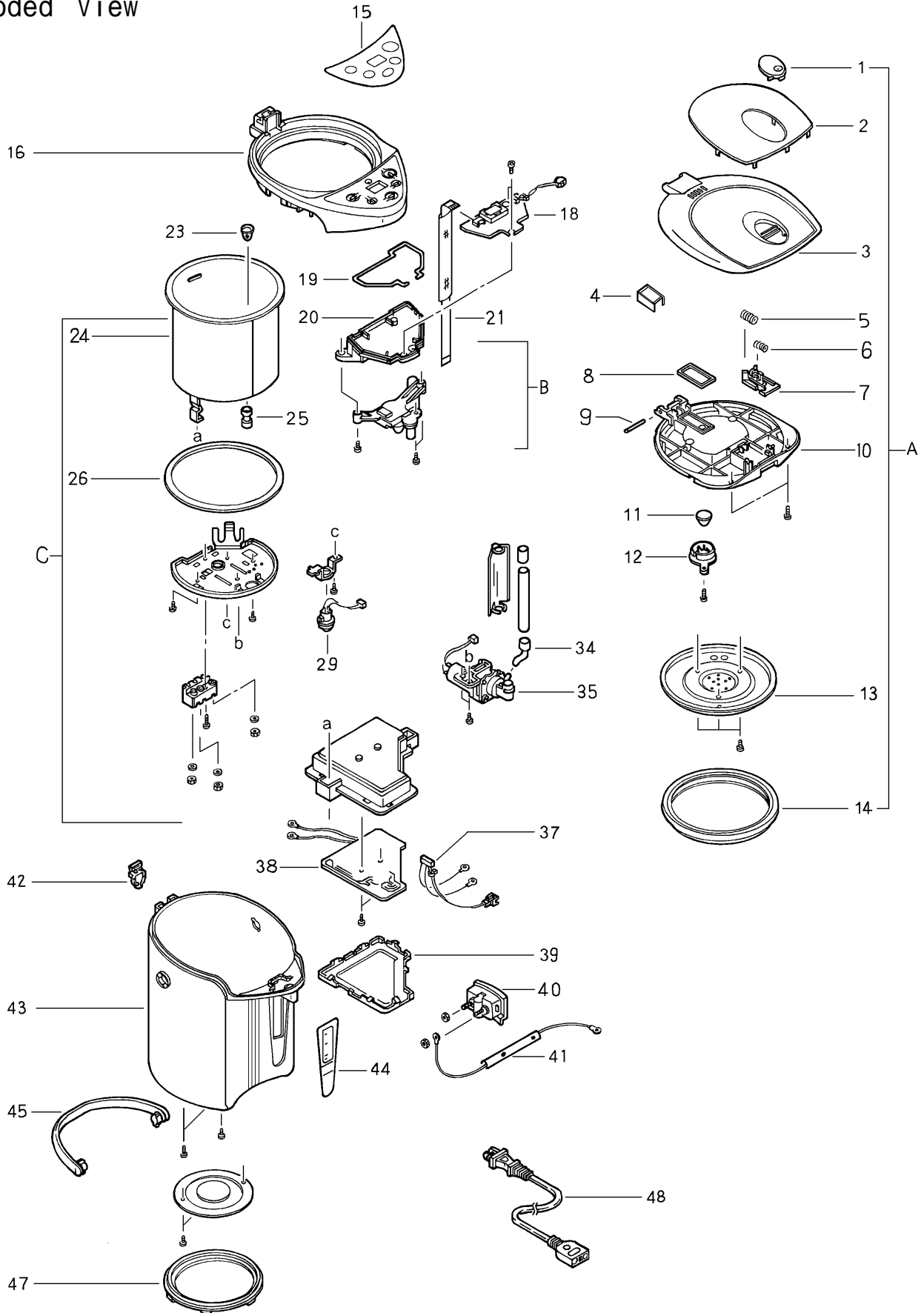
REFERENCE NO. SM0901101

Wiring Diagram



U-D225/305

Exploded View



Parts list

Note : The parts marked with \triangle have special characteristics of safety.

If the \triangle mark parts need replacement, use only SANYO specified parts.

U - D 3 0 S 120V 142479902

Key NO.	Part NO.	Description	Q' ty
A	DA 02Z10502	UPPER LID COMP	1
1	DA 02S15539	KNOB, (C)	1
2	DA 02W20502	UPPER LID, SUS	1
3	DA 02S15503	UPPER LID, (C)	1
4	DA 02S70550	STEAM COVER	2
5	DA 00B40001	SPRING, A	1
6	DA 00B40002	SPRING, B	1
7	DA 02S25509	FOOK	1
8	DA 02S70549	STEAM PACKING	1
9	DA 00B50020	SHAFT	1
10	DA 02S10504	UPPER LID COVER	1
11	DA 02W20530	WATERPROOF VALVE	1
12	DA 02S10506	WATERPROOF CAP	1
13	DA 02W20501	INSIDE LID	1
14	DA 02S70543	PACKING, INSIDE LID	1
15	DA 02Y40514	OPERATION NAMER	1
16	DA 02S15512	FRAME COVER	1
\triangle 18	DA 02D60533	PCB COMP, A	1
19	DA 02S70544	PACKING, MTG PLATE	1
20	DA 02S10514	MTG PLATE	1
21	DA 02D70545	LEAD WIRE, FLAT, 30S	1
B	DA 02Z10516	VALVE ASSY, FALL	1
23	DA 02W20513	FILTER	1
\triangle C	DA 02Z10521	VESSEL COMP, 30S	1
\triangle 24	DA 02Z10531	VESSEL ASSY, 30S	1
25	DA 02S70548	PACKING, PUMP	1
26	DA 02S70545	PACKING, VESSEL	1
\triangle 29	DA 02Z20514	THERMISTOR ASSY	1
34	DA 02S70547	PACKING, UNDER	1
\triangle 35	DA 02Z20522	PUMP ASSY	1
\triangle 37	DA 02D60548	LEAD WIRE ASSY, B	1
\triangle 38	DA 02D60530	PCB COMP, B	1
39	DA 02S10519	STAND, B	1
\triangle 40	DA 02D60506	TERMINAL ASSY	1
\triangle 41	DA 02Z20512	TEMP FUSE ASSY	1
42	DA 02S25516	KNOB, SHANK (C)	1
43	DA 02S15551	BODY, 30S	1
45	DA 02S15532	HANDLE, (C)	1
44	DA 02Y40538	COVER LABEL, 30S	1
47	DA 02S15529	ROLLING PLATE	1
\triangle 48	DA 02D70526	CORD ASSY	1
	DA 02Y10528	INST MANUAL	1
	DA 02Y30547	IND CORR CASE, 30S	1
	DA 02Y30550	OUTER CORR CASE, 30S	1

SANYO Electric Co., Ltd.
Osaka, Japan.