



Briggs & Stratton[®]
POWER PRODUCTS

5250 running
watts

Emergency Power GENERATOR

Illustrated Parts List Las Partes ilustradas Listan

Questions? Help is just a moment away!

Preguntas? La ayuda es justa un momento lejos!

Call: **Generator Helpline - 1-800-743-4115** M-F 8-5 CT

Llamada: **Generador Helpline - 1-800-743-4115** M-F 8-5 CT

web: www.briggsandstratton.com



01971
(5250W)

POWERED BY

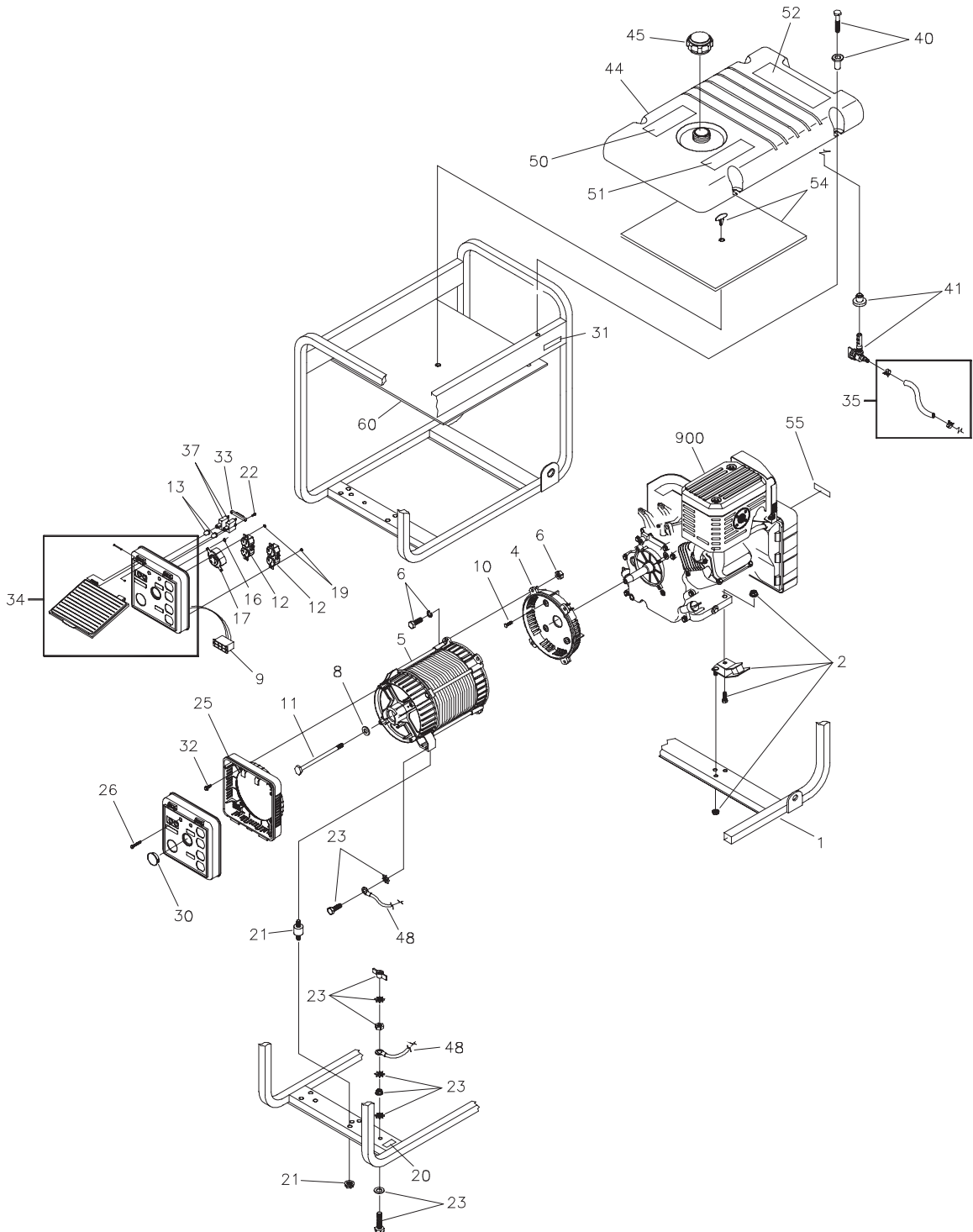


IPL No. 193449A
Revision 3 (08/25/2005)



BRIGGS & STRATTON POWER PRODUCTS GROUP, LLC
JEFFERSON, WISCONSIN, U.S.A.

EXPLODED VIEW - MAIN UNIT



PARTS LIST - MAIN UNIT

| Item | Part # | Description | Item | Part # | Description |
|------|-----------|--------------------------------|------|-----------|--|
| 1 | B194759GS | CRADLE | 37 | 75207GS | BREAKER, Circuit, 20A |
| 2 | 194150GS | KIT,Vibration Mount, 45° | 40 | 194398GS | KIT, Fuel Tank Hardware |
| 4 | 190220GS | HOUSING, Engine Adapter | 41 | 192980GS | KIT,Valve, Fuel |
| 5 | NSP | ASSY,Alternator (see page 4) | 44 | 194217GS | ASSY,Tank, Fuel (Includes Items 41, 50, 51 & 52) |
| 6 | 194151GS | KIT, Hardware Mounting Adapter | 45 | 90878GS | CAP, Fuel |
| 8 | 96796GS | WASHER | 48 | 186790EGS | WIRE, Ground |
| 9 | 22695GS | HOUSING, Receptacle | 50 | 188333GS | DECAL, Gas Fill |
| 10 | * | SBHCS, 3/8-16 x 1.0 Lg. | 51 | 194799GS | DECAL, Danger |
| 11 | 47480GS | HHCS, 5/16-24 x 7 | 52 | 189235GS | DECAL, Start Instructions |
| 12 | 68759GS | OUTLET, 120V, 20A | 54 | 194448GS | KIT, Insulation w/ Clip |
| 13 | 84198GS | CAP, Circuit Breaker | 55 | 191435GS | DECAL, Fuel Shut-off |
| 16 | * | NUT, Pal, 3/16 | 60 | 193452GS | SHIELD, Heat |
| 17 | 43437GS | OUTLET, 120/240V, 30A | 900 | § | ENGINE |
| 19 | * | NUT, Pal, 5/32 | | | |
| 20 | B4986GS | DECAL, Ground, Green | | | |
| 21 | 194153GS | KIT,Vibration Mount | | | |
| 22 | * | PPPHS, 3.5 x 18mm | | | |
| 23 | 194154GS | KIT, Grounding Hardware | | | |
| 25 | 191427GS | ADAPTER PANEL | | | |
| 26 | * | SCREW, M5 - 2.24 x 50 | | | |
| 30 | 191190GS | CAP | | | |
| 31 | 191436GS | DECAL, Hot Muffler | | | |
| 32 | 74908GS | TAPTITE, M5-0.8 x 10 | | | |
| 33 | 93857GS | BAR, Retaining | | | |
| 34 | 194152GS | ASSY, Panel Control | | | |
| 35 | 194265GS | KIT, Fuel Hose w/ Clamps | | | |

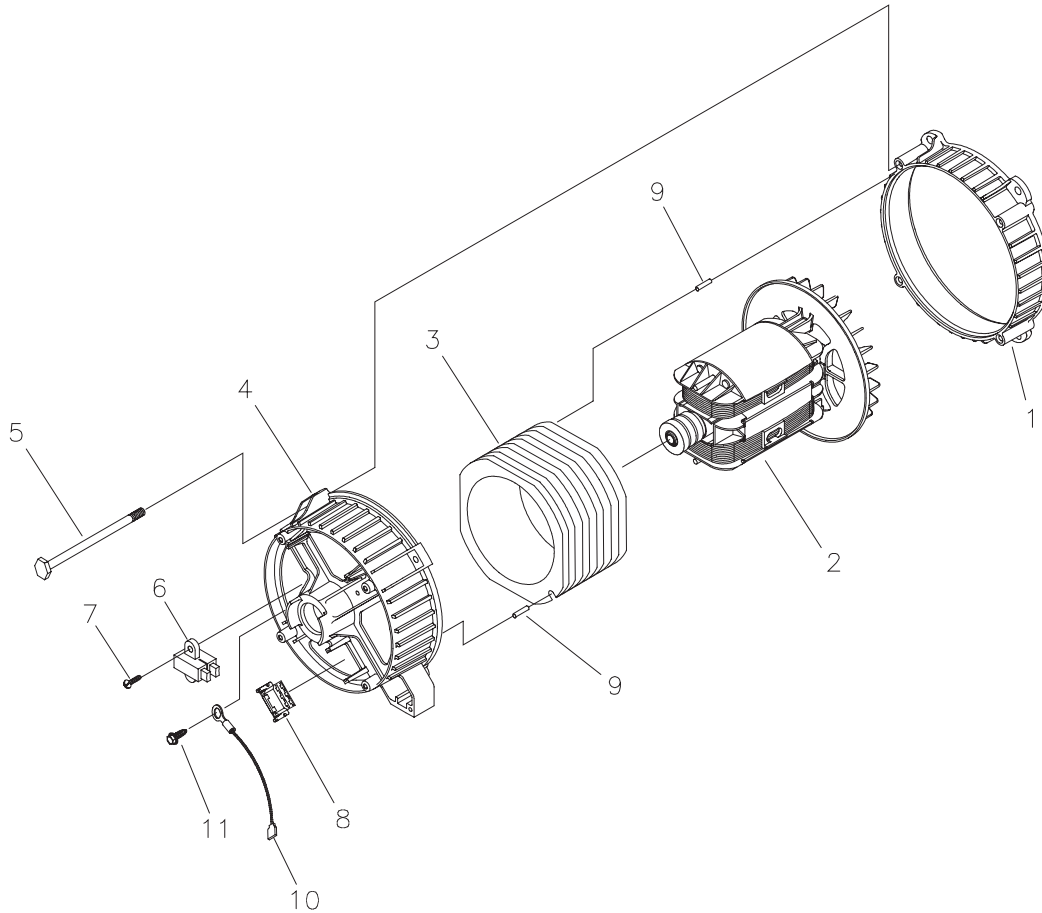
Parts Not Illustrated

| | |
|-----------|--------------------|
| 193449GS | MANUAL, Owners |
| MS6669 | MANUAL, Engine |
| BB3061BGS | BOTTLE, Oil |
| 188971GS | CORD, Ext. |
| 193552GS | KIT, Decal Service |
| 189208GS | FUEL STABILIZER |

* - Items without part numbers are common fasteners and are available at local hardware stores.

§ - Contact Engine Manufacturer

EXPLODED VIEW AND PARTS LIST - ALTERNATOR



| Item | Part # | Description |
|------|-----------|---------------------------------|
| 1 | 186059GS | ADAPTER, Mounting, Alternator |
| 2 | 193623GS | ROTOR |
| 3 | 191042AGS | STATOR |
| 4 | 186060GS | RBC, with O-Ring (p/n 189197GS) |
| 5 | 86308CGS | SCREW |
| 6 | 91825GS | ASSY, Holder, Rectifier/Brush |
| 7 | 66849GS | SCREW |
| 8 | 22694GS | RECEPTACLE, 6 pin |
| 9 | 81917GS | PIN, Roll |
| 10 | 193428AGS | ASSY, Wire, Ground |
| 11 | 74908GS | SCREW |