

# Electrolux Prostore

## 400 - 650 liter smart freezers

The Electrolux Prostore range is produced for the customer who needs refrigeration products suitable for gastronomic containers. Prostore has a highly effective cooling system with "hidden" evaporator that gives higher storage capacity and less corrosion problems. The product range comprises of 400 and 650 Lt models with full door in AISI 304 stainless steel. All the internal finishes are in stainless steel. The models detailed on this sheet are two freezers with capacity of 400/650 litres with smart electronic control.



691233

### MATERIALS

- Internal and external in stainless steel AISI 304 (back, external galvanized).
- Runners and supports in stainless steel easily disassembled (without any tool) for more convenient cleaning.

### EASY TO INSTALL

- All models require only 1 phase 220/240V supply. They can therefore be plugged straight into an existing power socket.

### EASY TO USE

- Automatic evaporation of the defrosting water by hot gas on the top.
- Designed to operate at ambient temperatures up to +43 °C.
- Hidden evaporator thus guaranteeing higher storage

capacity and less corrosion problems.

- Smart electronic control gives the following opportunities:
  - **Haccp incorporated** :when temperature exceeds critical limits it provides with an acoustic and visual alarm. All events are recorded displaying date and time of all events.
  - **Smart electronic defrost** : thus guaranteeing the defrost cycle only when it is necessary because ice in the evaporator is detected by a dedicate probe.
  - **Intelligence when failure** : when a probe breaks it remembers its performance of last 24h and continue to work. In this way food is safe and service can be called.
  - **Diagnostic**: four probes constantly control working

condition of the appliances.

- **Food categories** : depending by food stored it can be selected appropriate temperature and humidity just pushing a button.
- Self closing and reversible left/right doors.
- Door microswitch to stop the fan once the door is opened.
- Light as standard in all models. The glass door models are equipped with internal vertical light for a better illumination of the products.



**Electrolux**

**Electrolux Prostore  
400 - 650 liter smart freezers**

- Easy access to the main components for an easy maintenance.

**EASY TO MAINTAIN**

- Insulation thickness:60 mm to ensure effective insulation with minimum energy consumption.
- Door handle entirely in pressed stainless steel (without plastic) without joints gathering dust and dirt.
- Inner cell with rounded corners, bottom pressed in only one piece.

- Joints between side and bottom inner panels less than 0.5 mm (according to hygienic rules) in order to avoid the deposit of dirty residual that are origin of bacterial proliferation.

**EASY ON THE ENVIRONMENT**

- CFC and HCFC free environmentally friendly: R404a gas in refrigeration circuit. Gas in foam: Cyclopentane.

- Low noise level - less than 57 dB (A).

- Developed and produced in ISO 9001 and ISO 14001 certified factory.

	<b>PR04FE1F 691233</b>	<b>PR06FE1F 691234</b>
<b>TECHNICAL DATA</b>		
Operating temperature - min/max °C	-22/-15	-22/-15
Operating mode	Ventilated	Ventilated
External material panels	304 AISI	304 AISI
Gross capacity (D.I.N. 8952) - l.	430	650
Cooling unit	Built-In	Built-In
Control type	Electronic	Electronic
External dimensions - mm		
width	600	900
depth/with open doors	665, 1200	665, 1500
height	2112	2112
N° and type of door	1	1
Door hinges	Right Side	Right Side
N° and type of grids (included)	4, 530x400	5, GN 2/1
Compressor power - HP	1/2	1/2
Refrigerant type	R404a	R404a
Refrigerant quantity - g.	220	270
Refrigeration power - W	640	780
Refrigerant power at evaporation temperature - °C	-26	-26
Power - kW installed-electric	0.62	0.7
Net weight - kg.	115	130
<b>INCLUDED ACCESSORIES</b>		
PEDAL OPENING FOR REFRIGERATORS/FREEZERS	1	1
PLASTIC-COATED GRID 530x400	4	
PLASTIC-COATED GRID GN 2/1		5
<b>ACCESSORIES</b>		
1/1 GN RILSAN STEEL WIRE BASKET H=150 MM	881043	
BASE FRAME TO SUPPORT TRAY RACK	880078	
GRID FOR WINE BOTTLES PROSTORE 650/1400		880167
KIT HACCP ADV.CONNECTION-REF.ELECTRONIC	880090	880090
KIT HACCP EKIS	922166	922166
PAIR OF RUNNERS FOR PROSTORE REFR.	880558	880558
PEDAL OPENING FOR REFRIGERATORS/FREEZERS	880172	880172
PLASTIC-COATED GRID 530x400	880307	
PLASTIC-COATED GRID GN 2/1		880306
S/S GRID GN 2/1 FOR PROSTORE		880160
STAINLESS STEEL GRID 530x400	880162	

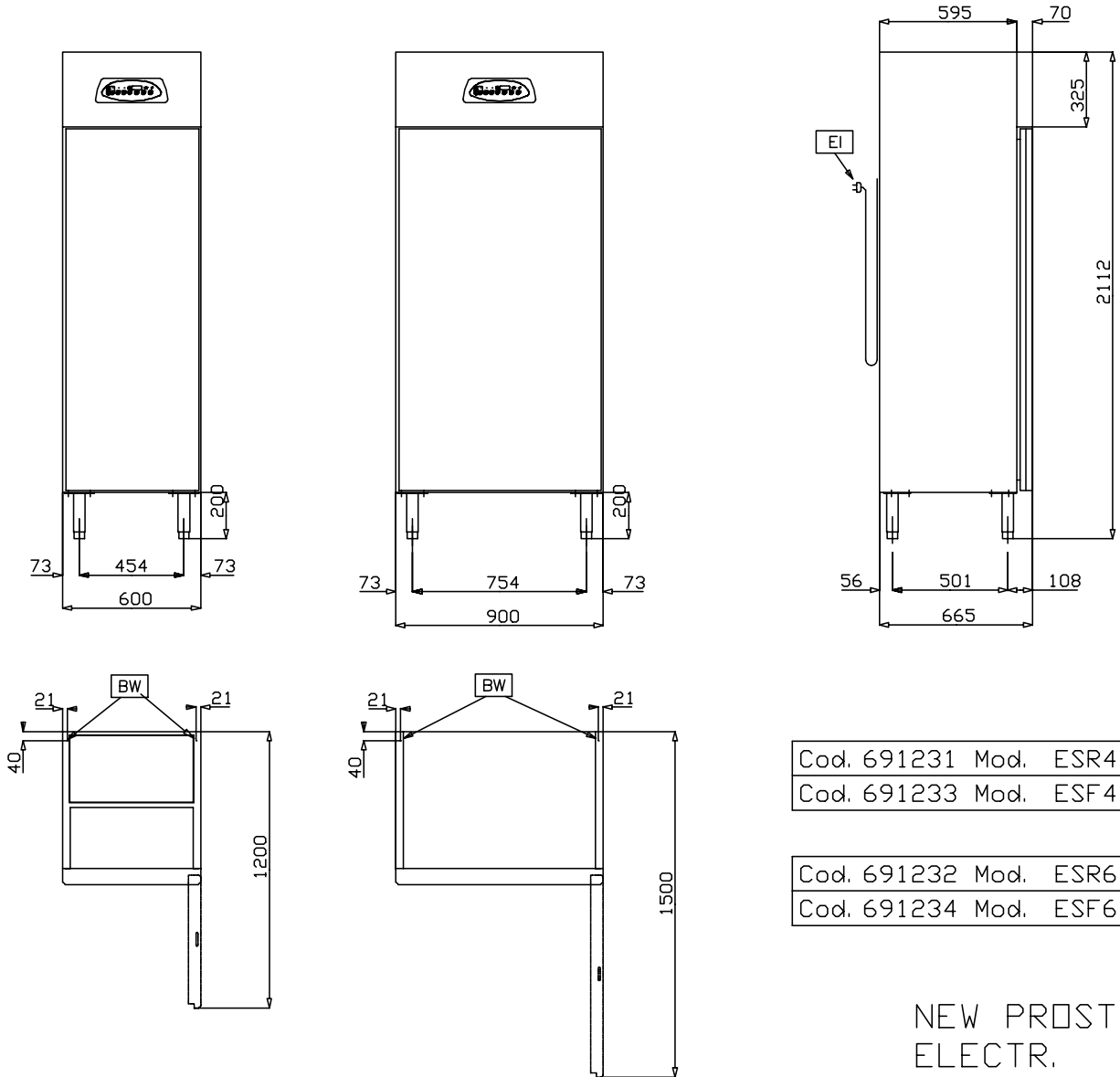
HAHA020

2009-10-06

Subject to change without notice

**Electrolux Prostore  
400 - 650 liter smart freezers**

691233, 691234



HAHA020

2009-10-06

Subject to change without notice

	<b>PR04FE1F 691233</b>	<b>PR06FE1F 691234</b>
<b>LEGEND</b> EI - Electrical connection	230 V, 1N, 50	230 V, 1N, 50