

SMART TEMP® UNIVERSAL 5/2-DAY PROGRAMMABLE OR NON-PROGRAMMABLE THERMOSTAT

(FOR BOTH CONVENTIONAL AND HEAT PUMP SYSTEMS)

INSTALLATION AND OPERATING INSTRUCTIONS

52135

IMPORTANT!

- Please read all of these instructions carefully before beginning installation.
- Label every wire terminal designation on your existing thermostat wiring before removing your old thermostat.
- Ignore the color of the wires since they may not comply with any standard. Please connect wires using the terminal letter designations.

Thank you for your confidence in our product. To obtain the best results from your investment, please read and follow the installation procedures carefully, and one step at a time. This will save you time and minimize the chance of damaging either the thermostat or possibly your heating and cooling system. These instructions may contain information beyond that which may be required for your particular installation.

CAUTIONS AND WARNINGS	2	FRONT PANEL ITEMS	17
SYSTEM COMPATIBILITY	3	SYSTEM CONFIGURATION AND SETUP	
FEATURES	4	OPTIONS	19
TOOLS YOU MAY NEED	4	OPERATING INSTRUCTIONS	21
MOUNTING LOCATION	5	TEMPERATURE PROGRAMS	23
REMOVE OLD THERMOSTAT	5	ADVANCED FEATURES	24
INSTALL THERMOSTAT BASE	6	BATTERY REPLACEMENT	28
WIRING INFORMATION	6	TECHNICAL ASSISTANCE	29
WIRING DIAGRAMS	8	LIMITED WARRANTY	29
COMPLETE THE INSTALL	17	MERCURY NOTICE	30

WARNING: Use Energizer® or DURACELL® Alkaline Batteries Only.

Energizer® is a registered trademark of Eveready Battery Company, Inc.

DURACELL® is a registered trademark of The Procter & Gamble Company

CAUTIONS AND WARNINGS:

- This thermostat requires batteries to operate and failure or sub-standard performance of the batteries may impair or prevent the correct operation of the thermostat. Use Duracell® or Energizer® alkaline batteries ONLY for all LUXPRO thermostats requiring batteries. BE SURE TO CHANGE THE BATTERIES AT LEAST ONCE A YEAR, or whenever you see the LO BATT indication on the screen. Failure to follow these battery instructions could result in property damage and/or personal injury.
- The electrical rating for this thermostat is 1.5 Amps per terminal, with a maximum total load of 3.0A for all terminals combined.
- The thermostat contains parts that may wear out through use and are susceptible to failure if over-loaded or used in a manner other than as indicated in the documentation.
- Check unoccupied residences regularly to ensure that all systems are operating properly.
- Check any heating/air-conditioning system including this product before operation and at regular intervals.
- Electrical interference, static electricity, failure or substandard performance of batteries, wiring defects in the installation and/or characteristics of the connected HVAC devices may prevent the system from regulating heating and cooling as anticipated.
- The thermostat is a sensitive device and dropping the product can cause damage to critical components. If the product is dropped or shaken violently during transport or installation then it should be replaced immediately.
- Persons with physical or mental limitations may not be able to promptly respond to a malfunction of the heating/air-conditioning system.
- All residents should be made aware of the potential in any system for malfunctions that could cause continuous heating or cooling and should be familiar with the operation and location of the heating/cooling appliance on/off switch.
- Read the instruction manual completely before installing the thermostat. You should consult a qualified HVAC technician or an electrician if you do not fully understand the installation instructions.

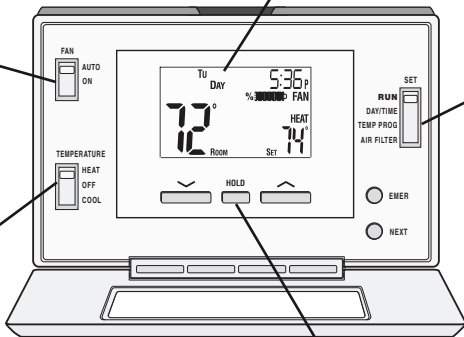
P521Ua

LCD Display Screen

Fan Mode Switch

Set Slide Switch

System Mode Switch



UP, DOWN and HOLD Buttons

SYSTEM COMPATIBILITY:

The electrical rating for this thermostat is 1.5 Amps per terminal, with a maximum total combined load of 3.0A for all terminals combined.

COMPATIBLE WITH:

- Most 24-volt heating and cooling systems
- 1 or 2 stage Heat / 1 stage Cool: Gas, Oil or Electric systems
- 1 or 2 stage Heat / 1 stage Cool: Heat Pump systems
- 3-wire hydronic (hot water) zone valves
- Gas Millivolt heaters

NOT COMPATIBLE WITH:

- 120/240 VAC line-voltage systems (without a transformer), ask your LUXPRO dealer for thermostats to control these systems.

FEATURES:

- 1 or 2-Heat / 1-Cool, 5/2-day programming
- Universal Compatibility for all system types
- Weekdays and Weekends can be programmed separately
- Exclusive LUX® Speed Slide™ for easy programming
- User-selectable periods per day (2 or 4)
- User-selectable programmable or non-programmable operation
- LuxLight® EL (Electro-Luminescent) lighted display
- Programmable air filter life timer
- Keypad lockout for unauthorized users
- Manual temperature hold
- Temporary temperature override
- Adjustable temperature differential / cycle-rate
- Adjustable 2nd heat stage Offset setting
- User temperature calibration
- Adjustable heat/cool set temperature limit stops
- Smart recovery
- Dual-powered (battery and/or 24-volt system powered)
- Battery-free memory storage
- F/C temperature display
- 12/24-hour clock display
- 5/2-minute selectable time delay for equipment protection

TOOLS YOU MAY NEED:

- Screwdrivers
- Wire Stripper
- Wire Cutter
- Drill with assorted drill bits (new installations only)

MOUNTING LOCATION:

On replacement installations, mount the new thermostat in place of the old one unless the conditions listed below suggest otherwise. On new installations, please follow these general guidelines:

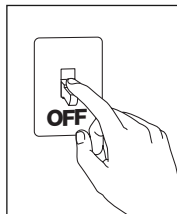
1. Mount the thermostat on an inside wall, about 5 ft. (1.5m) above the floor.
2. Do not locate the thermostat where air circulation is poor such as in a corner, alcove, or behind a door that is normally left open.
3. Do not locate the thermostat where unusual heating or cooling conditions may be present, such as: direct sunlight, above a lamp, television, or radiator, or on a wall next to an exterior door or window.
4. Do not locate in a damp environment, as this can lead to corrosion that may shorten thermostat life.
5. If painting or construction work is still ongoing, cover the thermostat completely or wait until this work is complete before installation.

WARNING:

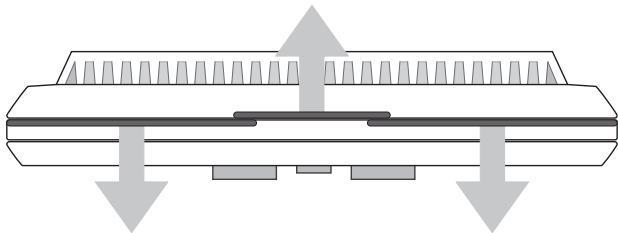
All wiring must conform to the local codes and ordinances that are in your particular location.

REMOVE OLD THERMOSTAT:

1. Turn OFF the electricity to all heating and cooling components. Do not turn the electricity back on until all work is completed.
2. Remove the front portion of your old thermostat to expose the wiring connections.
3. Write down the letters printed near each wire terminal that is used, and also the color of each wire that is connected to it. Self-adhesive wire labels are also enclosed.
4. Carefully remove the wires one at a time, and bend them in a manner so that they do not fall back inside the wall. Do not allow bare wire ends to touch each other.
5. Loosen the mounting screws for the old thermostat and carefully remove it from the wall.



INSTALL THERMOSTAT BASE:



THERMOSTAT TOP VIEW

1. Strip wire insulation leaving only 3/8 in. (9.5mm) bare wire ends, and clean off any corrosion present.
2. Fill the wall opening with non-combustible insulation to prevent drafts from affecting the thermostat's normal operation.
3. Separate new thermostat housing using your thumb and index finger. Provide pressure in opposite directions to the release tabs on the top of the housing, in the directions shown in the diagram shown above.
4. Route the wires through the opening in the new thermostat base plate, and hold the base against the wall. Try to line up the screw holes from the prior thermostat, and install the mounting screws.
5. If the previous holes cannot be used, hold the thermostat base against the wall so that it appears straight and level (position the base for best appearance) and mark for the new screw holes. Attach the base to the wall using the screws provided (use the supplied plastic anchors if needed when mounting to a soft material such as drywall).

WIRING INFORMATION:

CONNECTING THE WIRES:

When attaching the wires to the thermostat, please ensure that the bare wire ends are held ALL the way into the terminal block while the screw is being tightened.

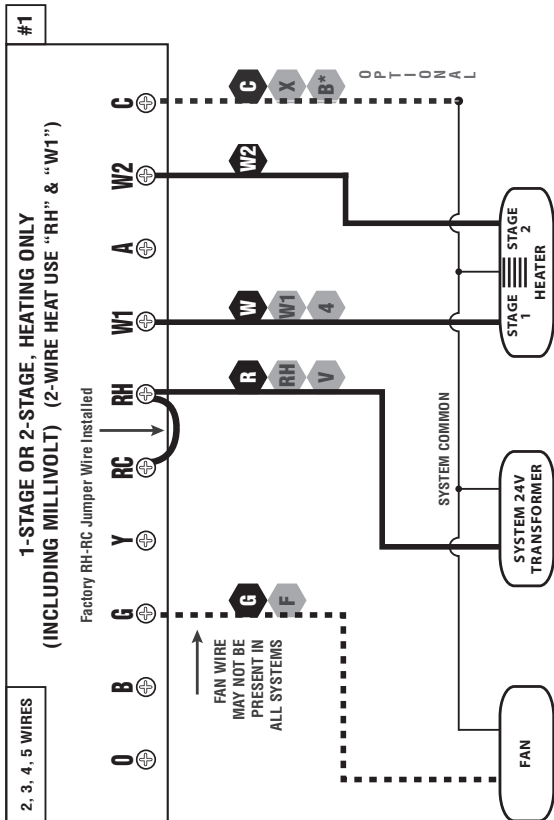
WIRING DIAGRAM NOTES:

(Important, please read all notes before connecting wires)

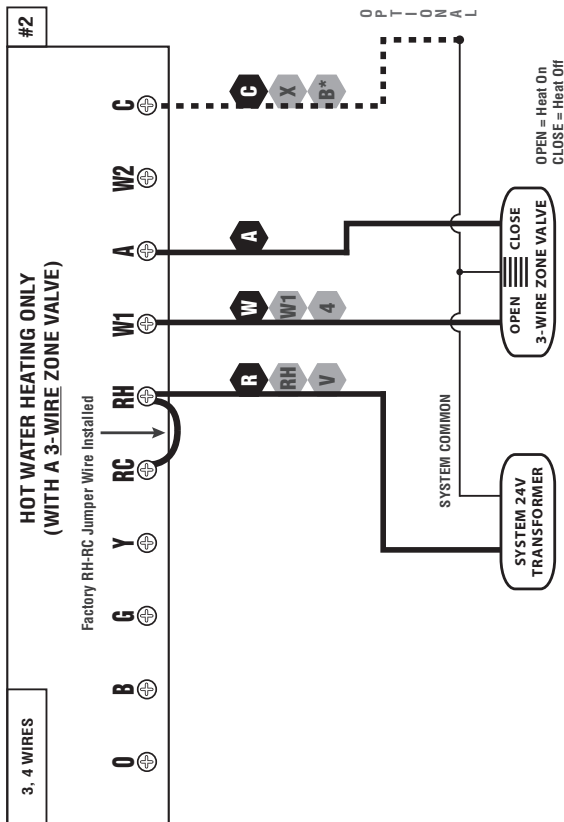
- If the information provided in the following wiring diagrams does not clearly represent or match your system, please refer to the “TECHNICAL ASSISTANCE” section of this manual, and contact us **before** removing any of your existing thermostat wiring.
- All of the dashed wires shown in the wiring diagrams are either optional, or their usage depends upon your specific system type or brand. For example: Diagram #1 shows the fan wire as optional. If your system does not have a fan, than this terminal will not be used.
- Terminal letters shown in black represent typical wiring applications. Depending upon the brand of your specific system or thermostat, your terminal letters may not match exactly. Terminal letters shown in gray represent other possible wiring designations that you might see on your existing thermostat terminals.
- The optional “C” terminal is used for powering the thermostat by the 24-volt system, using the System Common wire. This can be used alone, or in addition to installing batteries as a backup. NOTE: connecting the System Common wire to the thermostat is not necessary for heating and cooling to function properly.
- If your old thermostat has both a “Y” and “C” wire both present, then “C” is most likely a System Common wire.
- For Heat Pump systems, you will use either the “O” terminal or the “B” terminal on this thermostat, but not both. If your old thermostat has both an “O” and a “B” wire present, then “B” is likely a System Common wire and may be connected to the “C” terminal. Connecting a System Common wire to this thermostat’s “B” terminal may damage the thermostat, and also your heating and cooling system.
- Some Heat Pump systems have a wire for AUX electric heat (usually W2), and also a separate wire for Emergency electric heat (usually E). This thermostat uses the W2 terminal for both AUX and Emergency Heat. Tape off your “E” wire, and confirm that all components function without it.
- If replacing an old thermostat that has a mechanical clock, there may be **two** wires labeled as “C” for the clock power. Tape off these wires and do not connect them to the “C” terminal of this thermostat.

WIRING DIAGRAMS:

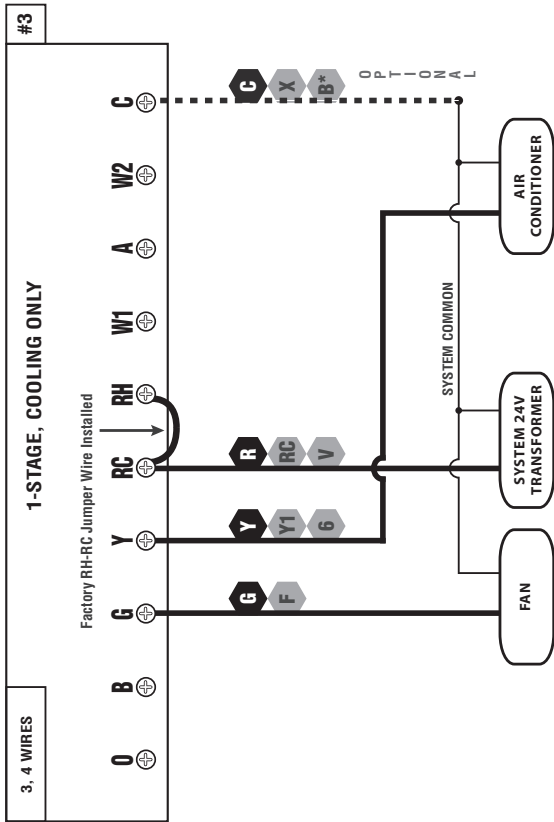
DIAGRAM	SYSTEM TYPE / DESCRIPTION	PAGE #
#1	CONVENTIONAL: HEATING9 1-STAGE OR 2-STAGE 2, 3, 4, 5 WIRES	
#2	CONVENTIONAL: HEATING10 3-WIRE ZONE VALVE 3, 4 WIRES	
#3	CONVENTIONAL: COOLING11 1-STAGE 3, 4 WIRES	
#4	CONVENTIONAL: HEATING AND COOLING12 1-STAGE HEAT 4, 5 WIRES	
#5	CONVENTIONAL: HEATING AND COOLING13 2-STAGE HEAT 5, 6 WIRES	
#6	CONVENTIONAL: HEATING AND COOLING14 TWO-TRANSFORMERS 5, 6 WIRES	
#7	HEAT PUMP: HEATING AND COOLING15 SINGLE-STAGE ONLY 4, 5 WIRES	
#8	HEAT PUMP: HEATING AND COOLING16 WITH AUX / EMERGENCY HEAT 5, 6 WIRES	



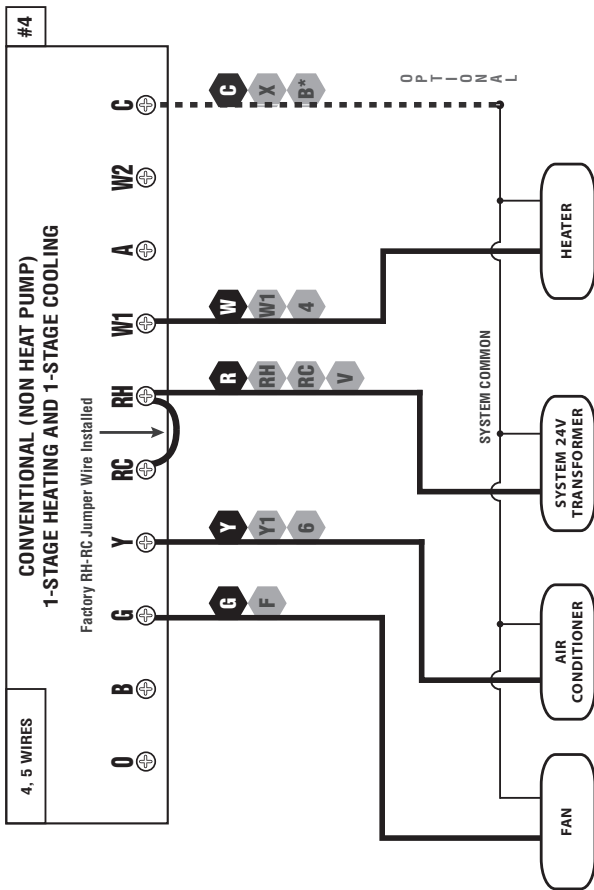
NOTE: THE BLACK TERMINAL LETTERS ARE TYPICAL, GRAY TERMINAL LETTERS ARE BRAND SPECIFIC



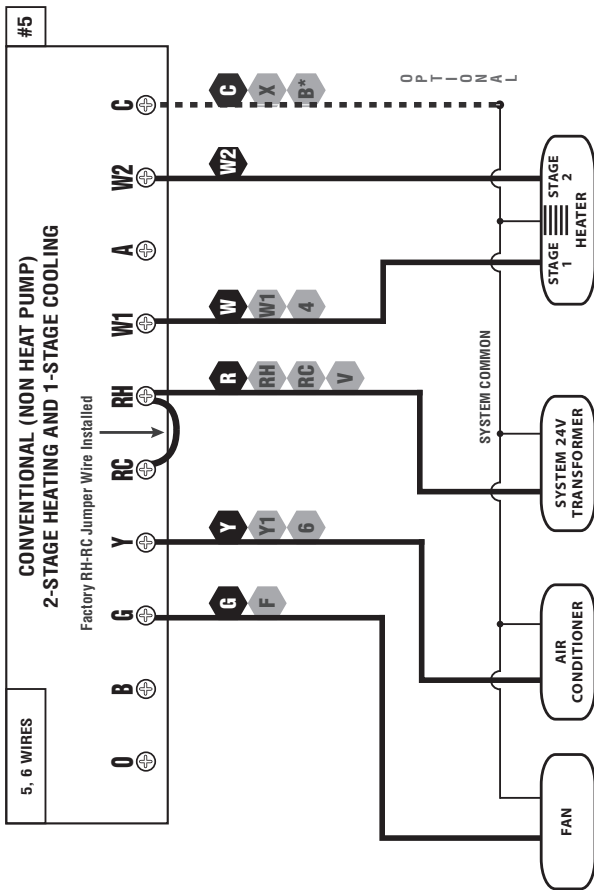
NOTE: THE BLACK TERMINAL LETTERS ARE TYPICAL, GRAY TERMINAL LETTERS ARE BRAND SPECIFIC



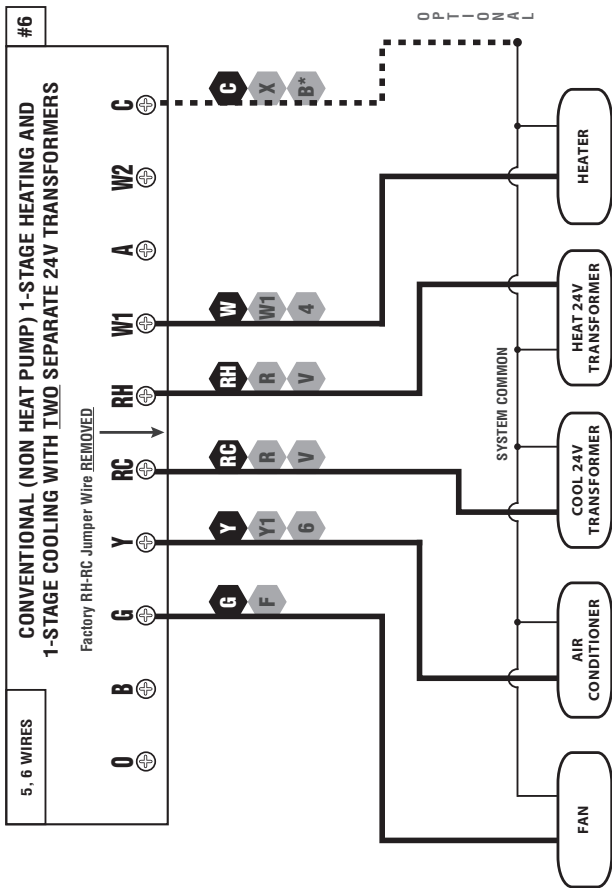
NOTE: THE BLACK TERMINAL LETTERS ARE TYPICAL, GRAY TERMINAL LETTERS ARE BRAND SPECIFIC



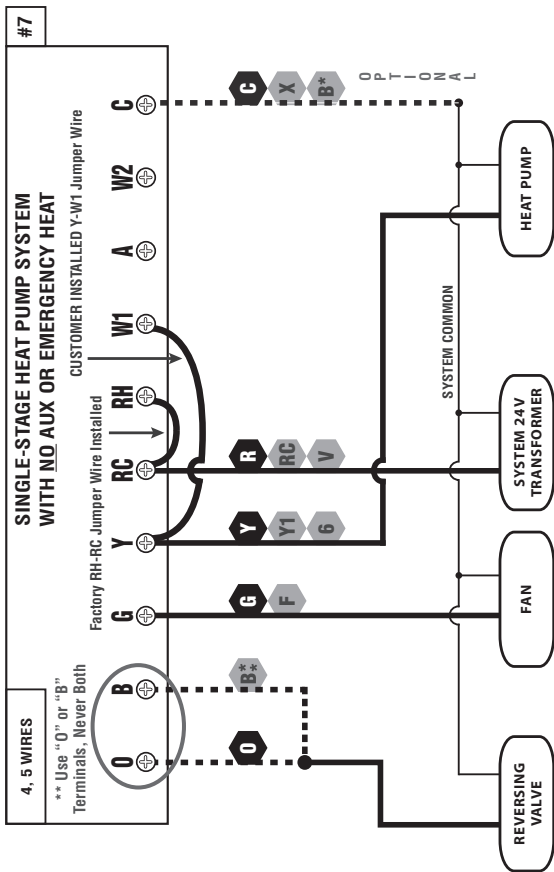
NOTE: THE BLACK TERMINAL LETTERS ARE TYPICAL, GRAY TERMINAL LETTERS ARE BRAND SPECIFIC



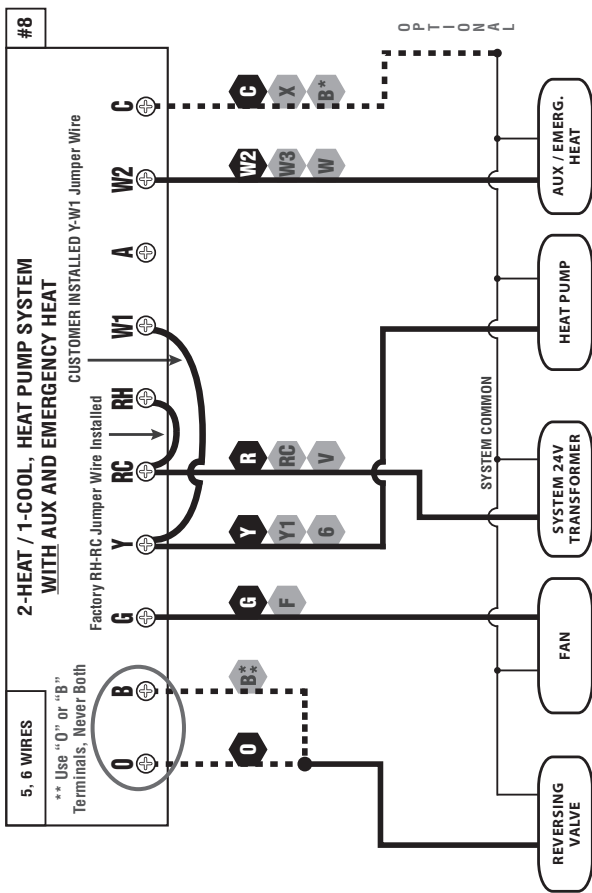
NOTE: THE BLACK TERMINAL LETTERS ARE TYPICAL, GRAY TERMINAL LETTERS ARE BRAND SPECIFIC



NOTE: THE BLACK TERMINAL LETTERS ARE TYPICAL, GRAY TERMINAL LETTERS ARE BRAND SPECIFIC



NOTE: THE BLACK TERMINAL LETTERS ARE TYPICAL, GRAY TERMINAL LETTERS ARE BRAND SPECIFIC



NOTE: THE BLACK TERMINAL LETTERS ARE TYPICAL, GRAY TERMINAL LETTERS ARE BRAND SPECIFIC

COMPLETE THE INSTALL:

INSTALL BATTERIES INTO THERMOSTAT: Install two brand new Energizer® or DURACELL® “AA” size alkaline (only) batteries, into the thermostat’s battery compartment. Ensure the batteries are installed in the proper direction.

GAS / ELEC CIRCUIT BOARD OPTION (“G” TERMINAL FAN OPERATION): This setting is a plastic shorting cap called a jumper. This jumper must remain installed, and set to either GAS or ELECTRIC for your system to work properly. This setting changes how your system’s blower fan (if applicable) is controlled while the thermostat is in HEAT or EMERG HEAT mode, when the Fan switch in the AUTO position. This setting does not affect the fan operation while in COOL mode.

When set to “GAS”, the blower fan is controlled solely by the heating system itself. Systems that would typically use the “GAS” setting would be: natural gas, propane, or oil furnaces, and boilers. **NOTE:** If your blower fan does not operate properly after installation, move the Gas / Electric option to the “Electric” setting.

When set to “ELEC”, the blower fan is controlled directly by the thermostat. This setting is required for heating systems that do not control their own fan, such as HEAT PUMPS, and units that only have an electric-resistive heating element as the heat source.



ELEC



GAS

FRONT PANEL ITEMS:

These items below are all located behind the door on the front of the thermostat. To open the door, pull outwards using the small indentation in the center of the top edge of the thermostat housing.

HEAT / OFF / COOL, SYSTEM MODE SWITCH: Set this switch to HEAT to control your heating system, and COOL to control your cooling system. The OFF position will disable both the heating and cooling units.

AUTO / ON, FAN MODE SWITCH: When this switch is in AUTO, the blower fan (if present in your system) will automatically cycle on and off by itself while heating or cooling is running. When in the ON position, the blower fan will run constantly

with or without a demand for heating or cooling, even when the System Mode switch is in the OFF position.

NOTE: The Fan Mode switch only works if your system provides a wire for the thermostat's "G" wire terminal, to control a blower fan. The Fan Mode switch has no effect in systems that do not have a blower fan (such as a hot water radiator system).

MULTI-FUNCTION, SET SLIDE SWITCH: This switch provides an easy way to quickly access the most commonly used thermostat settings. This switch has 4 individual positions, and unless a specific setting is being adjusted, this switch should always remain in the RUN position for the thermostat to control the room temperature. The other Set Slide switch positions are described in greater detail in the ADVANCED FEATURES section. **NOTE:** this switch is only operable when the thermostat is in "Programmable" mode. When the thermostat is used in "Manual" control mode, all 4 of the switch positions will act like the RUN position, except the "AIR FILTER" position.

UP / DOWN BUTTONS: The UP and DOWN buttons are used to adjust any item that can be changed by the user. Examples are the set temperatures, clock times, and days of the week. In many cases, an item may be flashing if it can currently be adjusted.

HOLD BUTTON: This button activates and deactivates the manual Temperature Hold feature.

EMER BUTTON: When in Normal Run mode, the usage of this button varies depending upon your specific system configuration. For heat pump systems, pressing this button enables your emergency heat function, which is described in greater detail in the OPERATING INSTRUCTIONS section. For conventional systems, there is no such thing as emergency heat, so this button will have no effect.

NEXT BUTTON: This button is mostly used while setting items such as software options, and temperature program periods. When there are several items on the screen that can be changed, usually one of them is flashing indicating that it can be adjusted. Pressing the NEXT button will cycle through which item is flashing.

SYSTEM CONFIGURATION AND SETUP OPTIONS:

Setup options for how the thermostat will function, along with choosing your particular system type, are performed using a menu on the display screen.

TO ACCESS THE SETUP MENU: Move the System Mode switch into the OFF position, and then hold down the EMER button for approximately 5 seconds until the screen changes. The menu will always start with item #1, and is advanced to each following item by a single press of the NEXT button. The options for each item are changed using the UP or DOWN buttons.

ITEM #01 (CLK = CLOCK FORMAT): [12Hr, default] This displays the clock times using standard AM and PM values. [24Hr] This displays the clock times using the military-time format (example 22:00 hours, without using AM or PM).

ITEM #02 (TMP = TEMPERATURE SCALE): [F, default] Shows all temperature values in Fahrenheit. [C] Shows all temperature values Celsius.

ITEM #03 (THERMOSTAT TYPE): [PROG, default] Use this setting for following a daily program routine. [MAN] This setting omits the program routine and operates as a manual style non-programmable thermostat. This is very basic and only shows the room temperature and set temperature on the screen, with no clock.

ITEM #04 (PERD = PERIOD QUANTITY): [4P, default] Thermostat uses four periods per day (called MORN, DAY, EVE, and NITE). [2P] The thermostat uses two periods per day (called DAY and NITE).

ITEM #05 (RCV = EARLY RECOVERY): [OFF, default] Program Set Temperature values start to occur at exactly the period start times. [ON] Early Recovery affects how the transition occurs when changing from the NITE to the MORN period, and when changing from the DAY to the EVE period. The thermostat calculates how long it takes for your home to recover from a setback on a daily basis, and turns on ahead of time in order to reach the target set point of the next upcoming program period by the period's start time. While in a recovery, the word "RECOV." will be shown on the display screen.

ITEM #06 (SYSTEM MODE): [FURN, default] This is for the majority of heating systems that are not Heat Pumps, such as a gas furnace or hot water boiler. [HP] Use this setting if you have a Heat Pump system, which uses the outdoor unit as the primary heat source and may also contain an electric heating element as a backup heat source. When set to "HP", ensure that you have also set the Gas/Electric circuit board option to "ELEC", as described in the "COMPLETE THE INSTALL" section.

ITEM #07 (DLAY = DELAY TIME): [5, default] Thermostat waits 5 minutes before turning the system back on after it was last run. This internal delay prevents rapid cycling and provides equipment protection. The 5 minute setting is fine for most applications. [2] Same operation as above but reduced to 2 minutes between state changes.

ITEM #08, #09, #10 (CYCL = SYSTEM CYCLE DURATION): These three settings will control how frequently your heating/cooling system will be allowed to cycle ON during room temperature control. The possible setting values for these three items are: 60, 30, 20, 15, 12, 10, 8, and 6. Whether all three of these items are shown, and their available values, will change depending upon what type of heating system you have selected previously in ITEM #06.

#08 = HEAT MODE, CYCLE DURATION

#09 = COOL MODE, CYCLE DURATION

#10 = EMERGENCY HEAT, CYCLE DURATION

When the heating/cooling system turns on, it will remain running for as long as necessary to reach and maintain your target set temperature. EXAMPLE: with an ITEM #08 HEAT CYCLE setting of 12, the heating system will turn on approximately 5 times per hour (turning ON once every 12 minutes). With an ITEM #09 COOL CYCLE setting of 20, the cooling system will turn on approximately 3 times per hour (turning ON once every 20 minutes).

ITEM #11 (STAGE-2 OFFSET): [4, default] This setting is adjusted as a number from 0 to 9. This setting varies how low the room temperature must drop before the second (auxiliary) heating stage becomes activated, if present. When set to 0 (ZERO), the second heating stage is completely disabled while in regular Heat mode (however Emergency Heat mode will still function for heat pump configurations). A lower number will make the second stage turn on sooner, and will generally provide increased comfort. A larger number will allow a greater decrease in room temperature to occur before turning on the second heating stage, and will generally provide greater energy efficiency. If you find that the second heating stage is cycling too frequently, use a larger number for this setting.

OPERATING INSTRUCTIONS:

SET DAY AND TIME: Place the Set Slide Switch into the DAY/TIME position. With the day flashing, press UP or DOWN to set the day of the week. Press NEXT and the clock time will start flashing. Use UP or DOWN to set the time, making sure the AM/PM indication is correct. Holding the UP or DOWN buttons will make the clock digits scroll rapidly. Return the Set Slide switch to the RUN position when finished.

HEATING AND COOLING: Basic operation of your heating or cooling system can be obtained with the Set Slide Switch in the RUN position and choosing either HEAT or COOL on the System Mode switch. The temperature can be adjusted using the UP and DOWN buttons. When the thermostat is first powered up, it will follow a default temperature routine that is preset from the factory (shown below).

PERIOD	HEAT MODE	COOL MODE
MORN	6:00 AM 70 °F (21 °C)	6:00 AM 78 °F (26 °C)
DAY	8:00 AM 62 °F (17 °C)	8:00 AM 82 °F (28 °C)
EVE	6:00 PM 70 °F (21 °C)	6:00 PM 78 °F (26 °C)
NITE	10:00 PM 62 °F (17 °C)	10:00 PM 75 °F (24 °C)

EMERGENCY HEAT: (Heat Pump Configuration Only). While in normal Heat mode with the Set Slide switch in the RUN position, one single press of the EMER button will activate Emergency Heat mode. A single press again will end Emergency Heat mode, and return back to normal Heat mode. While in Emergency Heat mode, the word “EMER” will also be shown in the middle portion of the display screen. If a power loss occurs while in Emergency Heat mode, the thermostat will continue to remain in Emergency Heat mode even after the power comes back on.

Emergency Heat mode will prevent the first stage of your heat pump system from turning on, and use only the “W2” heat terminal (Auxiliary Heat) as the primary heating source. This will not only prevent the heat pump from wasting energy if outdoor temperatures are too low to support efficient operation, but it could also prevent damage to the heat pump if outside temperatures are below the manufacturer’s recommendations. As every heat pump has different operating

characteristics, you should refer to your heat pump literature to determine when to disable the heat pump and run in Emergency Heat mode. In general for most heat pump systems, use Emergency Heat mode whenever the outside temperature is less than 32°F (0°C) degrees.

LCD DISPLAY BACKLIGHT: The display screen is lighted to assist viewing at nighttime, or in locations with low light levels. A press of any button on the front panel will light the display for approximately 10 seconds. Any button presses that occur while the light is on will reset the 10-second timer, causing the screen to remain illuminated for an additional 10 seconds.

TEMPERATURE OVERRIDE: While in Program RUN mode, the set temperature can be temporarily changed by pressing UP or DOWN. The set temperature will return to the programmed value stored in memory when the start time of the next upcoming program period is reached (Morn, Day, Eve, Nite). While a Temporary Override is in effect, the word "OVERRIDE" will be shown in the display screen. An Override may be cancelled moving the mode switch to OFF, then back to HEAT or COOL.

TEMPERATURE HOLD: A Temperature Hold is used for maintaining a fixed set temperature. Once a Hold is initiated, the thermostat will maintain the set temperature indefinitely. A Hold may be used for days, weeks, or even months at a time, as long as the thermostat has adequate power. To enter Hold mode: press the HOLD button one time and the word "HOLD" will appear in the display. To cancel a Hold, press the HOLD button one more time. If a complete power failure occurs during a Temperature Hold, the thermostat will continue to remain in Hold mode even after the power comes back on. NOTE: If you plan to leave the thermostat in Hold mode for an extended duration (unattended), it is advisable to install new Energizer® or DURACELL® "AA" size alkaline batteries prior to leaving to ensure reliable operation of your heating and cooling system.

STATIC NOTICE: This thermostat is protected against normal static electric discharges, however to minimize the risk of damaging the unit in extremely dry weather, please touch a grounded metal object before touching your thermostat.

TEMPERATURE PROGRAMS:

By default, this thermostat has 4 separate program periods for both Heat and Cool mode, they are: MORN, DAY, EVE, and NITE. Each period ends at the start time of the following period. The heat programs are set in HEAT mode, and the cool programs are set in COOL mode.

NOTE: If the thermostat is configured to use only 2 periods per day instead of 4 (SYSTEM CONFIGURATION AND SETUP OPTIONS), the thermostat will only use the DAY and NITE periods. The MORN and EVE periods will not be visible on the screen.

SET TEMPERATURE PROGRAMS: Move the Set Slide switch to the TEMP PROG position. Programming will start with all 5 weekdays, Monday through Friday (all grouped together). Use the UP/DOWN buttons to adjust the start time for the MORN period, then press the NEXT button to advance. Use the UP/DOWN buttons to adjust the set temperature for the MORN period, then press the NEXT button to advance. Now adjust the start time and set temperature for the DAY period, pressing the NEXT button after each to advance. Continue with these same steps to adjust the start times and set temperatures for the EVE and NITE program periods.

When the NITE period is finished for the weekdays, the thermostat will advance forward to the weekend program, with the MORN period start time flashing. You will be setting the program periods for both Saturday and Sunday (grouped together). Perform the same steps that you used for setting the weekday periods, pressing the NEXT button to advance through each flashing value. Return the Set Slide switch to the RUN position when you are finished.

ADVANCED FEATURES:

TEMPERATURE CALIBRATION: The internal temperature sensor in this thermostat is accurately calibrated at the factory, and in most cases alterations to this setting should not be needed. The Temperature Calibration feature allows you to manually offset the measured temperature by as much as plus or minus 5°F (3°C) degrees from its original value. This feature can be useful to match or synchronize this thermostat to another one or more, if multiple thermostats are used in the same home.

NOTE: The Temperature Calibration setting need to be performed in a timely manner, as the thermostat will timeout and automatically exit the adjustment screen after approximately 10 seconds without a button press.

TO CHANGE THE TEMPERATURE CALIBRATION: Ensure that the System Mode switch is in the OFF position and the Set Slide switch is in the RUN position. Press and hold both the UP and DOWN buttons together for at least 5 seconds. The words "SET" and "CAL" will appear on the screen, along with a single flashing temperature digit. Use the UP/DOWN buttons to change the number of degrees of adjustment. 0° degrees is the default value, and means no correction is being applied. Press the NEXT button to accept the setting.

TEMPERATURE LIMIT STOPS: There are two independent set temperature limit stops: a maximum heat set temperature, and a minimum cool set temperature. These stops do not prevent a user from performing normal actions like Temperature Override or Hold. The Heat Limit Stop prevents the set temperature from being adjusted higher than the heat limit setting. The Cool Limit Stop prevents the set temperature from being adjusted lower than the cool limit setting. Each of these temperature stops is user adjustable in one-degree increments.

TO SET THE HEAT LIMIT STOP:

TO SET THE COOL LIMIT STOP:

TO CHANGE THE TEMPERATURE STOP LOCK CODE:

IF YOU FORGET YOUR TEMPERATURE STOP CODE:

KEYPAD LOCKOUT: You can lock the front panel buttons to prevent unauthorized tampering of your thermostat settings.

TO LOCK THE KEYPAD:

TO UNLOCK THE KEYPAD:

AIR FILTER MONITOR: In most systems that use a blower fan and air ducts, there is an air filter that is either replaceable or requires cleaning. The filter is usually located in the air handler, where the blower fan is. This thermostat feature assists you with keeping track of proper maintenance and/or periodic replacement intervals for your system's filter.

The Air Filter Monitor counts the duration of filter usage that has occurred, since the last time the Filter Monitor has been reset. This feature is for information purposes only, and does not affect the operation of your heating or cooling equipment, or the thermostat. When the filter usage duration has completely expired, the word "FILTER" will flash on the screen.

TO SET THE AIR FILTER DURATION: Move the Set Slide switch to the "AIR FILTER" position. The word "DAYS" will be shown on the screen, along with the word "FILTER" and 2-3 characters at the top right corner of the display. Press either of the UP/DOWN buttons to select the desired filter duration (in days) from the following choices: OFF, 30, 60, 90, 120, 180, or 365. If the filter duration value is set to "OFF", then the Air Filter Monitor will be completely disabled. Return the Set Slide switch to the RUN position when you are finished.

TO RESET THE FILTER USAGE COUNTER: Move the Set Slide switch to the “AIR FILTER” position. The three small digits at the top of the screen tell you the quantity of filter days remaining. Press both the UP and DOWN buttons together, and the usage counter will return to the beginning of the value that it originally started counting from. Refer to the previous paragraph, should you wish to change the starting value for the filter monitor. Return the Set Slide switch to the RUN position when you are finished.

HARDWARE RESET: The Hardware Reset button (labeled “HW RST”) is a small round push button that is located in the middle of the circuit board, just below the battery holder. Pressing this button will cause the LCD display screen to become fully populated, the heating and cooling load relays to cycle off, and will perform an internal system check of the thermostat components. If your thermostat appears to be acting in an erratic manner, pressing the Hardware Reset button may remedy this behavior. The temperature programs are not erased when a hardware reset is performed, however the clock will have to be changed to match the current day and time.

HW RST



SOFTWARE RESET: A Software Reset is used to erase ALL heating and cooling temperature programs, and to return all user-adjustable software settings back to their original factory default values. To perform a Software Reset, first ensure that the thermostat’s Keypad Lockout is not enabled and then move the System Mode switch to the OFF position. Press and hold the UP, DOWN, and NEXT buttons all together for at least 5 seconds. The LCD display screen will become fully populated (let go of buttons at this point), and then return to normal. The clock will have to be changed to match the current day and time.

COMPRESSOR PROTECTION BYPASS: This optional feature permits the installer or service technician to temporarily disable the built in compressor protection delays. This is most useful for diagnosing and testing the heating and cooling systems after installation is complete, and should not be used during normal operation. To activate this feature, press and hold both the NEXT and HOLD buttons, while also perform a single press of the Hardware Reset button (the LCD display screen will become fully populated). Continue to hold the NEXT and HOLD buttons until the LCD display screen returns to normal. All compressor protection delays (in all modes of operation) will be disabled for 5 minutes. After the 5-minute duration has expired, the thermostat will return to normal operation automatically.

BATTERY REPLACEMENT:

This thermostat is powered by two “AA” Alkaline batteries. The batteries should be replaced AT LEAST once per year to ensure reliable operation (or sooner if “LO BATT” appears in the display screen). The batteries are located on the back of the thermostat’s circuit board. The front portion of the thermostat can be removed from the back half by using the tabs on the top edge of the thermostat housing.

When installing new batteries, we recommend using only brand new Energizer® or DURACELL®, “AA” size alkaline batteries. Please observe the polarity markings shown in the battery compartment to ensure proper installation. When finished, line up the front of the thermostat to the base, and firmly press together to securely latch the front and back halves together properly.

BATTERY GRAPHIC: Anytime that batteries are physically present in the thermostat, there will be a visual indication of the remaining battery life available on the thermostat’s display screen.



When brand new batteries are installed in the battery compartment, this graphic should indicate full battery life remaining with all bars present.

Over time, as the battery life decreases to the point of having only 1 bar left, the Temperature and Clock digits will start to alternate between showing their normal content, and the words “LO BATT”. At this point the batteries will need to be replaced as soon as practical to avoid uninterrupted operation of your heating and/or cooling system. In most cases, the thermostat will be capable of providing you approximately two months of normal operation once the point of 1 bar left has been reached, and the screen shows the words “LO BATT”.



TECHNICAL ASSISTANCE:

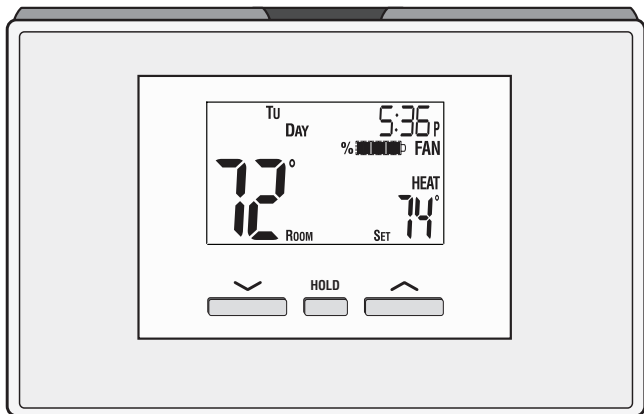
If you have any problems installing or using this thermostat, please carefully and thoroughly review the instruction manual. If you require assistance, please contact our Technical Assistance department at 856-234-8803 during regular business hours between 8:00AM and 4:30PM Eastern Standard Time, Monday through Friday. You can also receive technical assistance online anytime day or night at <http://www.luxproproducts.com>. Our website offers you troubleshooting guides, answers to the most common technical questions, and also permits you to email your questions to our technical support staff at your convenience.

LIMITED WARRANTY:

If this unit fails because of defects in materials or workmanship within three years of the date of original purchase, LUX will, at its option, repair or replace it. This warranty does not cover damage by accident, misuse, or failure to follow installation instructions. Implied warranties are limited in duration to three years from the date of original purchase. Some states do not allow limitations on how long an implied warranty lasts, so the above limitation may not apply to you. Please return malfunctioning or defective units to the location from which the purchase was made, along with proof of purchase. Please refer to "TECHNICAL ASSISTANCE" before returning thermostat. Purchaser assumes all risks and liability for incidental and consequential damage resulting from installation and use of this unit. Some states do not allow the exclusion of incidental or consequential damages, so the above exclusion may not apply to you. This warranty gives you specific legal rights and you may also have other rights, which vary from state to state. Applicable in the U.S.A. and Canada only.

MERCURY WARNING AND RECYCLING NOTICE:

Mercury is considered to be a hazardous material. If this product is replacing a thermostat that contains mercury in a sealed tube, contact your local waste management authority for instructions regarding recycling and proper disposal. It may be unlawful in your state to place it in the trash.



LUX  PRODUCTS CORPORATION

Mt. Laurel, New Jersey 08054, USA
<http://www.luxproproducts.com>
856-234-8803