

GC912, GC913 models

Gas cooktop
User guide US CA (EN)

Parrilla con Quemadores a gas
Guía del usuario US CA (ES)

Table de cuisson au gaz
Manuel d'utilisation US CA (FR)



WARNING!

If the information in this manual is not followed exactly, a fire or explosion may result causing property damage, personal injury or death.

Do not store or use gasoline or other flammable vapors and liquids in the vicinity of this or any other appliance.

NEVER use this appliance as a space heater to heat or warm the room. Doing so may result in carbon monoxide poisoning and overheating of the cooktop.

WHAT TO DO IF YOU SMELL GAS

- Do not try to light any appliance.
- Do not touch any electrical switch.
- Do not use any phone in your building.
- Immediately call your gas supplier from a neighbor's phone. Follow the gas supplier's instructions.
- If you cannot reach your gas supplier, call the fire department.

Installation and service must be performed by a qualified installer, service agency or the gas supplier.

Contents

Introducing your cooktop	3
Cooktop safety	4
Using your cooktop	6
Cookware	8
Care and cleaning	10
Frequently asked questions	13
Trouble shooting	14
Limited warranty	15

Contenido

Familiarizándose con su parrilla	19
Seguridad de la parrilla	20
Cómo utilizar su parrilla	22
Ollas y sartenes	24
Cuidado y limpieza	26
Preguntas frecuentes	29
Solución de problemas	30
Garantía limitada	31

Table des matières

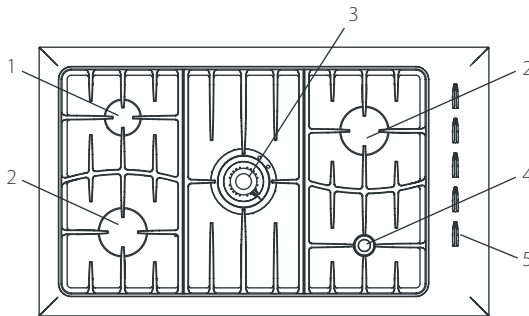
Présentation de votre table de cuisson	35
Utilisation sécuritaire de la table de cuisson	36
Utilisation de votre table de cuisson	38
Batterie de cuisine	40
Entretien et nettoyage	42
Foire aux questions	45
Dépannage	46
Garantie limitée	47

Introducing your cooktop

Now that your new cooktop is installed and ready to use, you will want to know everything about it to be sure of excellent results right from the start.

This booklet will introduce you to the features and special talents of your cooktop/hob. We recommend you read the whole book before you start using your cooktop, for the sake of safety as well as success.

Location of features



- 1. Semi-rapid burner
- 2. Rapid burner
- 3. Wok burner
- 4. Auxiliary burner
- 5. Cooktop controls

Important!

SAVE THESE INSTRUCTIONS

The models shown in this user guide may not be available in all markets and are subject to change at any time. For current details about model and specification availability in your country, please go to our website www.fisherpaykel.com or contact your local Fisher & Paykel dealer.

Cooktop safety

Your safety is important to us

This guide contains safety statements under warning symbols. Please pay special attention to these symbols and follow instructions.



This symbol alerts you to hazards such as fire, electrical shock, or other injuries.

Important safety instructions

General

- Have your cooktop installed and properly grounded by a qualified installer in accordance with the installation instructions.
- Be sure to have the installer show you how to turn off the gas and electrical supply.
- Use this appliance for its intended purpose as described in this user guide.
- To avoid risk of burns and/or fire keep loose clothing, pot holders or any other flammable materials well clear of the burner flame.
- Always use a pot holder when removing cookware from the cooktop. Do not use wet or damp pot holders as these can cause steam burns. Do not use towels or similar cloths for removing cookware.
- When deep frying fat, be sure the pan is large enough not to cause an overflow from bubbling of the fat. Do not deep fry foods with a high moisture content or food covered with frost.
- Turn the pot handles to the side or the back of the cooktop away from the reach of children. Handles should not be positioned over adjacent burners.
- Always check that the control knobs are in the 'off' position when you have finished cooking.
- While using the cooktop, surfaces can become hot enough to cause burns.
- Do not leave children alone or unattended near the cooktop. Never allow children to stand, sit or play near, on or with the cooktop.
- Do not leave the cooktop unattended when in use.
- Do not use the cooktop to heat unopened food containers, such as cans. This will cause the container to burst and could result in injury.

Operational

- Do not use water on grease fires. A violent steam explosion may result.
- Do not store or use flammable materials, gasoline or other flammable vapors and liquids in the vicinity of the cooktop, or any other appliance.
- Do not operate the burner without all burner parts in place.
- Always keep flammable wall coverings, curtains or drapes a safe distance from your cooktop.
- For safety reasons the burner flame size should be adjusted so it does not extend beyond the edge of the cookware.
- Use cookware of the appropriate size and construction for the type of cooking. Cookware must be matched to the size of the cast iron grate.
- Do not spray aerosols in the vicinity of this appliance while it is in operation.
- NEVER use this appliance as a space heater to heat or warm the room. Doing so may result in carbon monoxide poisoning and overheating of the cooktop.
- Do not stand on this gas cooktop.
- Be careful when reaching for items stored in cabinets over the cooktop. Flammable materials could be ignited if brought in contact with flame or hot surfaces and may cause severe burns.
- For safety reasons, do not store items of interest to children above or at the back of the cooktop.

Maintenance

- Do not let cooking grease or other flammable materials accumulate near the cooktop.
- Do not repair or replace any part of the appliance unless specifically recommended in this manual. All other servicing should be referred to a qualified technician.
- Unplug the cooktop from the electrical supply and turn off the gas supply at the shut-off valve before servicing this appliance.
- This appliance is equipped with a three-prong grounding plug for your protection against shock hazard and should be plugged directly into a properly grounded receptacle. DO not cut or remove the grounding prong from this plug.
- Do not obstruct the flow of combustion and ventilation air to the cooktop.

Environmental hazards

- The California Safe Drinking Water and Toxic Enforcement Act requires the Governor of California to publish a list of substances known to the state to cause cancer, birth defects or other reproductive harm, and requires businesses to warn customers of potential exposure to such substances.

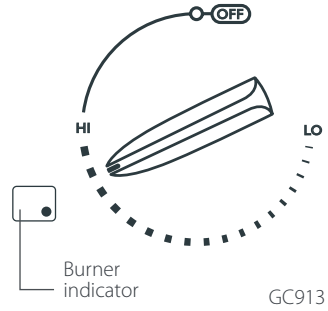
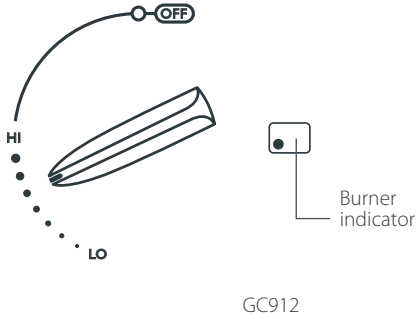
Gas appliances can cause minor exposure to four of these substances, namely benzene, carbon monoxide, formaldehyde and soot, caused primarily by the incomplete combustion of natural gas or LP fuels.

Properly adjusted burners, indicated by a bluish rather than a yellow flame, will minimize incomplete combustion. Exposure to these substances can be minimized further by venting with an open window or using the ventilation fan.

Using your cooktop

This section tells you how to successfully operate your cooktop

Choose the control knob for the burner you want to use. Press down and turn the knob counter clockwise to the HI symbol (see below). All the igniters will spark until the gas ignites on the selected burner.



Adjusting the flame

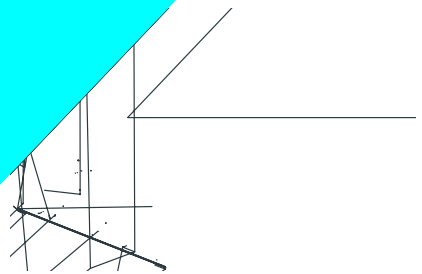
The flame adjusts anywhere between the HI and LO symbols. Do not regulate the flame between HI and OFF.

Temperature control

Your cooktop offers a wide range of temperature settings from delicate slow cooking to the intense high temperatures needed for boiling and searing.

For general cooking purposes turn the control knob to the HI setting to begin cooking or bring food to the boil and adjust as necessary. Once your pan is hot, reduce the temperature to maintain a steady heat to cook your food through. This will reduce cooking times.

Results will vary depending on the type of pans used and the quantities being cooked. You will need to experiment with the temperature settings to match your desired cooking result. Different types of cooking utensils will vary in efficiency.



...boil, over high heat.

...place the
...with the points facing
...turner, turn to LO and place
...of the SimmerMat.

...use an asbestos mat or decorative covers
...between the flame and the saucepan as this may
...use serious damage to your cooktop.

Using saucepans

- Do not let large saucepans or frying pans overlap the countertop as this can deflect heat and damage the countertop surface.
- Hold the handle of the saucepan to prevent movement of cookware when stirring.
- Saucepans should have a thick flat base. Food in a saucepan with an uneven base will take longer to cook.
- Extremely heavy saucepans may bend the grate or deflect the flame.
- Match the bottom of your saucepans with the cooking zone and be sure that they are stable. This will give you the most efficient cooking.

Griddle

Using the griddle (some models only)

A griddle is ideal for cooking a variety of foods. Cook steak, tender cuts of meat, panini and char-grilled vegetables on the ribbed side and griddle scones, pancakes, pikelets, polenta and eggs on the flat side.

The surfaces of a cast-iron griddle will become more and more non-stick as cooking oils become baked in. This 'seasoning' process can be started by coating both surfaces of the griddle with cooking oil and baking in the oven at 300 °F (150 °C) for about an hour.

Cooking with a griddle

- Only use the griddle over the two left-hand burners.
- Heat the griddle for a few minutes before using.
- Brush the food, not the griddle, with oil, to reduce splatter and smoking,
- Cook steak and vegetables at high temperatures on the ribbed side of the griddle. Turn the steak only once, about half way through the cooking time and test by pressing the surface of the steak. The softer the meat is, the 'rarer' or less well done it will be.
- Griddle scones, pancakes, pikelets, polenta and eggs are best cooked slowly at medium to low temperatures on the flat side of the griddle.

Important!


Prolonged cooking with the griddle at high temperatures may damage the cooktop.

Cleaning a cast-iron griddle

- Leave the griddle to cool before cleaning. Scrape away any food residue and wash in warm soapy water.
- Do not scour to the bare metal when cleaning or you will remove the non-stick coating that has built up during cooking.
- Dry the griddle thoroughly and wipe with a thin coating of cooking oil to prevent rust forming, especially when the griddle is new.

Care and cleaning

Use soapy water and a soft sponge or cloth to clean the cooktop, rinse with clean water and dry thoroughly. Clean the cooktop regularly, before spills become burnt on. Soaking stubborn stains under the soapy cloth for a few minutes will help make them easier to remove. Grates are dishwasher safe. If stubborn soil remains follow the recommended cleaning methods outlined below.

⚠ WARNING!	
	<p>Hot Surface Hazard</p> <p>Before cleaning, be certain the burners are turned off and the whole cooktop is cool.</p> <p>Failure to do so could result in burns and scalds.</p>

- Always use the mildest cleaner that will do the job. Use clean, soft cloths, sponges or paper towels.
- Clean brushed stainless steel finishes in the direction of the grain.
- Dry thoroughly to avoid water marks.
- Do not clean cooktop parts in any self cleaning oven.
- After cleaning, replace all cooktop parts in their proper position before using the cooktop.
- Rinse and wipe away all cleaner residue as when heated the cleaners can permanently stain the cooktop.

Important!

The cleaners recommended on the following page indicate cleaner types and do not constitute an endorsement of a particular brand. Use all products according to directions on the package.

Cleaning procedures listed opposite are only applicable for the 'F&P Gas cooktops' and are not applicable for other appliances with stainless steel finish.

Care and cleaning

Cooktop cleaning chart

EN

Cooktop part	Cleaning	Important
Grates, burner caps & SimmerMat, porcelain enamel finish	<ul style="list-style-type: none"> ▪ Hot soapy water and nylon scourer ▪ Soaking in a solution of biological clothes washing detergent eg Surf® ▪ Mild abrasive cleansers eg Bon Ami® ▪ Fume Free oven cleaner eg Easy Off® ▪ Heavy Duty oven cleaner eg Easy Off® 	<p>Always allow cooktop parts to cool completely before cleaning them. Remove spills as soon as the burner caps are cool to avoid the soil becoming burnt on.</p>
Burner parts	<ul style="list-style-type: none"> ▪ Hot soapy water ▪ To clear the holes use a stiff nylon brush or wire eg straight ended paper clip ▪ Mild abrasive cleansers eg Bon Ami® 	<p>Reassemble the burner parts correctly.</p>
Control knobs	<ul style="list-style-type: none"> ▪ Hot soapy water and a soft cloth ▪ Mild abrasive cleansers eg Bon Ami® 	<p>Always apply minimal pressure with abrasive cleaners.</p>
Stainless steel exterior	<ul style="list-style-type: none"> ▪ Soak soil under a hot soapy cloth, rinse and dry thoroughly ▪ Hard water spots can be removed with household white vinegar ▪ Non abrasive stainless steel cleaner eg 3M Stainless Steel Cleaner & Polish. Regular use of a stainless steel polish will reduce fingerprints and other marks ▪ Heavy soiling can be removed with oven cleaner eg Easy Off® Fume Free or Easy Off® Heavy Duty 	<p>Never use harsh/abrasive cleaning agents as they will damage the stainless steel finish.</p> <p>Chlorine or chlorine compounds in some cleaners are corrosive to stainless steel and may damage the appearance of your cooktop. Check the label on the cleaner before using.</p>
Ignition electrodes	<ul style="list-style-type: none"> ▪ Toothbrush and rubbing alcohol 	<p>A dirty or wet electrode will prevent the burner from lighting efficiently.</p>

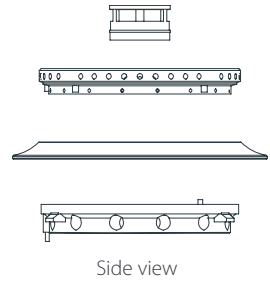
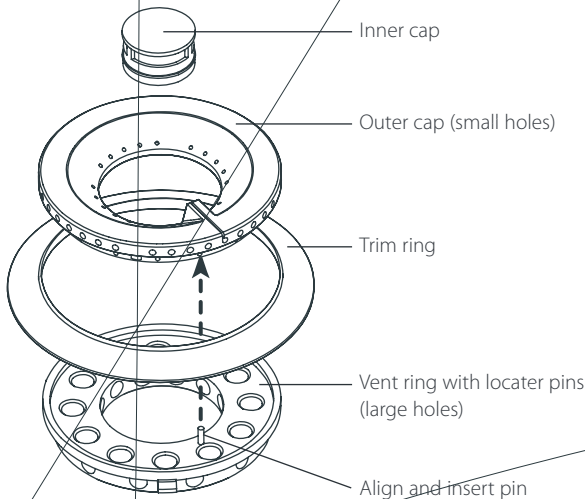
Care and cleaning

Replacing the grates

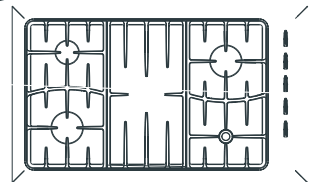
The wok grate goes in the center over the wok burner. The other two grates are interchangeable.

Re-assembling the brass wok burner (some models only)

Each part of the brass burner has locating pins to help you to assemble it correctly after cleaning. Incorrect assembly can cause dangerous/irregular flames and ignition problems. Refer to this diagram for the correct order of assembly. Note: The brass parts of your wok burner will change color with use. This will have no effect on the performance.



Rotate vent ring to align locator pin with hole in burner base



Frequently asked questions

Q What is the best way to clean stainless steel?

A See 'Care and cleaning' instructions.

Q How do I clean the grates and burners?

A Grates can be washed in the dishwasher or alternatively with a cream cleaner and a nylon scourer. Burners are best washed in warm water (see 'Care and cleaning' instructions).

Q All the burners spark at once when I go to light one, is this ok?

A Yes, they are designed to do this.

Q Why doesn't my cooktop light?

A Firstly, check it is plugged in and the gas is turned on. Alternatively, the gas igniters may be dirty. These are easily cleaned with a toothbrush and rubbing alcohol. (Also check 'Troubleshooting').

Q Will the graphics on my cooktop come off?

A No, these are etched by laser.

Q My burner flames are yellow / slow to start, is something wrong?

A Yes, there are a number of factors which could be causing this

1. If you use bottled gas this may indicate you are getting near the end of the bottle.
2. Your cooktop may not be suited to the gas you are using, check with your service person/installer.
3. The gas pressure may not be correct, check with your service person/installer.
4. See 'Troubleshooting'.

Q One of my burners has an uneven flame, what can I do?

A Check the burner parts are assembled correctly.

Q What size pots should I use?

A Generally larger pots are more energy efficient (see 'Cookware').

Q Do I need special pans for a gas cooktop?

A Regular pans are fine. We recommend thick-based pans for efficient, even heat.

Troubleshooting

Problem	Possible solutions
My cooktop does not light	<p>Check it is plugged in and there is power to the wall socket.</p> <p>The gas igniters may be dirty. These can be easily cleaned with a toothbrush and rubbing alcohol.</p> <p>The burner parts may not be located properly. Check the assembly and make sure the burner cap is sitting flat.</p> <p>Check the gas supply valve is turned on and the supply to the house is working. Gas should be heard when you turn a burner on.</p>
My burner flames are yellow/slow to start	<p>The burner parts may not be located properly. Check the assembly and make sure the burner cap is sitting flat.</p> <p>If you use bottled gas this may indicate you are getting near the end of the bottle.</p> <p>Check that the burner parts are not blocked with water.</p> <p>The gas pressure may not be correct, check with your service person/installer.</p>
One of my burners has an uneven flame	<p>Check the burner parts are assembled correctly and that the burner cap is sitting flat on the burner.</p>
My cooktop is sparking	<p>Your cooktop thinks that the flame has gone out. This could be caused by drafts disturbing the flame eg using a down draft.</p> <p>Check that the igniter is clean and dry.</p> <p>Your power supply may not be properly grounded or, in an older house, the correct wiring polarity may not have been observed.</p>
The flame goes out at low settings	<p>Gas supply pressure may be low, check with service person/installer.</p> <p>Low setting may be incorrect, check with your service person/installer.</p>

Limited warranty

When you purchase any new Fisher & Paykel whiteware Product for personal or consumer use you automatically receive a two year Limited Warranty covering parts and labor for servicing within the 48 mainland United States, Hawaii, Washington D.C and Canada. In Alaska the Limited Warranty is the same except that you must pay to ship the Product to the service shop or the service technician's travel to your home. Products for use in Canada must be purchased through the Canadian distribution channel to ensure regulatory compliance.

If the Product is installed in a motor vehicle, boat or similar mobile facility, you receive the same two year Limited Warranty, but you must bring the vehicle, boat or mobile facility containing the Product to the service shop at your expense or pay the service technician's travel to the location of the Product.

Fisher & Paykel undertakes to:

Repair without cost to the owner either for material or labor any part of the Product, the serial number of which appears on the Product, which is found to be defective. In Alaska, you must pay to ship the Product to the service shop or for the service technician's travel to your home. If the Product is installed in a motor vehicle, boat or similar mobile facility, you must bring it to the service shop at your expense or pay for the service technician's travel to the location of the Product. If we are unable to repair a defective part of the Product after a reasonable number of attempts, at our option we may replace the part or the Product, or we may provide you a full refund of the purchase price of the Product (not including installation or other charges).

This warranty extends to the original purchaser and any succeeding owner of the Product for products purchased for ordinary single-family home use.

All service under this Limited Warranty shall be provided by Fisher & Paykel or its Authorized Service Agent during normal business hours.

How long does this Limited Warranty last?

Our liability under this Limited Warranty expires TWO YEARS from the date of purchase of the Product by the first consumer.

Our liability under any implied warranties, including the implied warranty of merchantability (an unwritten warranty that the Product is fit for ordinary use) also expires ONE YEAR (or such longer period as required by applicable law) from the date of purchase of the Product by the first consumer. Some states do not allow limitations on how long an implied warranty lasts, so this limit on implied warranties may not apply to you.

This warranty does not cover:

- A** Service calls that are not related to any defect in the Product. The cost of a service call will be charged if the problem is not found to be a defect of the Product. For example:
 1. Correcting faulty installation of the Product.
 2. Instructing you how to use the Product.
 3. Replacing house fuses, reset circuit breakers, correct house wiring or plumbing, or replace light bulbs.
 4. Correcting fault(s) caused by the user.
 5. Changing the set-up of the Product.
 6. Unauthorized modifications of the Product.
 7. Noise or vibration that is considered normal, for example, drain/fan sounds, regeneration noises or user warning beeps.
 8. Correcting damage caused by pests, for example, rats, cockroaches etc.
- B** Defects caused by factors other than:
 1. Normal domestic use or
 2. Use in accordance with the Product's User Guide.
- C** Defects to the Product caused by accident, neglect, misuse, fire, flood or Act of God.
- D** The cost of repairs carried out by non-authorized repairers or the cost of correcting such unauthorized repairs.
- E** Travel Fees and associated charges incurred when the product is installed in a location with limited or restricted access (eg airplane flights, ferry charges, isolated geographic areas).
- F** Normal recommended maintenance as set forth in the Product's User Guide.

If you have an installation problem contact your dealer or installer. You are responsible for providing adequate electrical, exhausting and other connection facilities.

We are not responsible for consequential or incidental damages (the cost of repairing or replacing other property damaged if the Product is defective or any of your expenses caused if the Product is defective). Some states do not allow the exclusion or limitation of incidental or consequential damages, so the above limitation or exclusion may not apply to you.

How to get service

Please read your User Guide. If you then have any questions about operating the Product, need the name of your local Fisher & Paykel Authorized Service Agent, or believe the Product is defective and wish service under this Limited Warranty, please contact your dealer or call us at:

TOLL FREE 1-888-9-FNP-USA (1-888-9-367-872)

or contact us through our web site: www.usa.fisherpaykel.com

You may be required to provide reasonable proof of the date of purchase of the Product before the Product will be serviced under this Limited Warranty.

Commercial use

If you are using the Product in a commercial setting (any use other than a single family dwelling), we agree to repair or replace, without cost to you for parts only, any defective parts, the serial number of which appears on the Product. Our liability for these repairs expires ONE YEAR from the date of original purchase.

At our option we may replace the part or the Product, or we may provide you a full refund of the purchase price of the Product (not including installation or other charges). All service under this Limited Warranty shall be provided by Fisher & Paykel or its Authorized Service Agent during normal business hours.

No other warranties

This Limited Warranty is the complete and exclusive agreement between you and Fisher & Paykel regarding any defect in the Product. None of our employees (or our Authorized Service Agents) are authorized to make any addition or modification to this Limited Warranty.

Warrantor: Fisher & Paykel Appliances, Inc.

If you need further help concerning this Limited Warranty, please call us at the above number, or write to:

Fisher & Paykel Appliances, Inc.
5900 Skylab Road
Huntington Beach, CA 92647

This Limited Warranty gives you specific legal rights, and you may also have other rights which vary from state to state.



ATENCIÓN!

El no seguir la información de este manual al pie de la letra, puede ocasionar explosión o incendio, provocando daños a su propiedad, personales o incluso la muerte.

No almacene o utilice gasolina u otros líquidos o vapores inflamables cerca de este o cualquier otro aparato eléctrico.

NUNCA utilice este electrodoméstico como calefactor ambiental, ya que puede ocasionar envenenamiento por monóxido de carbono y sobrecalentamiento de la parrilla.

QUÉ HACER SI HUELE A GAS

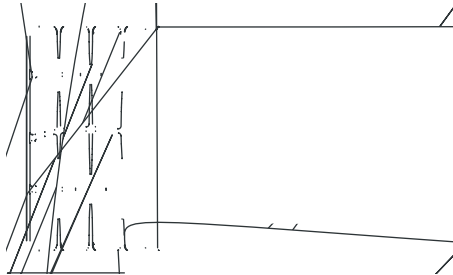
- No intente encender ningún aparato eléctrico.
- No toque ningún interruptor eléctrico.
- No utilice el teléfono dentro de su casa.
- Llame inmediatamente a su proveedor de gas desde el teléfono de un vecino. Siga las instrucciones del proveedor de gas.
- Si no puede comunicarse con su proveedor de gas, llame a los Bomberos.

Tanto los trabajos de instalación como de mantenimiento, los deberá llevar a cabo personal calificado, el proveedor o su compañía de gas.

Familiarizándose con su parrilla

Lo felicitamos por la adquisición de su nueva parrilla con quemadores a gas y le recomendamos que lea cuidadosamente esta Guía del Usuario para aprovechar al máximo las ventajas que le ofrece este producto.

Ubicación de las funciones especiales



1. Quemador semi-rápido
2. Quemador rápido
3. Quemador para wok
4. Quemador auxiliar
5. Perillas de controles de la parrilla

¡Importante!

GUARDE ESTE INSTRUCTIVO

Los modelos utilizados en esta guía del usuario pudieran no estar disponibles en todos los mercados, y están sujetos a cambio en cualquier momento. Para obtener información actual acerca de la disponibilidad de modelos y especificaciones en su país, favor de visitar nuestro sitio en Internet, www.fisherpaykel.com, o póngase en contacto con su distribuidor local Fisher & Paykel.

Seguridad de la parrilla

Su seguridad es importante para nosotros

Esta guía contiene información sobre el empleo seguro indicada por medio de los símbolos de "Cuidado". Sea tan amable de prestar especial atención a estos símbolos y siga las instrucciones.



Este símbolo le alerta sobre peligros como fuego, electrocución y otras heridas.

Advertencias de seguridad que debe tomar en cuenta

Generales

- Su parrilla ha sido instalada y adecuadamente puesta a tierra por un instalador calificado según las instrucciones de instalación.
- Asegúrese de que el instalador le indique cómo y dónde interrumpir el suministro de gas y eléctrico.
- Utilice este aparato eléctrico para el propósito para el que fue diseñado, tal como se describe en la Guía del Usuario.
- Para evitar el riesgo de quemaduras y/o incendio, mantenga cualquier tipo de ropa suelta, agarraderas así como cualquier material inflamable, lejos del quemador.
- Para retirar ollas y sartenes de la parrilla, utilice siempre una agarradera. No utilice agarraderas mojadas o húmedas, ya que pueden ocasionar quemaduras por vapor. No utilice toallas o tipos de telas similares para retirar ollas y sartenes de las hornillas.
- Si va a freír con grandes cantidades de aceite, asegúrese de que el tamaño de la sartén sea lo suficientemente grande para evitar el rebose de la grasa burbujeante. No fría con aceite abundante alimentos con alto contenido de humedad o alimentos aún cubiertos de escarcha.
- Gire los mangos de las sartenes hacia un costado o hacia la parte trasera de la parrilla, lejos del alcance de los niños. No ponga los mangos de las sartenes sobre las hornillas adyacentes para evitar su calentamiento.
- Asegúrese siempre de que las perillas de control estén en la posición de «off» [apagado] cuando termine de cocinar.
- Al utilizar la parrilla, tenga cuidado, ya que las superficies pueden calentarse suficientemente como para ocasionar quemaduras.
- No deje a los niños solos cerca de la parrilla. Nunca permita que los niños se paren, se sienten o jueguen cerca, sobre o con la parrilla.
- No desatienda la parrilla mientras esté cocinando.
- No utilice la parrilla para calentar envases de comida cerrados, tales como latas, lo cual puede provocar que éstas revienten y causen daños.

Precauciones de operación

- No utilice agua para sofocar un incendio causado por grasa, ya que puede dar lugar a una violenta explosión de vapor.
- No utilice o almacene materiales inflamables, gasolina u otros líquidos inflamables cerca de la parrilla o cualquier otro aparato eléctrico.
- No opere el quemador si no están todas las piezas del mismo en su lugar.
- Mantenga siempre todo aquello que pueda ser inflamable como papel tapiz o cortinas a una distancia prudente de la parrilla.
- NUNCA utilice este electrodoméstico como calefactor ambiental, ya que puede ocasionar envenenamiento por monóxido de carbono y sobrecalentamiento de la parrilla.
- Utilice ollas y sartenes de tamaño y construcción adecuados al tipo de cocción. Los utensilios deben concordar con el tamaño de la rejilla de hierro fundido.
- No rocíe aerosoles cerca de este artefacto eléctrico cuando se encuentre en funcionamiento.
- Por razones de seguridad, esta parrilla con quemadores a gas no debe utilizarse como calefactor de ambiente.
- No se pare sobre la parrilla con quemadores a gas.
- Tenga cuidado al tratar de tomar cualquier artículo que se encuentre almacenado en los gabinetes por encima de la parrilla. Los materiales inflamables pueden encenderse si se les pone en contacto con flamas o superficies calientes y pueden, además, causar quemaduras severas.
- Por razones de seguridad, no ponga artículos que puedan ser del interés de los niños encima de la parrilla o detrás de ésta.

Mantenimiento

- No deje que la grasa para cocinar u otros materiales inflamables se acumulen cerca de la parrilla.
- No repare o reemplace ninguna parte del aparato, a menos que se indique en el manual. Cualquier otro servicio de mantenimiento deberá realizarlo un técnico calificado.
- Antes de realizar cualquier tipo de reparación, desenchufe la parrilla del suministro eléctrico y apague el suministro de gas mediante la válvula de cierre.
- Este electrodoméstico está equipado con un enchufe de tres clavijas con aterrizaje a tierra para su protección contra el peligro de electrocutamiento, y deberá conectarse directamente a un tomacorriente debidamente aterrizado a tierra. No corte o quite la clavija de tierra de este enchufe.
- No obstruya el flujo de combustión y de ventilación de aire hacia la parrilla.

Peligros ambientales

- El Acta «California Safe Drinking Water and Toxic Enforcement» demanda al gobernador de California el publicar una lista de sustancias conocidas por el Estado como causantes de cancer, malformaciones de nacimiento o cualquier otro daño reproductivo y demanda al sector empresarial advertir a los clientes de la exposición potencial a esas sustancias.

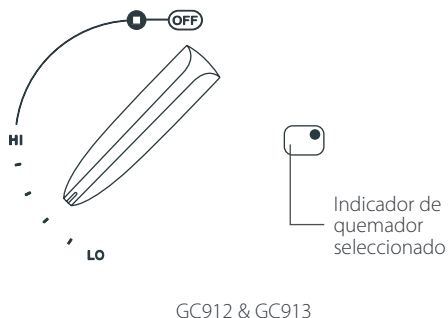
Los aparatos operados con gas pueden causar una exposición menor a cuatro de estas sustancias, particularmente el benceno, el monóxido de carbono, formaldehído y hollín provocada primordialmente por la combustión incompleta del gas natural o combustibles tipo LP.

Los quemadores que están debidamente ajustados indican más por su flama azulosa que por su flama amarilla que la combustión incompleta es mínima. La exposición a estas sustancias puede minimizarse aún más ventilando la habitación con la ventana abierta o con un ventilador eléctrico.

Cómo utilizar su parrilla

Esta sección le indica cómo operar en forma adecuada su parrilla

Elija la perilla de control para el quemador que desee utilizar. Presione hacia abajo y gire la perilla en sentido contrario a las manecillas del reloj hasta llegar al símbolo HI (alto) (véase más abajo). Todos los encendedores emitirán chispas hasta que se encienda el gas en el quemador seleccionado.



Cómo ajustar la flama

La flama se ajusta en cualquier lugar entre los símbolos HI (alto) y LO (bajo); no regule la flama entre HI (alto) y OFF (apagado).

Control de temperatura

La parrilla ofrece una amplia gama de temperaturas, desde la cocción lenta y delicada hasta temperaturas altas necesarias para hervir y sellar los alimentos. Al girar la perilla de control en el sentido de las manecillas del reloj la temperatura se incrementa.

Para propósitos generales de cocción, gire la perilla de control hasta la posición HI (alto) para comenzar a cocinar o hervir, y regule la flama según sea necesario. Una vez que la sartén esté caliente, reduzca la temperatura para mantener una temperatura constante para terminar de cocinar los alimentos. De esta forma reducirá los tiempos de cocción.

Los resultados variarán dependiendo del tipo de cacerola o sartén que utilice y de las cantidades de alimentos que desee cocinar. Experimente con diferentes temperaturas hasta que obtenga los resultados de cocción que desee. La eficiencia de la cocción dependerá de los diferentes tipos de ollas o sartenes que emplee.

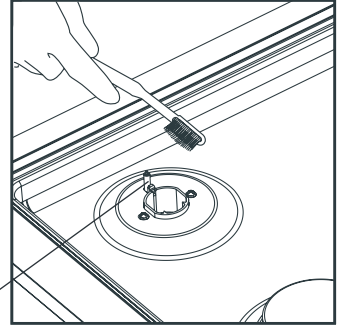
Reencendido automático

Para su conveniencia y seguridad, la parrilla cuenta con reencendido automático. La característica de autoencendido consiste en un chispazo automático de los encendedores para volver a encender el quemador si la flama se apaga o si ésta se distorsiona debido a corrientes de aire o por el mismo sistema de extracción de la parrilla.

Chisporroteo continuo

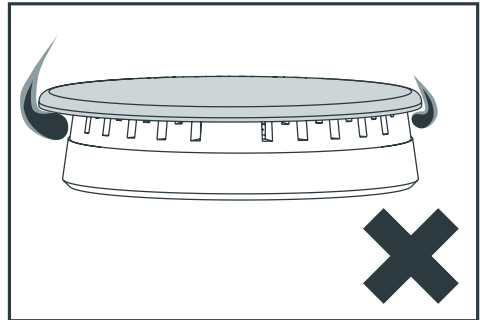
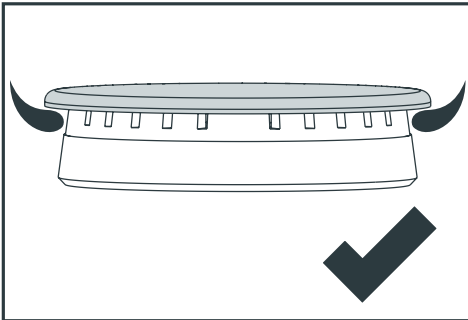
Para que los encendedores funcionen correctamente deben mantenerse limpios y secos. Los encendedores mojados o sucios ocasionarán chisporroteo continuo, aún cuando haya flama. (Véase la guía de solución de problemas).

Los encendedores se pueden mantener limpios con un pequeño cepillo y alcohol de frotación..



Si el quemador tiene la flama inconsistente o no enciende

- Si el gas no se enciende en cuatro segundos, gire la perilla hasta la posición de apagado OFF. Espere por lo menos dos minutos para permitir que el gas se disperse antes de intentarlo de nuevo.
- Verifique que la corriente eléctrica que alimenta al aparato esté activada.
- Verifique que los componentes del quemador estén colocados correctamente.



Montaje correcto

Montaje incorrecto

Interrupción de la corriente eléctrica

Si hubiera una interrupción de corriente eléctrica, gire todas las perillas de control de los quemadores hasta la posición OFF (apagado). Los quemadores pueden encenderse acercando un cerillo encendido al costado del quemador y girando la perilla de control hasta la posición HI (alto). Espere hasta que la flama esté encendida en toda la circunferencia del quemador antes de regularla.

Ollas y sartenes

⚠ ADVERTENCIA!

Nunca utilice platos de plástico o aluminio sobre los quemadores.

Utilizar un wok

Utilice su wok exclusivamente en el quemador central. No utilice un wok con dimensiones más allá de las 18" (45cm).

Cuando haga uso de cualquier tipo de wok, asegúrese de que éste no empuje a otras ollas o sartenes hacia los lados, lo cual causará la inestabilidad de los mismos o hará que el calor se desvíe hacia las paredes cercanas o hacia la superficie del gabinete.

Aro de soporte del wok (algunos modelos solamente)

Asegúrese de que el aro del wok encaje exactamente en los cuatro soportes de la parrilla. Utilice siempre el aro de soporte del wok cuando cocine con él.

Utilizar la placa 'SimmerMat' (algunos modelos solamente)

'SimmerMat' le ayuda a controlar la temperatura de la superficie de cocción para asegurar una cocción lenta y prolongada, indispensable para preparar alimentos delicados. **Utilice solamente con fuego lento.**

Para utilizar el 'SimmerMat'

- 1 Cocine primero la comida, o hierva, a temperatura alta.
- 2 Apague el quemador y coloque cuidadosamente el 'SimmerMat' sobre la hornilla con los vástagos hacia arriba. Encienda el quemador de nuevo, ponga la perilla en LO (bajo) y coloque la sartén o la olla encima de los vástagos e inicie la cocción a fuego lento.

No utilice una almohadilla de asbesto o cubiertas decorativas entre la flama y la cacerola, ya que esto puede causar un daño severo a la parrilla.

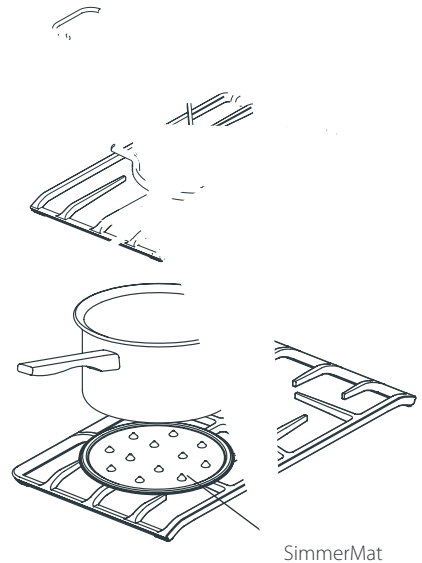
⚠ ADVERTENCIA!



Peligro de superficie caliente

No toque las parrillas mientras estén calientes.

El no hacer lo puede causarle quemaduras o escaldaduras.



⚠ ADVERTENCIA!



Peligro de superficie caliente

Apague siempre el quemador antes de retirar el 'SimmerMat' del quemador y sosténgalo con una agarradera.

El no hacerlo puede causar quemaduras y escaldaduras.

Al utilizar sartenes o cacerolas

- Tenga cuidado al cocinar con cacerolas o sartenes grandes y que éstas no sobresalgan hacia la mesa de trabajo, porque pueden dañar la superficie.
- Sostenga el mango de la cacerola para evitar que se mueva mientras revuelve los alimentos que esté cocinando.
- Las cacerolas deberán contar con una base gruesa y plana. La cocción de alimentos en un recipiente de fondo disperejo tomará más tiempo.
- Las cacerolas muy pesadas pueden doblar la rejilla o desviar la flama.
- Coordine la base de las cacerolas con la zona de cocción y asegúrese de que sean estables. Esto le garantizará una cocción más eficiente.

La plancha

Utilizar la plancha (algunos modelos solamente)

La plancha es ideal para cocinar diversos tipos de alimentos. Cocine bisteces, cortes de carne finos, sándwiches pequeños y vegetales al carbón sobre la parte acanalada y prepare bizcochos, hot cakes, hot cakes a la escocesa, polenta y huevos sobre la parte plana.

Las superficies de la plancha de hierro fundido se volverán gradualmente menos pegajosas debido al efecto de los aceites quemados. Este proceso de 'sazón' puede iniciarse al curar ambas caras de la plancha con aceite para cocinar y meterla al horno a 300 °F (150 °C) durante una hora aproximadamente.

Cocinar con la plancha

- Utilice la plancha únicamente encima de los dos quemadores del lado izquierdo.
- Caliente la plancha durante unos minutos antes de utilizarla.
- Unte los alimentos (no la parrilla) con aceite para reducir las salpicaduras y el humo.
- Cocine los bisteces y las verduras a altas temperaturas sobre la parte acanalada de la plancha. Voltee el bistec una vez solamente a la mitad del proceso de cocción aproximadamente, y haga la prueba presionando la superficie del bistec. Mientras más suave esté la carne, menos cocida quedará.
- Los bizcochos, hot cakes, hot cakes a la escocesa, polenta o huevos se cocinan mejor lentamente a temperaturas de medias a bajas, sobre la parte plana de la plancha.

¡Importante!


Cocinar con la plancha a temperaturas altas durante periodos prolongados puede dañar su parrilla.

Limpieza de la plancha de hierro fundido

- Deje enfriar la plancha antes de limpiarla. Raspe cualquier residuo de alimentos y lávela con agua caliente jabonosa.
- No restriegue hasta dejar el metal al descubierto, ya que quitará la capa formada a través del proceso de cocción que sirve para que los alimentos no se peguen.
- Seque la plancha muy bien y pásele una capa delgada de aceite para cocinar por encima para prevenir que se oxide, especialmente cuando la plancha sea nueva.

Cuidado y limpieza

Aplique agua jabonosa con una esponja o trapo suave para limpiar la parrilla y seque bien. Limpie la parrilla regularmente antes de que los residuos se quemen. El empapar las manchas difíciles con el trapo jabonoso por unos cuantos minutos ayudará a eliminarlas con más facilidad. Las rejillas de los quemadores pueden meterse a la máquina lavavajillas. Si los residuos permanecen, siga los procedimientos que se indican más abajo.

⚠ ADVERTENCIA!	
	<p>Peligro de superficie caliente</p> <p>Antes de limpiar, asegúrese de que los quemadores estén apagados y que toda la parrilla esté fría.</p> <p>El no hacerlo puede causarle quemaduras y escaldaduras.</p>

- Utilice siempre el producto de limpieza más suave que pueda. Utilice trapos suaves, esponjas o toallas de papel limpios.
- Limpie los acabados de acero inoxidable cepillado teniendo en cuenta siempre el grano.
- Seque completamente para evitar manchas de humedad.
- No limpie las partes de la parrilla en ningún horno de auto-limpieza.
- Después de limpiar, coloque todas las partes de la parrilla en su posición original antes de utilizarla.
- Enjuague y limpie todos los residuos del producto de limpieza ya que si se calientan pueden manchar la parrilla permanentemente.

¡Importante!

La lista de productos de limpieza que se recomienda en la siguiente página es sólo enunciativa y no constituye una obligación de su empleo. Utilice todos los productos de acuerdo a las instrucciones que vienen en el paquete.

Los productos de limpieza que figuran en la lista sólo pueden aplicarse en los equipos 'F&P Gas cooktops' y no para otro tipo de aparatos eléctricos que contengan terminados en acero inoxidable.

Cuidado y limpieza

Tabla de limpieza de la parrilla

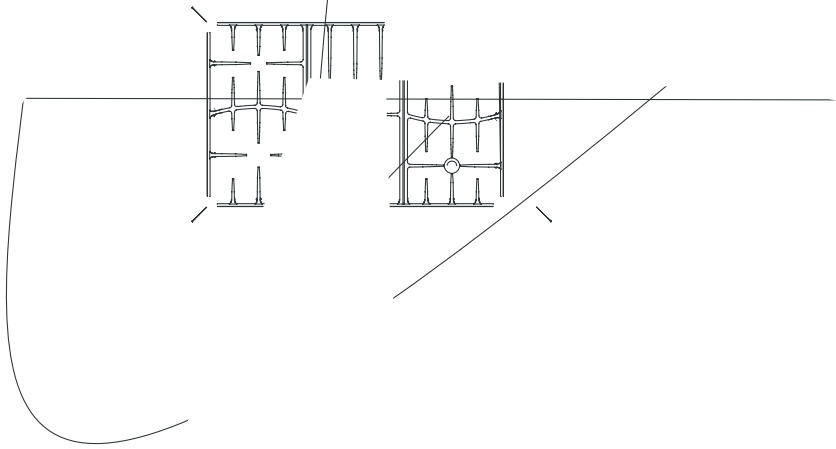
Accesorio	Limpieza	Importante
Quemadores, tapas de quemador y "SimmerMat", superficies esmaltadas	<ul style="list-style-type: none"> ■ Agua jabonosa caliente y fibra de nylon ■ Remojar en una solución de detergente biológico para ropa p.ej. Surf® ■ Limpiadores abrasivos suave, p.ej., Bon Ami® ■ Limpiador para hornos anti-humo, p.ej. Easy Off® ■ Limpiador para hornos, p.ej., Easy Off® 	<p>Deje siempre enfriar las partes de la parrilla totalmente antes de realizar cualquier labor de limpieza. Remueva cualquier residuo tan pronto como las tapas de los quemadores estén frías para evitar que los residuos se quemen.</p>
Partes del quemador	<ul style="list-style-type: none"> ■ Agua jabonosa caliente. ■ Para limpiar los orificios utilice un cepillo duro de nylon o de alambre o un clip desdoblado. ■ Limpiadores abrasivos suave como Bon Ami® 	<p>Vuelva a colocar las partes del quemador en forma correcta.</p>
Perillas de control	<ul style="list-style-type: none"> ■ Agua jabonosa caliente y un trapo suave. ■ Limpiadores abrasivos suave como Bon Ami® 	<p>Siempre aplique una presión mínima con los limpiadores abrasivos.</p>
Acero inoxidable exterior Cepillado e Iridium	<ul style="list-style-type: none"> ■ Remoje las manchas con un trapo caliente, enjuague y seque totalmente. ■ Las manchas de agua dura pueden quitarse con vinagre casero blanco. ■ Limpiador de acero inoxidable no- abrasivo como «3M Stainless Steel Cleaner & Polish». El uso continuo del limpiador-pulidor de acero inoxidable reducirá las huellas digitales así como otras manchas. ■ Las manchas pesadas se pueden quitar con un limpiador de hornos como Easy Off®. 	<p>Nunca utilice un agente limpiador áspero/abrasivo ya que puede dañar el acabado de acero inoxidable.</p> <p>El cloro o los compuestos de cloro de algunos limpiadores son corrosivos para el acero inoxidable y puede dañar la apariencia de su parrilla. Verifique la etiqueta de su limpiador antes de usar.</p>
Electrodos de ignición	<ul style="list-style-type: none"> ■ Con un cepillo de dientes y alcohol de frotación.. 	<p>Un electrodo sucio o mojado evitará que el quemador se encienda de forma eficiente.</p>

ES

limpiez

3 parrillas

te para wok va al ce,



Preguntas frecuentes

P ¿Cuál es la mejor manera de limpiar el acero inoxidable?

R Vea las instrucciones de cuidado y limpieza.

P ¿Cómo puedo limpiar las rejillas de los quemadores y los quemadores?

R Las rejillas se pueden lavar en la máquina lavavajillas o alternativamente con un producto de limpieza de pasta y una fibra de nylon. Los quemadores se lavan mejor en agua caliente (véase instrucciones de cuidado y limpieza).

P Todos los quemadores chisporrotean al mismo tiempo cuando quiero encender uno. ¿Es esto normal?

R Sí, han sido diseñados para ello.

P ¿Por qué no enciende mi parrilla?

R Primero, verifique que esté conectada al enchufe. También puede ser que los encendedores de gas se encuentren sucios, los cuales puede limpiar fácilmente frotándoles alcohol con un cepillo de dientes. (Véase también: "Solución de problemas").

P ¿Los gráficos de mi parrilla se desprenderán con el paso del tiempo?

R No, han sido grabados con láser.

P Las flamas de mi quemador son de color amarillo y de baja intensidad al comienzo. ¿Es esto correcto?

R No, las causas pueden ser varias:

1. Si utiliza gas embotellado, esto indica que el tanque está por terminarse.
2. Su parrilla puede no estar preparada para el gas que está utilizando, consulte con su instalador o proveedor de gas.
3. La presión del gas puede no estar en el nivel correcto, consulte con su instalador o proveedor del servicio de mantenimiento.
4. Véase "Solución de problemas".

P Uno de mis quemadores tiene una flama dispareja, ¿qué puedo hacer?

R Verifique que las piezas del quemador estén ensambladas correctamente.

P ¿Qué tamaño de ollas o cacerolas debo utilizar?

R Por lo general las cacerolas más grandes son más eficientes en materia de energía (véase "Ollas y sartenes").

P ¿Necesito sartenes especiales para una parrilla a gas?

R No, las sartenes comunes son adecuadas. Recomendamos sartenes de base gruesa para que la temperatura se distribuya en forma pareja y eficiente.

Solución de problemas

Problema	Soluciones posibles
Mi parrilla no enciende	<p>Verifique que esté enchufada y que haya corriente en el enchufe de la pared.</p> <hr/> <p>Los encendedores de gas pueden estar sucios. Los puede limpiar fácilmente frotando alcohol con un cepillo de dientes.</p> <hr/> <p>Las piezas del quemador pueden no estar bien puestas. Verifique el ensamblado y asegúrese de que la tapa del quemador esté en posición correcta.</p> <hr/> <p>Verifique que la válvula de suministro de gas esté abierta y que el suministro a la casa funcione. Se debe oír el fluido del gas cuando encienda un quemador.</p>
Las flamas de mi quemador son de color amarillo o bajas de intensidad al comienzo.	<p>Las piezas del quemador pueden no estar colocadas correctamente. Verifique el ensamblado y asegúrese de que la tapa del quemador esté en la posición correcta.</p> <hr/> <p>Si utiliza gas envasado esto puede indicar que se está acercando el final del tanque.</p> <hr/> <p>Verifique que las piezas del quemador no estén obstruidas por agua.</p> <hr/> <p>La presión de gas puede no ser la indicada, verifique esto con su instalador.</p>
Uno de los quemadores tiene una flama dispareja	<p>Verifique que las piezas del quemador hayan sido ensambladas correctamente, y que la tapa del quemador esté colocada adecuadamente sobre el quemador.</p>
Mi parrilla chisporrotea	<p>Su parrilla registra que la flama se ha apagado. Esto puede haber sido ocasionado por corrientes de aire que afectan la flama, por ejemplo corrientes de aire desde arriba.</p> <hr/> <p>Verifique que los electrodos de ignición se encuentren limpios y secos.</p> <hr/> <p>Su suministro de energía puede no haber sido conectado a tierra adecuadamente, o, en una casa más antigua, tal vez no se haya observado la polaridad correcta al hacer el cableado.</p>
La flama se apaga en las posiciones bajas.	<p>El suministro de gas puede no tener la presión necesaria, verifique con el Instalador.</p> <hr/> <p>El ajuste de intensidad baja puede estar mal regulado. Verifíquelo con su instalador.</p>

Garantía limitada

Cuando usted adquiere algún producto electrodoméstico nuevo de la marca Fisher & Paykel para uso personal o doméstico, usted recibe automáticamente una Garantía Limitada por dos años que cubre partes y mano de obra para reparaciones dentro de los 48 Estados Unidos continentales, Hawaii, Washington D.C. y Canadá. En Alaska, la Garantía Limitada es la misma excepto que usted debe pagar para enviar el Producto al servicio técnico, o pagar el viaje del técnico a su casa. Para que los productos puedan utilizarse en Canadá, deben adquirirse a través del canal de distribución canadiense para asegurar el cumplimiento de los ordenamientos correspondientes.

Si el Producto se instala en un vehículo motorizado, bote o instalación móvil similar, usted recibe la misma Garantía Limitada por dos años, pero deberá llevar el vehículo, bote o instalación móvil que contiene el Producto al servicio técnico, o pagar el viaje del técnico hasta la ubicación donde se encuentre el Producto.

Fisher & Paykel se compromete a:

Reparar sin costo para el dueño tanto en lo que se refiere a materiales como mano de obra, cualquier parte del Producto que esté defectuosa y cuyo número de serie aparece en el Producto. En Alaska, usted debe pagar por el envío del Producto al servicio técnico, o pagar el viaje del técnico a su casa. Si el producto se instala en un vehículo motorizado, bote o instalación móvil similar, usted deberá llevarlo al servicio técnico, o pagar el viaje del técnico hasta la ubicación donde se encuentre el Producto. Si no podemos reparar una parte defectuosa del Producto después de una cantidad razonable de intentos, a discreción nuestra podemos reemplazar la parte del Producto, o podemos devolverle la totalidad del precio de compra del Producto (sin incluir costos de instalación u otros costos).

Esta garantía se extiende al comprador original y a cualquier dueño sucesivo del Producto para Productos adquiridos para uso doméstico normal de una sola familia.

Todo servicio bajo esta Garantía Limitada deberá ser suministrado por Fisher & Paykel o su Agente de Servicio Técnico Autorizado en horas hábiles.

¿Qué vigencia tiene esta Garantía Limitada?

Nuestra responsabilidad bajo las condiciones de esta Garantía Limitada caduca a los DOS AÑOS de la fecha de compra del Producto por parte del primer usuario.

Nuestra responsabilidad bajo cualquier garantía implícita, incluyendo la garantía implícita de comerciabilidad (una garantía que no se da por escrito de que el Producto es adecuado para el uso normal) también caduca al AÑO (o un período de duración más largo tal como sea requerido por la ley aplicable) desde la fecha de compra del Producto por parte del primer usuario. Algunos estados no permiten limitaciones acerca de la vigencia de una garantía implícita, así que éste límite sobre las garantías implícitas puede no puede ser aplicable en su caso.

Esta garantía no cubre:

- A** Visitas del servicio técnico que no están relacionadas con cualquier defecto en el Producto. El costo del servicio técnico se le cobrará a usted si no se encuentra que el problema sea un defecto del Producto. Por ejemplo:
 1. Corregir una instalación mal hecha del Producto.
 2. Enseñarle a utilizar el Producto.
 3. Reemplazar fusibles de la casa, ajustar disyuntores de circuitos, corregir el cableado o plomería de la casa, o reemplazar bombillas eléctricas.
 4. Corregir descomposturas ocasionadas por el usuario.
 5. Cambiar la configuración del Producto.
 6. Modificaciones no autorizadas del Producto.
 7. Ruido y vibración considerados normales, por ejemplo sonidos de desagüe, sonidos de regeneración o sonidos de aviso al usuario.
 8. Corrección de daños ocasionados por plagas, por ejemplo ratas, cucarachas, etc.
- B** Desperfectos ocasionados por factores que no sean:
 1. De uso doméstico normal o
 2. De empleo de acuerdo con la Guía del Usuario del Producto.
- C** Desperfectos causados al producto ocasionados por accidente, negligencia, mal uso, fuego, inundaciones o causas naturales fuera de control.
- D** El costo de las reparaciones llevadas a cabo por instaladores no autorizados, o el costo de corregir tales reparaciones no autorizadas.
- E** Gastos de viaje y gastos relativos cuando el producto tiene que instalarse en una ubicación con acceso limitado o restringido (p.ej., vuelos de aviones, tarifas de ferry, áreas geográficas aisladas).
- F** Mantenimiento normal recomendado según se establece en la Guía del Usuario del Producto.

Si tiene un problema de instalación llame a su proveedor o instalador. Usted es responsable de proporcionar las conexiones eléctricas, de escape y otras instalaciones de conexión adecuadas. No somos responsables por daños consecuentes o fortuitos (el costo de reparar o reemplazar cualquier daño en propiedad, si el producto está defectuoso o cualquiera de sus gastos ocasionados si el Producto está defectuoso). Algunos estados no permiten la exclusión o limitación de daños fortuitos o consecuentes, por lo que la limitación o exclusión de más arriba puede no ser aplicable en su caso.

Cómo conseguir el servicio técnico

Por favor lea su Guía del Usuario. Si luego tiene alguna pregunta acerca de cómo operar el Producto, precisa el nombre de su Agente local de Servicio Técnico Autorizado por Fisher & Paykel, o cree que el Producto es defectuoso y desea repararlo bajo esta Garantía Limitada, por favor contáctese con su proveedor o llámenos gratis al:

1-888-9-FNP-USA (1-888-9-367-872)

o contáctenos a través de nuestro sitio en Internet: www.usa.fisherpaykel.com

Se le puede solicitar que suministre prueba razonable de la fecha de compra del Producto antes de reparar el Producto bajo esta Garantía Limitada.

Uso comercial

Si usted utiliza el Producto en un entorno comercial (cualquier uso que no sea una vivienda para una sola familia), nos comprometemos a reparar o reemplazar, sin costo para usted en cuanto a partes solamente, cualquier parte defectuosa, cuyo número de serie aparece en el Producto. Nuestra responsabilidad sobre estas reparaciones caduca al AÑO de la fecha de compra original.

A discreción nuestra, podremos reemplazar la parte o el Producto, o podremos devolverle la totalidad del precio de compra del Producto (sin incluir costos de instalación u otros costos). Cualquier servicio que se proporciona con base en esta Garantía Limitada, deberá proporcionarse por parte de Fisher & Paykel o su Agente de Servicio Técnico Autorizado en horas hábiles.

Ninguna otra garantía

Esta Garantía Limitada constituye el acuerdo total y exclusivo entre Usted y Fisher & Paykel en relación a cualquier defecto del Producto. Ninguno de nuestros empleados (o nuestros Agentes de Servicio Técnico Autorizados) están autorizados para realizar ningún anexo o modificación a esta Garantía Limitada.

Garante: Fisher & Paykel Appliances, Inc.

Si usted necesita más ayuda en relación a esta Garantía Limitada, por favor llámenos al número arriba indicado o escríbanos a:

Fisher & Paykel Appliances, Inc.

5900 Skylab Road

Huntington Beach, Ca 92647

USA

Esta Garantía Limitada le otorga derechos legales específicos, y usted puede contar también con otros derechos que varían de estado a estado.



AVERTISSEMENT!

Il est impératif de suivre à la lettre les instructions comprises dans le présent manuel, à défaut de quoi il pourrait survenir un feu ou une explosion causant des dommages matériels, des blessures corporelles ou la mort.

Ne pas entreposer ou utiliser de l'essence ou d'autres vapeurs et liquides inflammables à proximité de cet appareil ou de tout autre appareil.

NE JAMAIS utiliser cet appareil pour réchauffer ou chauffer une pièce. Dans ce cas, l'empoisonnement au monoxyde de carbone et/ou la surchauffe de la surface de cuisson pourraient survenir.

QUE FAIRE SI VOUS DÉCELEZ UNE ODEUR DE GAZ

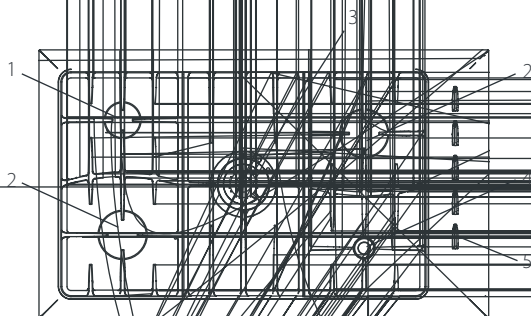
- Ne pas essayer d'allumer un quelconque appareil.
- Ne pas toucher d'interrupteur électrique.
- Ne pas utiliser un quelconque téléphone dans votre bâtiment.
- Appeler immédiatement votre fournisseur de gaz en utilisant le téléphone d'un voisin et suivre ses directives.
- S'il ne peut être joint, appeler les pompiers.

L'installation et l'entretien devront être confiées à un installateur dûment qualifié, une société d'entretien ou le fournisseur de gaz.

Présentation de votre table de cuisson

Maintenant que votre nouvelle table de cuisson est installée et prête à utiliser, il serait avisé d'en apprendre autant que possible à son sujet afin d'obtenir d'excellents résultats dès le début. Le présent livret vous présentera les fonctions et les qualités spéciales de votre table de cuisson. Nous vous recommandons de le lire en entier avant de commencer à utiliser votre table de cuisson afin d'assurer le succès et la sécurité de l'utilisation.

Emplacement des fonctions



1. Brûleur à feu sans rapide
2. Brûleur à feu rapide
3. Brûleur à gaz
4. Brûleur auxiliaire
5. Bouton de réglage de la table de cuisson

Important!

CONSERVER CES INSTRUCTIONS

Les modèles illustrés dans ce guide de l'utilisateur peuvent ne pas être offerts dans tous les marchés et sont sujets à modification en tout temps. Pour connaître le modèle et les spécifications applicables à votre pays, veuillez visiter notre site Web à www.fisherpaykel.com ou communiquer avec le représentant Fisher & Paykel de votre région.

Utilisation sécuritaire de la table de cuisson

Votre sécurité est importante pour nous

Le présent manuel comporte des avis de sécurité répertoriés sous des symboles d'avertissement. Veuillez prêter une attention spéciale à ces symboles et respecter les instructions énoncées.



Ce symbole vous avertit de dangers tels que les incendies, les risques d'électrocution ou d'autres blessures.

Consignes de sécurité importantes

Généralités

- Veiller à faire installer la table de cuisson par un technicien compétent et conformément aux instructions d'installation.
- S'assurer que l'installateur vous montre comment et à quel endroit couper le gaz et le courant électrique.
- Utiliser cet appareil à ses fins prévues, tel que le stipule le présent guide de l'utilisateur.
- Afin d'éviter tout risque de brûlure ou d'incendie, éloigner les vêtements amples, les manicles et tout autre matériau inflammable de la flamme du brûleur.
- Utiliser systématiquement des manicles afin de retirer des plats de la table de cuisson. Ne pas utiliser de gants humides ou mouillés au risque de provoquer des brûlures par vapeur. Ne pas retirer les plats au moyen de serviettes ou de tissu similaire.
- Lors de la friture des matières grasses, vérifier que la poêle est suffisamment grande pour éviter tout débordement dû à l'ébullition des matières grasses. Ne pas faire frire des aliments à teneur élevée en humidité ou des aliments recouverts de givre.
- Tourner les manches et poignées sur le côté ou à l'arrière de la table de cuisson, hors de la portée des enfants.
- Les poignées ne doivent pas être placées sur les brûleurs adjacents.
- Vérifier systématiquement que les boutons de contrôle sont sur la position Off (arrêt) au terme de la cuisson.
- Lors de l'utilisation de la table de cuisson, les surfaces peuvent devenir assez chaudes pour causer des brûlures.
- Ne pas laisser d'enfants seuls ou sans surveillance à proximité de la table de cuisson. Ne jamais laisser des enfants se tenir, s'asseoir ou jouer à proximité de la table de cuisson, ni sur celle-ci.
- Ne pas laisser la table de cuisson sans surveillance lorsqu'elle est allumée. Ne pas utiliser la table de cuisson afin de faire chauffer des contenants alimentaires comme les boîtes de conserve. Cela entraînera l'éclatement du contenant et pourrait causer des blessures.

Fonctionnement

- Ne pas jeter d'eau sur les incendies par matière grasse au risque de provoquer une violente explosion de vapeur.
- Ne pas stocker ou utiliser de matériaux inflammables, d'essence ou d'autres liquides et vapeurs inflammables à proximité de la table de cuisson ou de tout autre appareil.
- Ne pas utiliser le brûleur s'il lui manque une pièce quelconque.
- Garder les revêtements muraux inflammables, les rideaux et les stores à une distance sûre de la table de cuisson.
- À des fins de sécurité, la taille de la flamme du brûleur devra être ajustée de manière à ce qu'elle ne dépasse pas le rebord des ustensiles de cuisine.
- Utiliser des ustensiles de taille et de conception appropriées pour ce type de cuisson. Il faut que les ustensiles correspondent aux dimensions de la grille en fonte.
- Ne pas vaporiser d'aérosols à proximité de cet appareil pendant qu'il fonctionne.
- NE JAMAIS utiliser cet appareil pour réchauffer ou chauffer une pièce. Dans ce cas, l'empoisonnement au monoxyde de carbone et/ou la surchauffe de la surface de cuisson pourraient survenir.
- Ne pas se tenir debout sur cette table de cuisson au gaz.
- Faire attention en étendant le bras pour prendre des articles entreposés dans les cabinets situés au-dessus de la table de cuisson. Des matières inflammables pourraient prendre feu en entrant en contact avec une flamme ou des surfaces chaudes et pourraient causer de graves brûlures.
- À des fins de sécurité, ne pas entreposer d'articles pouvant intéresser les enfants au-dessus de la table de cuisson ou derrière celle-ci.

Entretien

- Ne pas laisser les graisses de cuisson ou d'autres matériaux inflammables s'accumuler à proximité de la table de cuisson.
- Ne pas réparer ou remplacer une quelconque pièce de cet appareil à moins que le présent manuel ne le recommande expressément. Tous les travaux d'entretien devront être confiés à un technicien qualifié.
- Débrancher la table de cuisson de la prise électrique et couper l'arrivée du gaz au niveau de la soupape d'arrêt avant de procéder à la l'entretien de cet appareil.
- Cet appareil est équipé d'une fiche de mise à la terre à trois broches pour vous protéger du danger de choc électrique; il faut le brancher directement dans une prise mise à la terre de façon appropriée. Ne pas couper ni retirer les broches de masse de cette fiche.
- Ne pas obstruer l'air de combustion ou de ventilation circulant vers la table de cuisson.

Risques environnementaux

- La loi californienne nommée California Safe Drinking Water and Toxic Enforcement Act exige que le gouverneur de la Californie publie une liste des substances que l'état estime comme des causes de cancer, d'anomalies congénitales ou d'autres dangers pour la reproduction; elle exige aussi que les entreprises avertissent les consommateurs de la possibilité d'une exposition à de telles substances.

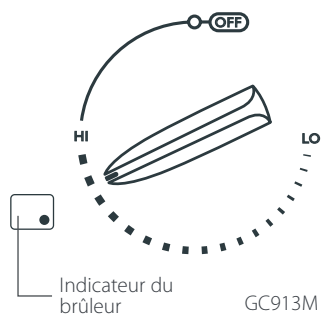
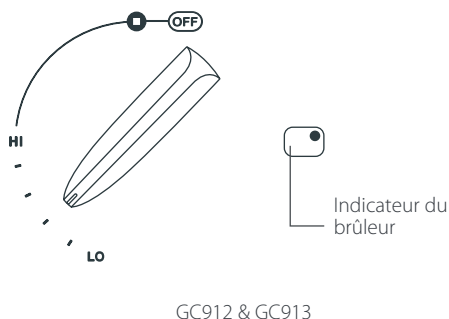
Les appareils d'utilisation du gaz peuvent causer une légère exposition à quatre de ces substances, c.-à-d. le benzène, le monoxyde de carbone, le formaldéhyde et les particules de suie; ces substances sont principalement émises par la combustion incomplète de gaz naturel ou de gaz de pétrole liquéfiés (GPL).

Dans le but de minimiser la combustion incomplète, ajuster les brûleurs de façon adéquate en s'assurant que la flamme passe du jaune au bleu. L'aération procurée par une fenêtre ouverte ou par un ventilateur permettra de réduire davantage l'exposition à ces substances.

Utilisation de votre table de cuisson

La présente section vous indique comment vous servir adéquatement de votre table de cuisson

Sélectionner le bouton de réglage du brûleur que vous voulez utiliser. Appuyer sur le bouton tout en le tournant dans le sens inverse des aiguilles d'une montre jusqu'au symbole HI (élevé) (voir ci-dessous). Tous les allumeurs feront des étincelles jusqu'à ce que le gaz s'enflamme sur le brûleur sélectionné.



Réglage de la flamme

La flamme s'ajuste n'importe où entre le symbole HI (élevé) et LO (faible). Ne pas régler la flamme entre les symboles HI (élevé) et OFF (arrêt).

Contrôle de la température

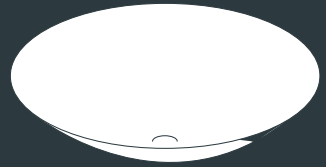
Votre table de cuisson se caractérise par plusieurs réglages de la température allant de la cuisson lente délicate aux températures élevées intenses requises pour porter à ébullition et saisir des aliments. À mesure que le bouton de réglage est tourné dans le sens des aiguilles d'une montre, la chaleur augmente.

Pour la cuisine générale, tourner le bouton de réglage sur la position HI (élevé) pour commencer la cuisson ou porter des aliments à ébullition et régler ensuite la température au besoin. Une fois que la poêle est chaude, réduire la température pour maintenir une chaleur régulière qui cuira vos aliments. Cela réduira le temps de cuisson.

Les résultats varieront en fonction du type de poêle utilisée et des quantités à cuire. Il vous faudra faire des essais avec les réglages de la température pour obtenir le résultat de cuisson désiré. Différents types d'ustensiles de cuisine varieront en efficacité.

automatique)

assure votre commodité et votre sécurité. La fonction de



AVERTISSEMENT!

Danger - Surface
chaude

Toujours éteindre
le brûleur avant de
déplacer le rond
 mijoteur et manipuler
ce dernier au moyen
de manicles afin de
prévenir les blessures.

Tout défaut
d'observer cette
précaution pourrait
entraîner des
brûlures.

Utilisation des casseroles

- Ne pas laisser les grosses casseroles ou poêles à frire dépasser sur le plan de travail au risque de faire dévier la chaleur sur votre plan de travail et d'endommager la surface.
- Tenir le manche de la casserole pour empêcher tout mouvement des ustensiles de cuisson pendant que vous remuez.
- Les casseroles devront avoir un fond plat et épais. Les aliments placés dans une casserole ayant un fond irrégulier mettront plus de temps à cuire.
- Les casseroles extrêmement lourdes pourraient faire courber la grille ou dévier la flamme.
- Utiliser un brûleur correspondant à la taille de votre casserole et vérifier sa stabilité. Vous obtiendrez ainsi une cuisson des plus efficaces.

La plaque

Utilisation de la plaque chauffante (certains modèles seulement)

La plaque chauffante est idéale pour cuire une variété d'aliments. Faire cuire le steak, les coupes de viande tendres, les panini et les légumes cuits au charbon de bois sur le côté strié et les petits pains au lait, les crêpes, les petites galettes épaisses, les polenta et les œufs sur le côté plat.

Les surfaces de la plaque chauffante en fonte perdent de l'adhérence au fur et à mesure que les huiles de cuisson s'y incrustent. On peut amorcer le processus d'apprêtage en enduisant d'huile de cuisson les deux surfaces de la plaque et en faisant chauffer celle-ci dans le four à 150 °C (300 °F) durant une heure environ.

Cuisson sur plaque chauffante

- Utiliser uniquement la plaque située sur les deux brûleurs de gauche.
- Faire chauffer la plaque durant quelques minutes avant de l'utiliser.
- Avant la cuisson, vaporiser un peu d'huile sur les aliments, et non pas sur la plaque. Cela évitera les éclaboussures et la formation de fumée.
- Faire cuire le steak et les légumes à des températures élevées sur le côté strié de la plaque. Ne retourner le steak qu'une seule fois, lorsque le temps de cuisson est à moitié écoulé; vérifier la cuisson en appuyant sur la surface du steak. Plus la viande est tendre, moins le steak est cuit.
- Les petits pains au lait, les crêpes, les petites galettes épaisses, les polenta et les œufs conviennent à une cuisson lente, effectuée à des températures moyennes à élevées, sur le côté plat de la plaque.

Important!

Une cuisson prolongée sur la plaque, à des températures élevées, pourrait endommager la table de cuisson.

Nettoyage de la plaque chauffante en fonte

- Laisser la plaque refroidir avant de nettoyer. Gratter tout résidu d'aliments et laver au savon et à l'eau tiède.
- Ne pas récuser le métal nu durant le nettoyage; autrement, l'enduit antiadhérent accumulé pendant la cuisson disparaîtra.
- Bien faire sécher la plaque chauffante et l'essuyer en laissant une fine couche d'huile de cuisson afin de prévenir la formation de rouille, spécialement lorsque la plaque est neuve.

Entretien et nettoyage

Nettoyer la table de cuisson en appliquant de l'eau savonneuse au moyen d'une éponge, puis rincer avec de l'eau propre et sécher à fond. Nettoyer la table de cuisson régulièrement avant que les déversements ne deviennent brûlés. Le fait de tremper les taches tenaces sous un linge savonneux facilitera leur disparition. Les grils peuvent être lavés au lave-vaisselle. Si les taches tenaces persistent, appliquer les méthodes de nettoyage recommandées ci-dessous.

⚠ AVERTISSEMENT!



Hasard chaud de Surface

Avant de nettoyer, s'assurer que les brûleurs sont éteints et que la table de cuisson est tiède.

Tout défaut d'observer cette précaution pourrai entraîner des brûlures.

- Toujours utiliser le produit nettoyant le plus doux qui fera le nécessaire. Se servir de linges, d'éponges ou de serviettes en papier alliant douceur et propreté.
- Nettoyer l'enduit brossé de l'acier inoxydable dans le sens du grain.
- Sécher à fond afin d'éviter toute trace d'eau.
- Ne jamais nettoyer les composantes de la table de cuisson d'un four autonettoyant.
- Après le nettoyage, remettre toutes les composantes de la table de cuisson en place avant de l'utiliser à nouveau.
- Rincer et essuyer tout résidu de produit nettoyant, car lorsqu'ils sont chauffés, ceux-ci peuvent tacher la table de cuisson de façon permanente.

Important!

Les recommandations figurant à la page suivante préconisent l'emploi de certains types de nettoyants; elles ne constituent pas une approbation d'une marque en particulier. Utiliser tous les produits conformément aux instructions connexes.

Les procédés de nettoyage indiqués ci-contre ne s'appliquent qu'aux tables de cuisson à gaz F&P et ne conviennent pas aux autres appareils dotés d'un revêtement en acier inoxydable.

Entretien et nettoyage

Graphique sur le nettoyage de la table de cuisson

Composante de la table de cuisson	Nettoyage	Important
Grilles, cuvettes des brûleurs et rond mijoteur, revêtement d'émail vitreux	<ul style="list-style-type: none"> ■ Eau chaude savonneuse et tampon en nylon ■ Trempage dans une solution de détergents à chiffon biologique, p. ex., Surf®. ■ produits d'entretien légèrement abrasifs, p. ex., Bon Ami® ■ produit nettoyant de four sans émanations, p. ex., Easy Off® ■ produit nettoyant de four à usage intensif, p. ex., Easy Off® 	Toujours laisser les composantes de la table de cuisson refroidir complètement avant de les nettoyer. Enlever tout déversement dès que les cuvettes de brûleur sont refroidies afin d'éviter que la tache ne devienne brûlée.
Composantes du brûleur	<ul style="list-style-type: none"> ■ Eau chaude savonneuse ■ Pour nettoyer les trous, utiliser une brosse ou un fil de nylon dur, p. ex., un trombone à extrémité droite ■ Des produits d'entretien légèrement abrasifs, p. ex., Bon Ami® 	Remonter les composantes du brûleur correctement.
Boutons de commande	<ul style="list-style-type: none"> ■ Eau chaude savonneuse et chiffon doux ■ Des produits d'entretien légèrement abrasifs, p. ex., Bon Ami® 	Toujours appliquer une pression minimale avec les produits nettoyants abrasifs.
Revêtement en acier inoxydable Revêtement brossé en iridium	<ul style="list-style-type: none"> ■ Tremper la tache sous un chiffon humecté d'eau chaude et savonneuse, rincer et sécher à fond. ■ Les traces d'eau dure peuvent être enlevées au moyen de vinaigre blanc. ■ Les produits nettoyants non abrasifs destinés à l'acier inoxydable, comme le 3M Stainless Steel Cleaner and Polish. L'usage régulier d'un produit polissant pour l'acier inoxydable réduira les marques d'empreinte et les autres marques. ■ Les taches tenaces peuvent être enlevées au moyen de produit nettoyants à four, comme le Easy Off® Fume Free ou le Easy Off® Heavy Duty. 	<p>Ne jamais utiliser de produit nettoyants forts ou abrasifs car ils endommageront le revêtement d'acier inoxydable.</p> <p>Le chlore ou les produits chlorés que contiennent certains produits exercent une action corrosive sur l'acier inoxydable et pourraient endommager l'apparence de votre table de cuisson. Consulter l'étiquette sur le produit avant d'utiliser ce dernier.</p>
Électrodes d'allumage	<ul style="list-style-type: none"> ■ Brosse à dent et alcool à friction 	Une électrode sale ou mouillée empêchera le brûleur de s'allumer efficacement.

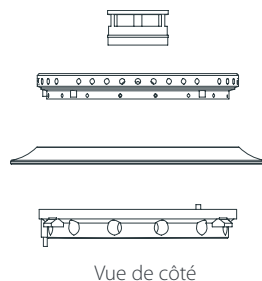
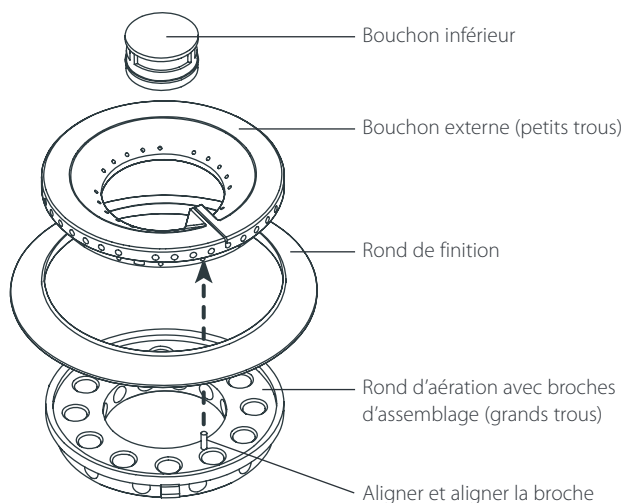
Entretien et nettoyage

Remplacement des grilles

La grille pour wok rabattable se place au centre, au-dessus du brûleur pour wok. Les deux autres grilles sont interchangeables.

Remontage du brûleur pour wok en laiton (certains modèles seulement)

Chaque pièce du brûleur en laiton est dotée de goupilles de montage pour vous aider à l'assembler correctement après le nettoyage. Un mauvais assemblage risque d'entraîner des flammes irrégulières et dangereuses, ainsi que des problèmes d'allumage. Il conviendra de se reporter à ce schéma pour visualiser l'ordre correct d'assemblage. Remarque : Les pièces en laiton du brûleur pour wok se décoloreront au fil de l'utilisation. Cette décoloration n'influera en rien sur les performances du brûleur.



Tourner le rond d'aération pour aligner la broche d'assemblage avec le trou dans la base du brûleur

Foire aux questions

Q Quelle est la meilleure méthode pour nettoyer l'acier inoxydable ?

R Voir les instructions de nettoyage et d'entretien.

Q Comment nettoyer les grilles et les brûleurs ?

R Les grilles peuvent être lavées au lave-vaisselle ou avec de l'eau savonneuse tiède et les brûleurs se lavent à l'eau chaude (voir les instructions de nettoyage et d'entretien).

Q Tous les brûleurs font des étincelles en même temps lorsque j'en allume un seul. Est-ce normal ?

R Oui, cela est tout à fait normal.

Q Pourquoi ma table de cuisson ne s'allume-t-elle pas ?

R Commencer par vérifier qu'elle est bien branchée et que le gaz arrive adéquatement.

Il est également possible que les allumeurs de gaz soient sales. Ils se nettoient facilement avec une brosse à dent et de l'alcool à friction. (Voir le guide de dépannage).

Q Est-ce que les graphiques sur la table de cuisson s'effaceront ?

R Non, ils sont gravés à l'eau forte au laser.

Q Les flammes du brûleur sont jaunes ou lentes à démarrer; est-ce suspect ?

R Oui; plusieurs facteurs peuvent expliquer ce phénomène :

1. Si vous utilisez du gaz en bouteille, cela pourrait signifier que la réserve de gaz de la bouteille s'épuisera de façon imminente.
2. Il est possible que la pression du gaz ne soit pas au niveau approprié; vérifier auprès de l'installateur ou de la personne procédant à l'entretien.
3. Il est possible que la pression du gaz ne soit pas au niveau approprié; vérifier auprès de votre installateur ou de votre expert en réparation.
4. Voir le guide de dépannage.

Q L'un des brûleurs a une flamme irrégulière. Que puis-je faire ?

R Vérifier que les pièces du brûleur sont correctement assemblées et qu'elles ne sont pas obstruées par de l'eau.

Q Quelle taille de casseroles est-il préférable d'utiliser ?

R Les grosses casseroles sont en règle générale recommandées car elles permettent d'économiser plus d'énergie (consulter la rubrique sur les ustensiles de cuisson).

Q Ai-je besoin de casseroles spéciales pour cuisiner sur une table de cuisson au gaz ?

R Les casseroles et poêles normales conviennent. Nous recommandons l'utilisation de casseroles et poêles à fond épais pour assurer une répartition régulière et efficace de la chaleur.

Dépannage

Problème	Solutions possibles
La table de cuisson ne s'allume pas	<p>Vérifier qu'elle est bien branchée et que le courant arrive à la prise murale.</p> <hr/> <p>Il est possible que les allumeurs de gaz soient sales. Ils se nettoient facilement avec une brosse à dent et de l'alcool à friction.</p> <hr/> <p>Il est possible que les pièces du brûleur ne soient pas correctement en place. Vérifier le montage et vérifier que le rond du brûleur repose bien à plat.</p> <hr/> <p>S'assurer que la soupape d'arrivée du gaz est sous tension et que l'arrivée jusqu'à la maison est en ordre. Le son du gaz devrait se faire entendre au moment d'allumer le brûleur.</p>
Les flammes du brûleur sont jaunes ou lentes à démarrer	<p>Il est possible que les pièces du brûleur ne soient pas correctement en place. Vérifier le montage et vérifier que le rond du brûleur repose bien à plat.</p> <hr/> <p>Si vous utilisez du gaz en bouteille, cela pourrait signifier que la réserve de gaz de la bouteille s'épuisera de façon imminente.</p> <hr/> <p>Vérifier que les pièces du brûleur ne sont pas obstruées ou bloquées par de l'eau.</p> <hr/> <p>Il est possible que la pression du gaz ne soit pas au niveau approprié; vérifier auprès de votre installateur ou de votre expert en réparation.</p>
L'un des brûleurs a une flamme irrégulière	<p>Vérifier que les pièces du brûleur sont correctement en place et que le rond du brûleur repose bien à plat.</p>
Ma table de cuisson émet des étincelles	<p>La table de cuisson pense que la flamme s'est éteinte. Il est possible que cela résulte de courants d'air dérangeant la flamme.</p> <hr/> <p>Vérifier que l'allumeur est propre et sec.</p> <hr/> <p>Il est possible que votre alimentation électrique ne soit pas correctement mise à la terre, ou alors que la bonne polarité de câblage n'ait pas été respectée dans une vieille maison.</p>
La flamme s'éteint à feu doux	<p>Il est possible que la pression d'alimentation du gaz soit faible; vérifier auprès de votre installateur ou d'un expert en réparation.</p> <hr/> <p>Il est possible que le réglage sur feu doux ait été mal ajusté; vérifier auprès de votre installateur ou d'un expert en réparation.</p>

Garantie limitée

Lorsque vous achetez un nouvel appareil électroménager Fisher & Paykel pour une utilisation ménagère, vous recevez automatiquement une garantie limitée de deux ans couvrant les pièces de rechange et la main d'oeuvre d'entretien dans les 48 états du continent américain, Hawaï, Washington DC et au Canada. Eu égard à l'Alaska, la Garantie limitée est identique sauf que vous devez prendre en charge les frais d'expédition du produit jusqu'au service d'entretien ou prendre en charge les frais de déplacement du technicien d'entretien jusqu'à votre domicile. Les produits destinés à être utilisés au Canada doivent être achetés par l'intermédiaire de la chaîne de distribution canadienne pour garantir la conformité avec la réglementation en vigueur.

Si le produit est installé dans un véhicule automobile, sur un bateau ou sur une unité mobile similaire, vous bénéficiez de la même garantie limitée de deux ans, mais il relève de votre responsabilité d'amener le véhicule, bateau ou l'unité mobile dans laquelle est installé le produit au service après-vente à vos frais ou de prendre en charge les frais de déplacement du technicien d'entretien jusqu'au lieu où se trouve le produit.

Fisher & Paykel s'engage à :

Réparer sans frais encourus au propriétaire en termes de main d'oeuvre ou de matériel une quelconque partie du produit s'avérant défectueuse. Eu égard à l'Alaska, vous devez prendre en charge les frais d'expédition du produit jusqu'à l'atelier de service ou prendre en charge les frais de déplacement du technicien d'entretien jusqu'à votre domicile. Si le produit est installé dans un véhicule automobile, sur un bateau ou sur une unité mobile similaire, il relève de votre responsabilité d'amener le véhicule, bateau ou l'unité mobile dans laquelle est installé le produit à l'atelier d'entretien à vos frais ou de prendre en charge les frais de déplacement du technicien d'entretien jusqu'au lieu où se trouve le produit. Si nous ne pouvons pas réparer une pièce défectueuse du produit après un nombre raisonnable de tentatives, nous procéderons au remplacement de la pièce ou du produit ou nous vous proposerons de vous rembourser intégralement le prix d'achat du produit (frais d'installation et autres frais étant exclus), selon notre choix.

La présente garantie s'étend à l'acheteur original et à tout propriétaire successoral de produits achetés aux fins d'une utilisation ménagère unifamiliale.

Tout entretien ou réparation effectué en vertu de la présente garantie limitée devra être assuré par Fisher & Paykel ou par son agent agréé durant les heures normales de bureau.

Durée de la cette garantie limitée

Notre responsabilité en vertu de cette garantie limitée expire DEUX ANS après la date d'achat du produit par le premier consommateur.

Notre responsabilité en vertu de toutes garanties implicites, y compris la garantie implicite de qualité marchande (une garantie implicite selon laquelle le produit est adapté à toute utilisation ordinaire) expire également UN AN (ou durée supérieure comme requis par la loi en vigueur) à compter de la date d'achat du produit par le premier consommateur. Certains états n'autorisent pas les limitations sur la durée de la garantie implicite, il est donc possible que les limitations sur les garanties implicites ne vous concernent pas.

Cette garantie ne couvre pas les points suivants :

- A** Les déplacements d'un technicien d'entretien jusqu'à votre domicile pour tout problème non lié à un défaut du produit. Les frais de déplacement vous seront facturés si le problème s'avère ne pas être un défaut du produit. Par exemple :
 1. Rectification d'une mauvaise installation du produit.
 2. Explication de l'utilisation du produit.
 3. Remplacement des fusibles de la maison, réglage des disjoncteurs, correction du câblage ou de la plomberie de la maison ou remplacement des ampoules.
 4. Rectification des défaillances provoquées par l'utilisateur.
 5. Modification de la configuration du produit.
 6. Modifications non autorisées du produit
 7. Bruit ou vibrations considérés normaux, par exemple les bruits de tuyauterie, les bruits de régénération ou les sonneries d'avertissement destinées à l'utilisateur.
 8. Réparation des dommages provoqués par des animaux nuisibles comme les rats ou les cafards, etc.
- B** Défauts causés par des facteurs autres que :
 1. L'utilisation ménagère normale ou
 2. L'utilisation en conformité avec le guide d'utilisation du produit.
- C** Les défaillances du produit causées par un accident, une négligence, une mauvaise utilisation, un incendie, une inondation ou une catastrophe naturelle.
- D** Les frais des réparations effectuées par des réparateurs non autorisés ou les frais associés à la correction de telles réparations non autorisées.
- E** Les frais de déplacement et frais associés encourus lorsque le produit est installé dans un endroit disposant d'un accès limité ou restreint (par ex frais d'avions, frais de ferry et zones géographiques isolées).
- F** Entretien normal recommandé dans le guide de l'utilisateur du produit.

En cas de problème avec l'installation, communiquez avec votre revendeur ou installateur. Les raccordements électriques et d'évacuation et autres raccordements relèvent de votre responsabilité. Nous ne sommes pas responsable des dommages indirects ou consécutifs (les dépenses encourues ou les frais des réparations ou les frais de remplacement d'autres propriétés endommagées si le produit est défectueux). Certains états n'autorisent pas l'exclusion ou la limitation des dommages indirects ou consécutifs; il est donc possible que la limitation ou l'exclusion ci-dessus ne s'applique pas à votre situation.

Comment solliciter le service à la clientèle

Veillez lire le guide de l'utilisateur. Si, après la lecture du guide, vous avez toujours des questions à poser au sujet du fonctionnement du produit, si vous avez besoin de connaître le nom de votre agent de service autorisé Fisher & Paykel local, ou si vous pensez que le produit est défectueux et que vous souhaitez le faire réparer en vertu de la présente garantie limitée, veuillez prendre contact avec votre revendeur ou nous appeler au numéro suivant :

SANS FRAIS 1-888-9-FNP-USA (1-888-9-367-872)

Vous pouvez également visiter notre site Web, à l'adresse suivante : www.usa.fisherpaykel.com

Il est possible qu'il vous soit demandé de fournir une preuve valable de la date d'achat du produit avant que la réparation du produit puisse être acceptée aux termes de la présente garantie limitée.

Usage commercial

Si vous utilisez le produit dans un environnement commercial (toute autre utilisation que dans une habitation unifamiliale), nous nous engageons à réparer ou remplacer, en prenant en charge le coût des pièces uniquement, toute pièce défectueuse dont le numéro de série figure sur le produit. Notre responsabilité eu égard à ces réparations expire UN AN à compter de la date d'achat originale.

Selon notre choix, nous procéderons au remplacement de la pièce ou du produit ou nous vous proposerons de vous rembourser intégralement le prix d'achat du produit (frais d'installation et autres frais étant exclus). Le service en vertu de cette Garantie limitée devra être assuré par Fisher & Paykel ou par son agent de service autorisé durant les heures normales de bureau.

Aucune autre garantie

La présente garantie limitée constitue l'intégralité de l'accord exclusif passé entre l'acheteur et Fisher & Paykel eu égard à toute défaillance du produit. Aucun de nos employés (ou de nos agents de service autorisés) n'a le droit à procéder à un quelconque ajout ou à une quelconque modification de la présente garantie limitée.

Garant : Fisher & Paykel Appliances, Inc.

Si vous avez besoin d'assistance eu égard à la présente garantie limitée, veuillez communiquer avec nous au numéro ou à l'adresse ci-dessous :

Fisher & Paykel Appliances, Inc.
5900 Skylab Road
Huntington Beach, CA 92647
USA

La présente garantie limitée vous confère des garanties juridiques précises et il est également possible que vous bénéficiiez d'autres droits pouvant varier d'un état à un autre.

Copyright © Fisher & Paykel 2006. All rights reserved.

The product specifications in this booklet apply to the specific products and models described at the date of issue. Under our policy of continuous product improvement, these specifications may change at any time. You should therefore check with your Dealer to ensure this booklet correctly describes the product currently available.

Derechos Reservados © Fisher & Paykel 2006.

Las especificaciones del producto en este folleto se refieren a los productos y modelos específicos descritos en el momento de su publicación. De acuerdo con nuestra política de mejora continua de nuestros productos, estas especificaciones pueden cambiar en cualquier momento. Usted deberá por lo tanto confirmar con su vendedor para asegurarse que el presente folleto describa correctamente el producto disponible en este momento.

Droits réservés © Fisher & Paykel 2006.

Les spécifications du produit contenues dans ce manuel s'appliquent aux modèles et produits spécifiques comme décrits à la date de publication. Dans le cadre de notre politique d'améliorations en permanence de nos produits, ces spécifications pourront être modifiées à tout moment. Nous vous recommandons de vérifier auprès de votre revendeur que ce manuel décrit le produit actuellement disponible.

www.usa.fisherpaykel.com

US CA

Gas cooktop user guide

Published: 08/2006

Part No. 599293 C