

Installation and User Manual

The MV-VS2 is a mechanical video and audio switching device used to increase the number of inputs to the Mobile Video System providing greater system flexibility and ease of use. Follow the enclosed diagrams to make proper connections.

Installation

The MV-VS2 has 3-way mounting capability. It can be mounted under the dash or under a ledge, on the floor or on top of a ledge and it can also be panel mounted in a cabinet, console or wall.

Installation Notes:

1. Choose a mounting location that provides easy access by the end user.

2. Choose a solid mounting surface that will withstand the pulling and pushing force when the end user is plugging in and disconnecting devices.
3. If panel mounting, follow the recommendations in point #2. The mounting surface must be able to withstand the pulling and pushing force.

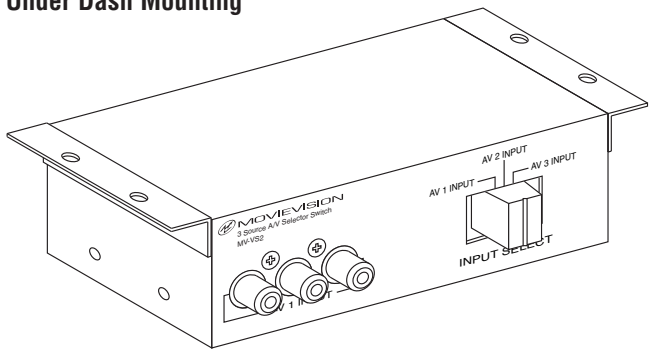
Surface Mounting:

Use the "L" brackets provided to secure the MV-VS2 into place. The brackets can be placed at the top of the MV-VS2 cabinet for under dash or under ledge mounting or at the bottom of the cabinet for floor or surface mounting. DO NOT mount the MV-VS2 on uneven surfaces which will cause the brackets or chassis to bend or flex excessively.

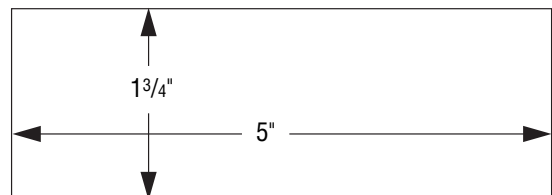
Panel Mounting:

Remove the "L" brackets from the MV-VS2 housing and slip on the panel mount adapter. Use the screws you removed from the "L" brackets to secure the panel mount adapter to the MV-VS2 chassis. You must cut a hole in the mounting surface approximately 5" x 1-3/4" in size.

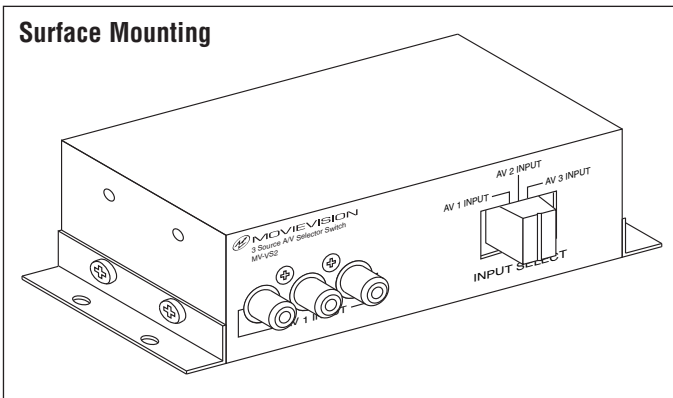
Under Dash Mounting



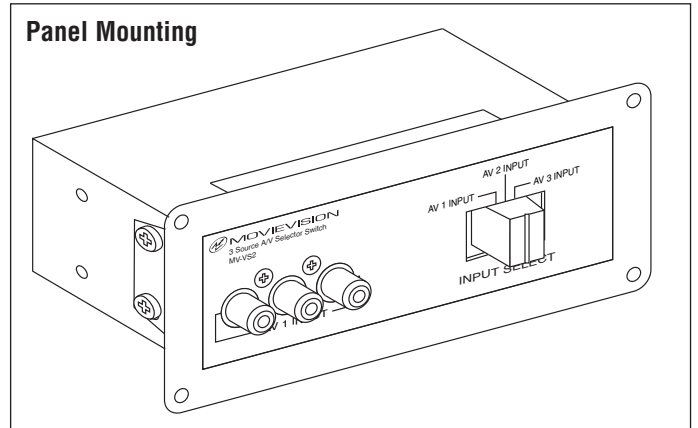
Hole Opening



Surface Mounting

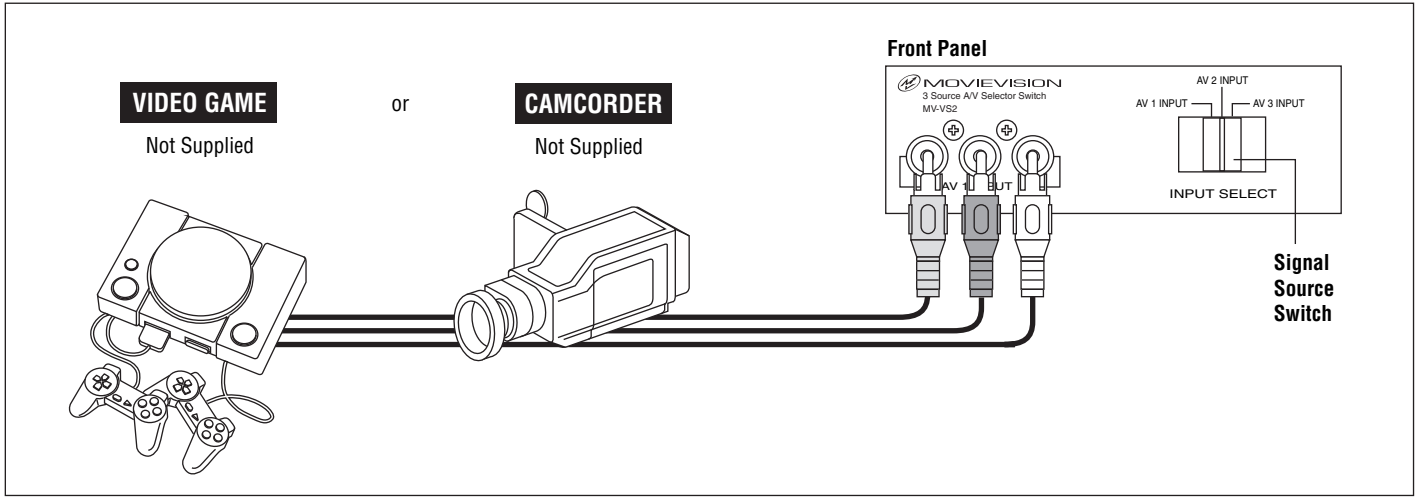


Panel Mounting



Connection and Operation

1. A 6 foot long RCA male patch cord is provided with the MV-VS2 to make the connection from the MV-VS2 output on the rear panel to the Mobile Video System Screen. Some installations may require a longer cable which can be purchased at a local electronics store.
2. Both "Rear Aux Inputs" of the MV-VS2 are typically reserved for permanent items that will not be removed from the vehicle such as a video game controller, VCD or second DVD.
3. The front panel connection is typically for non-permanent items that will be removed from the vehicle such as a video game controller or camcorder.
4. The 3 position switch on the front panel is used to select the signal source to the Mobile Video system.



Industry Standard Color Code:

- Yellow . . . Video Signal
- Red = . . . Right Audio Signal
- White = . . Left Audio Signal

All the connectors on the MV-VS2 are female RCA type with industry standard color code indication. Any device to be connected to the MV-VS2 will require a 3 conductor Male-to-Male RCA jumper cable that will either be supplied with the device or can be purchased at a local electronics store.

