

Miele

Operating and installation instructions



Gas hobs

KM 2010 / 2011 / 2012 / 2013

KM 2030 / 2032 / 2033

KM 2050 / 2051

To avoid the risk of accidents or damage to the appliance it is **essential** to read these instructions before it is installed and used for the first time.

en - GB

M.-Nr. 07 181 150

-
- (GB)** This appliance can be used in countries other than those specified on the appliance. It is, however, set up for connection to the gas and electricity supplies in the countries specified. For use in other countries please contact the Miele spare parts or customer service department in your country.
- (D)** Das Gerät ist auch für den Gebrauch in anderen als auf dem Gerät angegebenen Bestimmungsländer zugelassen. Die landesspezifische Ausführung und die Anschlussart des Gerätes haben wesentlichen Einfluss auf den einwandfreien und sicheren Betrieb. Für den Betrieb in einem anderen als auf dem Gerät angegebenen Bestimmungsland wenden Sie sich bitte an den für das Land zuständigen Kundendienst.
- (E)** El aparato está autorizado para el uso en países diferentes a los países de destino indicados. La ejecución específica para cada país y el tipo de conexión del aparato influyen de forma decisiva en el funcionamiento correcto y seguro. Para el funcionamiento en un país diferente al país de destino indicado en el aparato, consulte al Servicio Post-venta autorizado para el país.
- (F)** Cet appareil est également homologué dans des pays différents de ceux mentionnés sur l'appareil. Pour que l'appareil fonctionne parfaitement et en toute sécurité, il est important de disposer de l'exécution spécifique au pays et du type de raccordement approprié. Pour le fonctionnement dans un pays autre que celui spécifié sur l'appareil, veuillez vous adresser au service après-vente du pays où sera installé l'appareil.
- (I)** L'apparecchio può essere usato anche in paesi diversi da quello indicato sull'apparecchio stesso. Tuttavia, le varianti specifiche di un determinato paese e il tipo di allacciamento alla rete hanno un'importanza fondamentale per il suo sicuro e corretto funzionamento. Per questo se si vuole usare l'apparecchio in un paese diverso rivolgersi al servizio di assistenza tecnica Miele del paese in cui si intende usarlo.
- (NL)** Het apparaat is ook toegelaten voor gebruik in andere landen dan de landen die op het apparaat vermeld staan. De specifieke uitvoering en de aansluitwijze zijn van groot belang voor het goed en veilig functioneren. Neem daarom contact op met de Technische Dienst van de fabrikant in uw land als u het apparaat in een land wilt gebruiken dat niet op het apparaat vermeld staat.

Gas-heated appliances

Safety precautions to take if you smell gas

- Turn off the gas emergency control valve immediately.
This is usually located near the gas meter.
- Eliminate all sources of ignition in a safe manner.
Do not smoke, light cigarette lighters or matches.
- Do not operate electrical lights or switches, i.e. do not switch them "On" or "Off".
- Open all doors and windows to ventilate the area.
- If the smell of gas persists, evacuate the building.

In the UK you must now:

- Call the Gas Emergency Contact Centre (Tel: 0 800 111 999)

For any gas work in the UK always use a Gas Safe registered engineer.



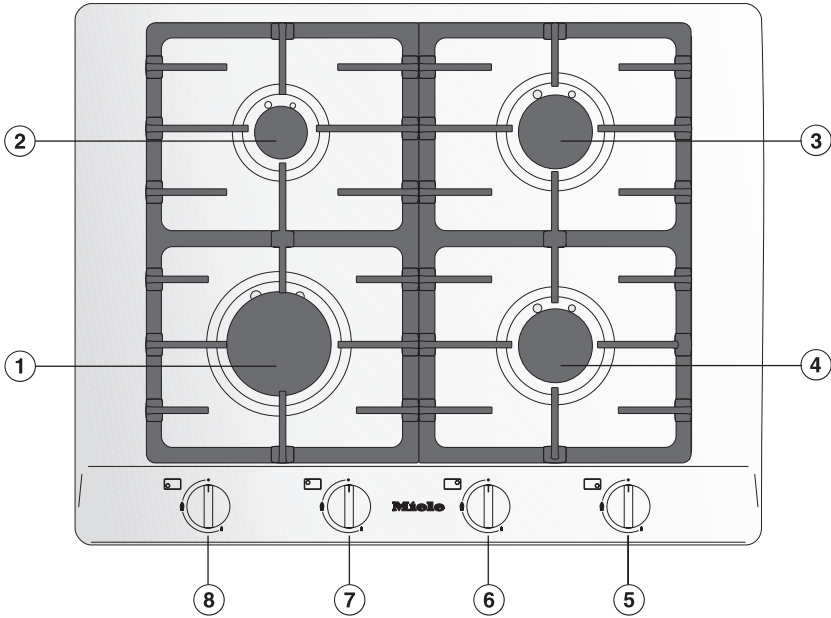
In other countries please follow relevant country specific procedures on gas.

Contents

| | |
|---|----|
| Guide to the appliance | 5 |
| Models | 5 |
| Burners | 10 |
| Warning and Safety instructions | 11 |
| Caring for the environment | 18 |
| Before using for the first time | 19 |
| Operation | 20 |
| Switching on | 20 |
| Regulating the flame | 21 |
| Switching off | 21 |
| Suitable pans | 22 |
| Safety cut-out | 24 |
| Cleaning and care | 25 |
| Problem solving guide | 29 |
| Optional accessories | 31 |
| Safety instructions for installation | 32 |
| Appliance and building-in dimensions | 35 |
| Installation | 39 |
| Electrical connection | 41 |
| Gas connection | 43 |
| Burner ratings | 45 |
| Conversion to another type of gas | 47 |
| Jet table | 47 |
| Changing the jets | 48 |
| To change the main jets | 48 |
| To change the small jets | 49 |
| After changing the jets | 50 |
| After sales service, data plate | 51 |

Models

KM 2010 / KM 2011



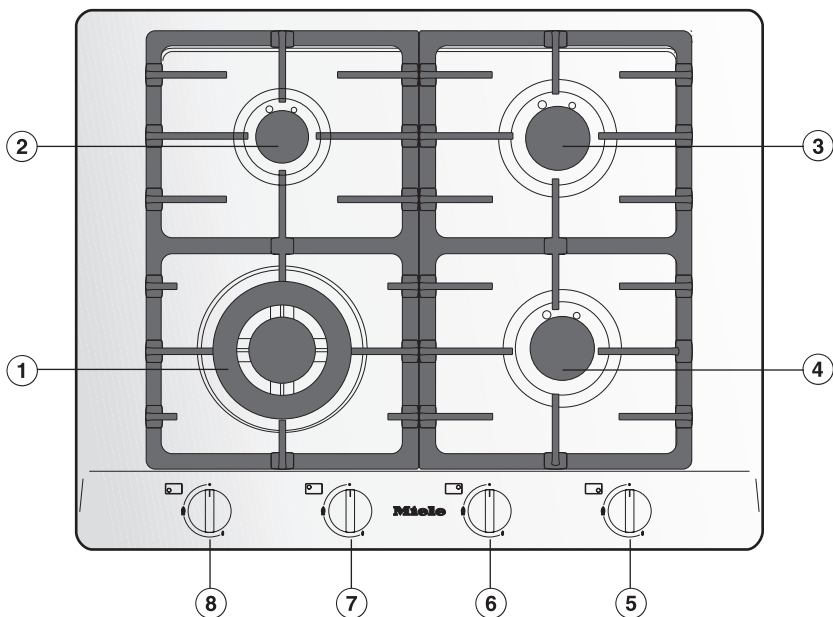
- ① Large burner
- ② Small burner
- ③④ Medium burners

Controls:

- ⑤ Front right
- ⑥ Rear right
- ⑦ Rear left
- ⑧ Front left

Guide to the appliance

KM 2012 / KM 2013

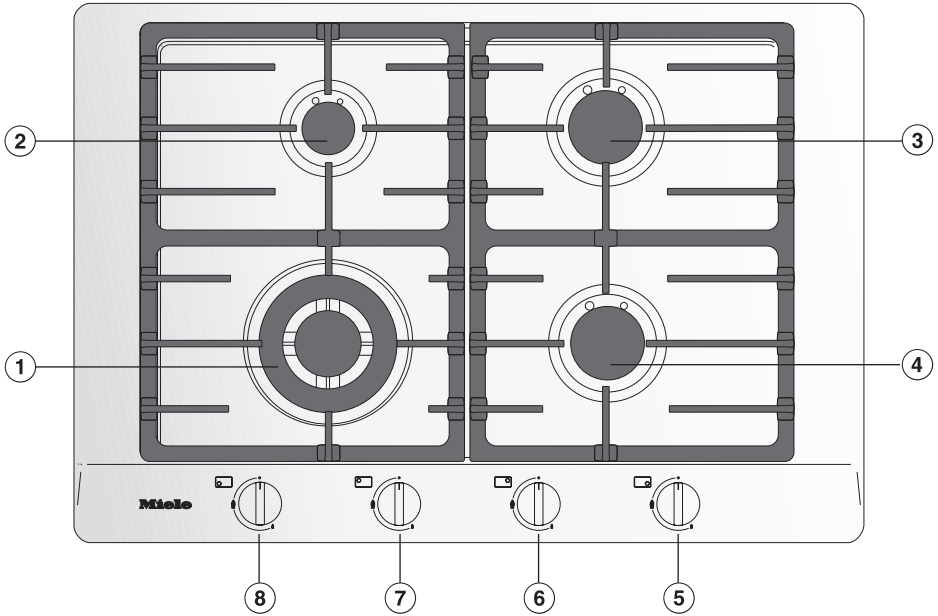


- ① Wok burner
- ② Small burner
- ③④ Medium burners

Controls:

- ⑤ Front right
- ⑥ Rear right
- ⑦ Rear left
- ⑧ Front left

KM 2030



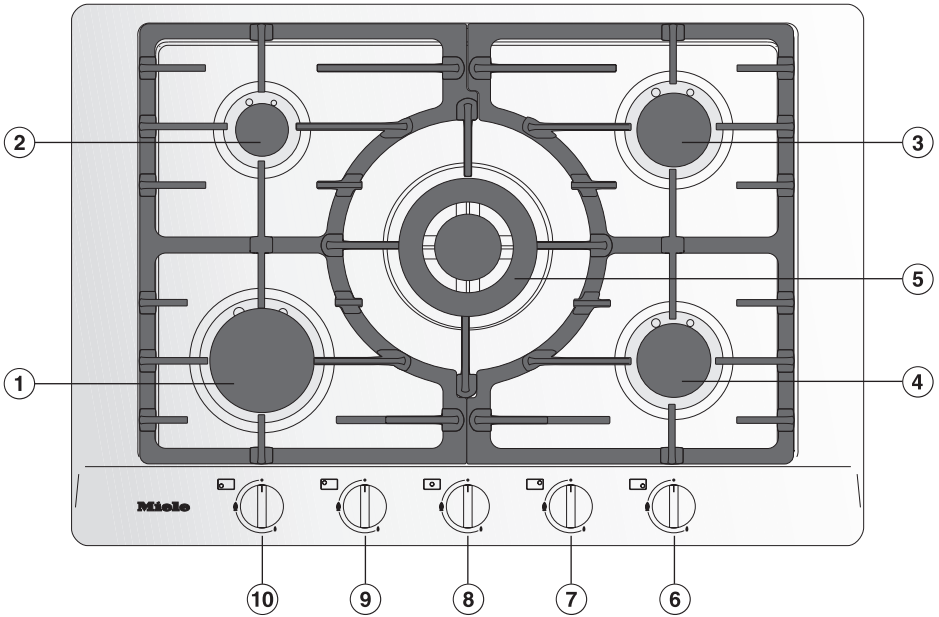
- ① Wok burner
- ② Small burner
- ③④ Medium burners

Controls:

- ⑤ Front right
- ⑥ Rear right
- ⑦ Rear left
- ⑧ Front left

Guide to the appliance

KM 2032 / KM 2033

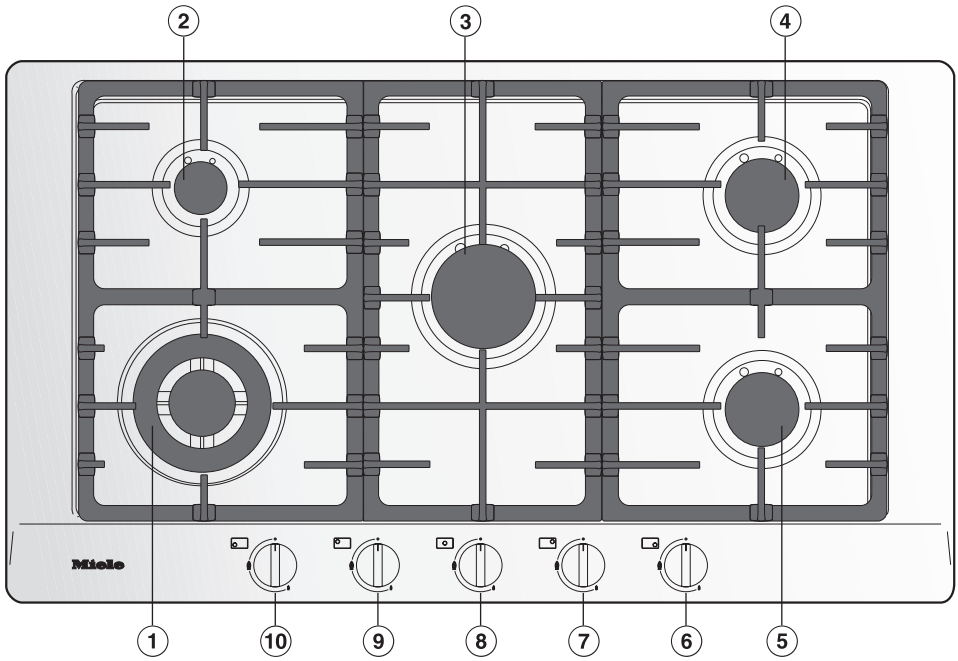


- ① Large burner
- ② Small burner
- ③④ Medium burners
- ⑤ Wok burner

Controls:

- ⑥ Front right
- ⑦ Rear right
- ⑧ Middle
- ⑨ Rear left
- ⑩ Front left

KM 2050 / KM 2051



- ① Wok burner
- ② Small burner
- ③ Large burner
- ④ ⑤ Medium burners

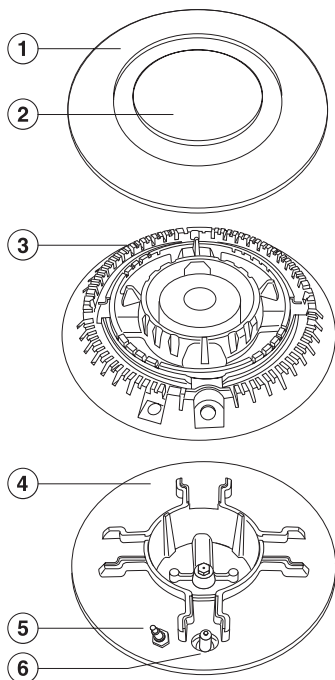
Controls:

- ⑥ Front right
- ⑦ Rear right
- ⑧ Middle
- ⑨ Rear left
- ⑩ Front left

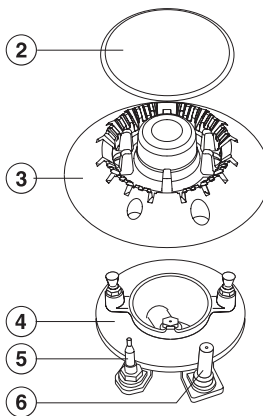
Guide to the appliance

Burners

Wok burner



Small, medium and large burners



- ① Burner ring
- ② Burner cap
- ③ Burner head
- ④ Burner base
- ⑤ Ignition safety device
- ⑥ Ignitor

Warning and Safety instructions

This appliance complies with all relevant local and national safety requirements. Improper use of the appliance can, however, present a risk of both personal injury and material damage.

To avoid the risk of accidents and damage to the appliance, please read these instructions carefully before installation and using it for the first time. They contain important notes on installation, safety, operation and care.

Keep these instructions in a safe place and ensure that new users are familiar with the content. Pass them on to any future owner.

Correct application

► This gas hob is not designed for commercial use. It is intended for use in domestic households and in similar working and residential environments such as:

- Shops
- Offices and showrooms

and by residents in establishments such as:

- Hostels and guest houses.

► It is intended for domestic use only to cook food and keep it warm. Any other usage is not supported by the manufacturer and could be dangerous. Miele cannot be held liable for damage resulting from incorrect or improper use or operation.

► The gas hob is not intended for outdoor use.

► This appliance is not intended for use by people with reduced physical, sensory or mental capabilities, or lack of experience and knowledge, unless they are supervised whilst using it, or have been shown how to use it by a person responsible for their safety.

Warning and Safety instructions

Safety with children

► This appliance is only intended for use by adults who have read these instructions. This appliance is not a toy! To avoid the risk of injury, keep children well away and do not let them play with it or use the controls. They will not understand the potential dangers posed by it. They should be supervised whenever you are working in the kitchen.

► Older children may use the appliance only when its operation has been clearly explained to them and they are able to use it safely, recognising the dangers of misuse.

► The appliance gets hot when in use and remains hot for quite a while after it has been switched off. To safeguard against burning, keep children well away from the appliance at all times.

► Do not store anything which might arouse a child's interest in storage areas above or next to the hob. Otherwise they could be tempted into climbing onto the appliance with the risk of burning themselves.

► Keep all pans out of reach of children. Turn pan handles inwards away from the edge of the hob. Danger of burning or scalding. Special hob guards are available from good retail outlets.

► Packaging, e.g. cling film, polystyrene and plastic wrappings, must be kept out of the reach of babies and young children. Danger of suffocation. Dispose of or recycle all packaging safely as soon as possible.

Warning and Safety instructions

Technical safety

▶ Before installation, check the appliance for visible signs of damage. Do not install and use a damaged appliance. It could be dangerous.

▶ The electrical safety of this appliance can only be guaranteed if correctly earthed. It is most important that this basic safety requirement is observed and tested regularly, and where there is any doubt, the household wiring system should be inspected by a qualified electrician. Miele cannot be held liable for the consequences of an inadequate earthing system (e.g. electric shock).

▶ Before connecting the appliance to the mains electricity supply, make sure that the data quoted on the data plate match the household mains supply, otherwise the appliance could be damaged. Consult a qualified electrician if in any doubt.

▶ Connection to the gas supply must be carried out by a suitably qualified and competent person in strict accordance with current local and national safety regulations, e.g. a **Gas Safe** registered technician in the U.K.



If the appliance is supplied without a plug, or if the plug is removed, it must be connected to the mains electricity supply by a suitably qualified and competent electrician in strict accordance with current local and national safety regulations. The manufacturer cannot be held liable for damage caused by incorrect installation or connection.

▶ For safety reasons, this appliance may only be used when it has been built in.

▶ Never open the outer casing of the appliance. Tampering with electrical connections or components and mechanical parts is highly dangerous to the user and can cause operational faults.

▶ Installation, maintenance and repairs may only be carried out by a suitably qualified and competent person in strict accordance with current national and local safety regulations. Repairs and other work by unqualified persons could be dangerous. Miele cannot be held liable for unauthorised work.

Warning and Safety instructions

- ▶ During installation, maintenance and repair work, the appliance must be disconnected from the gas supply and mains electricity supply.
- ▶ While the appliance is under guarantee, repairs should only be undertaken by a service technician authorised by Miele. Otherwise the guarantee is invalidated.
- ▶ Faulty components must only be replaced by genuine Miele original spare parts. The manufacturer can only guarantee the safety of the appliance when Miele replacement parts are used.
- ▶ If the connection cable is damaged, it must be replaced by a suitably qualified electrician with a special connection cable of type H 05 V V-F (pvc insulated), available from the Miele Spare Parts Department.
- ▶ Do not connect the appliance to the mains electricity supply by a multi-socket adapter or an extension lead. These do not guarantee the required safety of the appliance (e.g. danger of overheating).
- ▶ Do not use the hob if it is faulty. Switch it off immediately and disconnect it from the mains electricity supply and the gas supply. Call the Service Department.
- ▶ In areas which may be subject to infestation by cockroaches or other vermin, pay particular attention to keeping the appliance and its surroundings in a clean condition at all times. Any damage which may be caused by cockroaches or other vermin will not be covered by the guarantee.

Warning and Safety instructions

Correct use

- ▶ The appliance gets hot when in use and remains hot for quite a while after it has been switched off. Do not touch it whilst it could still be hot.
- ▶ If a cooker hood is installed above the gas hob, ensure that the burners are always covered with a pan when in use. Otherwise flames could reach the cooker hood, parts of which could then be damaged or set on fire.
- ▶ Do not leave the appliance unattended whilst it is being used. Oil and fat are potential fire hazards as they can ignite if overheated.
- ▶ If oil or fat does catch fire, do not attempt to put out the flames with water. Use a suitable fire blanket, saucepan lid, damp towel or similar to smother the flames.
- ▶ Do not use the appliance to heat up the room. Due to the high temperatures radiated, objects near the appliance could catch fire. The life of the appliance could also be reduced.
- ▶ Always use heat-resistant pot holders or gloves when working with a hot appliance. Ensure that they do not come into contact with the flames. Do not use large cloths, tea towels or similar as the ends could touch the flames and catch fire. Take care not to let the gloves get damp or wet, as this causes heat to transfer through the material more quickly with the risk of scalding or burning yourself.
- ▶ Do not flambé under a cooker hood. The flames could set the cooker hood on fire.
- ▶ Do not use the appliance as a resting place for anything else. The article could melt or catch fire if residual heat is still present or if the appliance is switched on by mistake.
- ▶ Do not cover the appliance, e.g. with a cloth, kitchen foil, etc. This could be a fire hazard if residual heat is still present or the appliance is switched on by mistake.
- ▶ Do not use plastic or aluminium foil containers. These melt at high temperatures and could catch fire.

Warning and Safety instructions

- ▶ Do not heat up unopened tins of food on the hob as pressure will build up in the tin, causing it to explode. This could result in injury and scalding or damage.
- ▶ Make sure all the components of the gas burners have been correctly assembled before switching on.
- ▶ Pans must be the correct size for the burner they are used on (see "Suitable pans"). A pan which is too small will be unstable on the pan support. If the pan diameter is too large, flames can spread out to the sides and damage or burn the worktop, wall claddings or surrounding units and also parts of the hob. Miele cannot be held liable for this type of damage.
- ▶ Ensure that the flames from the burner do not spread out beyond the base and up the sides of the pan.
- ▶ Unless the pan manufacturer states that you can do so, do not use pans with very thin bases on this hob, and never heat up empty pans as they could get damaged. This could also damage the appliance.
- ▶ The pan support supplied must always be used. Pans must not be placed directly on the burner.
- ▶ Do not store any inflammable objects near the gas hob.
- ▶ Remove splashes of fat and other food debris from the surface as soon as possible. These are a fire hazard.
- ▶ Replace the pan supports carefully to avoid scratching the surface of the hob.
- ▶ Using the gas hob will cause a build-up of heat and moisture in the room in which it is installed. Ensure that the room has sufficient natural or mechanical means of ventilation, e.g. an extractor.
- ▶ If the hob is used for very long periods of time additional ventilation of the room may be necessary, e.g. by opening windows or doors, or running the extractor on the highest setting.
- ▶ When using an electrical appliance, e.g. a hand-held food blender, near the gas hob, ensure that the cable of the electrical appliance does not come into contact with the hot appliance. The insulation on the cable could become damaged, giving rise to an electric shock hazard.

Warning and Safety instructions

▶ Spray canisters, aerosols and other inflammable substances must not be stored in a drawer under the hob. Cutlery inserts must be heat-resistant.

▶ Always ensure that food is sufficiently cooked or reheated. Some foods may contain micro-organisms which are only destroyed by thorough cooking at a sufficiently high temperature for long enough. Therefore, when cooking or reheating food such as poultry, it is particularly important that the food is completely cooked through. If in doubt, select a longer cooking or reheating time.

▶ Do not use pans that are large enough to cover more than one burner. The resulting build-up of heat could damage the appliance.

▶ Avoid allowing liquids or foods containing salt to spill onto the hob. If salty foods or liquids do get on the hob, they should be removed as soon as possible to avoid the risk of corrosion.

▶ If the appliance is installed behind a kitchen furniture door, it may only be used with the furniture door open. Only close the door if the appliance is switched off.

▶ If the appliance has not been used for a long period of time it should be thoroughly cleaned before it is used again. It is also advisable to have the appliance tested for safety.

Miele cannot be held liable for damage caused by non-compliance with these Warning and Safety instructions.

Caring for the environment

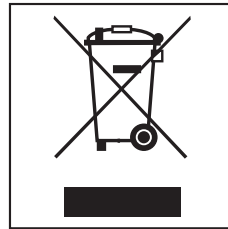
Disposal of the packing material

The transport and protective packing has been selected from materials which are environmentally friendly for disposal, and should be recycled.

Ensure that any plastic wrappings, bags, etc. are disposed of safely and kept out of the reach of babies and young children. Danger of suffocation.

Disposal of your old appliance

Electrical and electronic appliances often contain materials which, if handled or disposed of incorrectly, could be potentially hazardous to human health and to the environment. They are, however, essential for the correct functioning of your appliance. Please do not therefore dispose of it with your household waste.



Please dispose of it at your local community waste collection/recycling centre or contact your dealer for advice. Ensure that it presents no danger to children while being stored for disposal.

It should be disconnected from the mains electricity and gas supplies by a competent person.

Before using for the first time

Please stick the extra data plate for the appliance supplied with this documentation in the space provided in the "After sales service" section of this booklet.

Cleaning for the first time

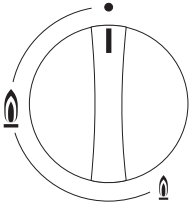
- Remove any protective foil and adhesive labels.
- Clean all removable parts of the burners with a solution of warm water and a little washing-up liquid applied with a soft sponge. Dry all parts thoroughly after cleaning and then reassemble the burners (see "Cleaning and care").
- Clean the stainless steel trough with a damp cloth, and then wipe dry.

The metal components have a protective coating which may give off a slight smell when heated up for the first time.

The smell and any vapours will dissipate after a short time, and do not indicate a faulty connection or appliance.

Operation

The control is used to ignite the burner and to regulate the strength of the flame.



- The gas supply is turned off
- 🔥 Strong flame
- 🔥 Weak flame

The burners can only be switched on by pressing in the appropriate control and turning it anti-clockwise, and switched off by turning the control clockwise.

The following will cause damage to the appliance:

- Switching the burner on without pressing the control down,
- Switching the burner on by turning the control clockwise,
- Switching the burner off by turning the control anti-clockwise.

The manufacturer will not accept liability for any damage resulting from incorrect operation.

Switching on

- The control for the burner required must be pressed in and turned anti-clockwise to the large flame symbol to switch on.

Pressing a burner control will automatically create a spark on all burners. This is normal and no cause for concern.

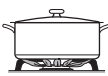
- When the flame ignites, keep the control pressed in for 8-10 seconds, and then let it go.
- If the flame goes out, turn the control back to "●". Wait for at least 1 minute before attempting to re-ignite it, and press and hold in the control for longer if required.
- If the burner refuses to ignite the second time, turn the control back to "●" and see section "Problem solving guide".

In the event of a power cut

If there is an interruption to the electricity supply the gas can be ignited with a match.

- Press in the relevant control and turn it anti-clockwise to the large flame symbol.
- Hold the control pressed in and light the burner with a match.
- Keep the control pressed in for a further 8-10 seconds and then release it.

Regulating the flame



The burners can be regulated at any level between the strongest and weakest flame.

Control the flame so that it does not spread out beyond the sides of the pan. As the outer part of the flame is much hotter than the centre, the tips of the flames should stay beneath the pan base. Flame tips which extend beyond the sides of the pan merely warm up the air in the room and can also damage pan handles and increase the danger of injury.

Switching off

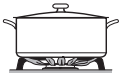
- Turn the control clockwise to position "●".

This stops the flow of gas and the flame goes out.

Suitable pans

| Burner | Min. pan base diameter in cm |
|-----------------------------------|------------------------------|
| Small burner | 10 |
| Medium burner | 12 |
| Large burner | 14 |
| Wok burner | 14 |
| Max. diameter at top of pan in cm | |
| Small burner | 22 |
| Medium burner | 22 |
| Large burner | 24 |
| Wok burner | 24 |

- Refer to the chart above and ensure that the pan diameter falls within the minimum and maximum diameters given for the burner you are using. A pan which is too small will be unstable on the pan support. If the pan base diameter is too large, flames can spread out to the sides and damage or burn the worktop, wall claddings or surrounding units and also parts of the hob. The manufacturer cannot be held liable for this type of damage.



- Wide, shallow pans are preferable to tall, narrow ones. They will heat up faster.
- Select pans which are suitable for the burner they are to be used on. In general: use larger diameter pans on the large burners, and smaller diameter pans on the small burners.
- Pans with thick bases are preferable as these distribute heat more evenly. With thin bases, there is a danger of food overheating in places. Stir the food frequently.
- Any heat-resistant pans can be used on a gas burner.

- Remember when purchasing new pans that manufacturers usually refer to the diameter at the top of the pan in their documentation.
- Use a pan lid whenever possible to minimise heat loss.

When placing pans on the pan support(s) make sure you position them so that they cannot tip up. Please note that it is not possible to prevent pans from wobbling very slightly.

Always place pans on the pan support(s) supplied. Pans must not be placed directly on the burner.

Wok

Woks are a special type of pan. They have a small base diameter and large top diameter, generally between 35 - 40 cm. When using the wok burner, make sure that the base of the wok pan does not come into contact with the burner. There must be a distance of at least 1 cm between the base of the wok and the burner.


Safety cut-out

This appliance is fitted with a thermoelectric ignition safety device which cuts off the supply of gas to a burner if the flame goes out, for example if food has boiled over, or if there was a sudden draught.

- To use the burner again, turn the control clockwise to the "●" position, and then switch it back on as normal.

The safety cut-out operates independently from the electricity supply. This means that it will still work if the hob is used during a power cut (see "Use during a power cut").

For Miele branded and cleaning and conditioning products see “Optional accessories”.

 Do not use a steam cleaning appliance to clean this appliance. The steam could reach electrical components and cause a short circuit.

- The appliance should be cleaned after each use. Allow the appliance to cool down to a safe temperature before cleaning.
- To avoid water marks and limescale deposits, use a soft cloth to dry surfaces that have been cleaned with water.
- Stubborn soiling should be soaked first.
- Food which boils over onto the hot hob can cause the burner components and the stainless steel surface of the hob to discolour. **Remove any soiling immediately.**
- The surfaces of the burner components will become more matt with time. This is quite normal and will not affect the operation of the hob.

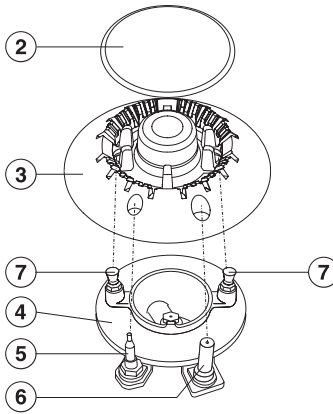
To avoid damaging the surface of your appliance, do not use:

- cleaning agents containing soda, alkalines, ammonia, acids or chlorides,
- cleaning agents containing descaling agents,
- stain or rust removers,
- abrasive cleaning agents, e.g. powder cleaners and cream cleaners,
- solvent-based cleaning agents,
- dishwasher cleaner,
- grill and oven cleaners,
- glass cleaning agents,
- hard, abrasive brushes or sponges, e.g. pot scourers, or sponges which have been previously used with abrasive cleaning agents,
- sharp pointed objects
(these can damage the seal between the frame and the worktop)

Cleaning and care

| | Cleaning | Intructions |
|---|--|---|
| Stainless steel surfaces | <p>Clean stainless steel surfaces using an E-Cloth (see "Optional accessories") or with a solution of warm water and a little washing-up liquid applied with a soft sponge.</p> <p>If necessary, you could use Miele ceramic and stainless steel hob cleaner (see "Optional accessories") and the scouring pad on the reverse of a washing-up sponge. Apply with an even pressure following the direction of the "grain".</p> <p>Miele conditioning agent for stainless steel can be used after cleaning to help prevent re-soiling (see "Optional accessories"). Follow the manufacturer's instructions on the packaging.</p> | <p>Printed surfaces (Flame symbols)</p> <p>Remove any soiling which comes into contact with the printed flame symbols straight away. Soiling, particularly salty food or liquid and olive oil, can cause damage if left on the printed surfaces for a long time.</p> <p>Do not use stainless steel cleaning agents on the printed flame symbols. This would rub off the print.</p> |
| Pan supports | <p>Remove the pan supports. Clean the pan supports using an E-Cloth (see "Optional accessories") or with a solution of warm water and a little washing-up liquid applied with a soft sponge.</p> <p>If necessary, you could use the scouring pad on the reverse of a washing-up sponge.</p> | <p>Stubborn soiling should be soaked first.</p> <p>The pan supports are not dishwasher proof.</p> |
| Controls | <p>Clean the controls with a solution of warm water and a little washing-up liquid applied with a soft sponge.</p> | <p>The controls are not dishwasher proof.</p> |
| Burner caps | <p>Clean the burner caps using an E-Cloth (see "Optional accessories") or with a solution of warm water and a little washing-up liquid applied with a soft sponge.</p> <p>If necessary, you could use the scouring pad on the reverse of a washing-up sponge.</p> | <p>The burner caps are not dishwasher proof.</p> |
| Burner heads PerfectClean | <p>Clean the burner heads using an E-Cloth (see "Optional accessories") or with a solution of warm water and a little washing-up liquid applied with a soft sponge.</p> <p>If necessary, you could use the scouring pad on the reverse of a washing-up sponge.</p> | <p>The burner heads have a special PerfectClean surface with excellent anti-stick properties which makes them easy to clean.</p> <p>The burner heads are not dishwasher proof.</p> <p>Make sure that the flame slits are completely dry after cleaning.</p> |
| Ignitors Ignition safety devices | <p>The ignitors and ignition safety devices should be very carefully wiped clean using a well wrung out cloth.</p> | <p>Do not let the ignitors get wet. If they get wet they will not spark.</p> |

To assemble the small, medium and large burners

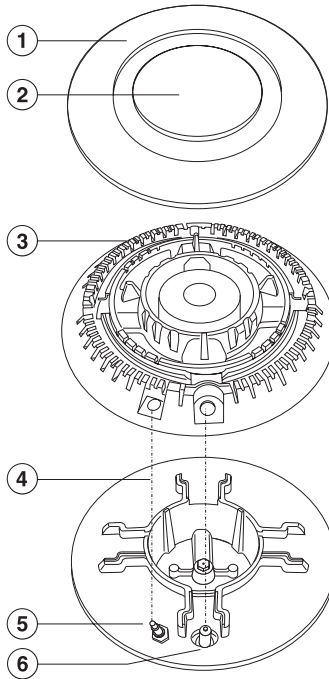


- Place the burner head (3) onto the burner base (4) so that the ignition safety device (5), the ignitor (6) and the retaining pins (7) fit into their respective holes in the burner head.
- Position the burner cap (2) onto the burner head (3) so that the retaining pins fit into their respective recesses. Gently twist the burner cap clockwise or anticlockwise until it locks into position.
When correctly positioned it will not slide about.

Important: replace parts in the correct order after cleaning.


Cleaning and care

To assemble the wok burner



- Place burner head ③ onto burner base ④ so that the the ignition safety device ⑤ and the ignitor ⑥ extend through their respective holes in the burner head.
- Replace the burner ring ①.
- Replace the burner cap ②.

Important: replace parts in the correct order after cleaning.

 Repairs to the gas and electrical components of this appliance must only be carried out by a suitably qualified and competent person to ensure safety (Gas Safe registered in the UK). Repairs and other work by unqualified persons could be dangerous. The manufacturer cannot be held liable for unauthorised work.

What to do if ...

... the burner does not ignite after several attempts.

Check whether

- the burner is assembled correctly.
- the gas supply tap is turned on.
- the burner is dry and clean.
- the flame slits are dry and unblocked.
- the mains fuse has tripped. If it has, contact a qualified electrician or the Miele Service Department. The gas can be lit with a match. (See "Use during a power cut").

... the gas flame goes out after being lit.

The flames need to touch the ignition safety device so that it heats up sufficiently.

If the flames do not touch the ignition safety device, check that

- the burner components are assembled correctly.
- there is no soiling on the ignition safety device. If there is, remove it carefully (see "Cleaning and care").

Problem solving guide

... the ignitor on the burner does not spark.

- check whether the mains fuse has tripped. If it has, contact a qualified electrician or the Miele Service Department.
- Check whether food deposits have lodged themselves between the ignitor and the burner cap.
Remove any food deposits carefully (see "Cleaning and care").
- food has adhered to the thermal element.
Remove any food deposits carefully (see "Cleaning and care").

... the gas flame suddenly looks different.

Check whether the burner is assembled correctly.

Optional accessories

Miele offer a comprehensive range of useful accessories as well as cleaning and conditioning products for your appliance.

These products can be ordered online at:



or from Miele (see back cover for contact details)

Cleaning products

Ceramic and stainless steel hob cleaner

250 ml



Removes heavy soiling, limescale deposits and light discolouration

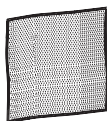
Stainless steel conditioning agent

250 ml



Removes water marks, flecks and finger prints.
Helps prevent re-soiling.

E-cloth (microfibre cloth)



Removes finger marks and light soiling.

Safety instructions for installation

Fit the wall units and extractor hood before fitting the hob to avoid damaging the surface.

▶ The room in which the gas hob is installed must be at least 20 m³ in size with a door or window in it which can be opened to the outside air.

▶ The veneer or laminate coatings of worktops (or adjacent kitchen units) must be treated with 100 °C heat-resistant adhesive which will not dissolve or distort. Any backmoulds must be of heat-resistant material.

▶ This appliance must not be used in a non-stationary location (e.g. on a ship).

▶ An electric fryer must not be installed directly next to a gas hob, as the gas flames could ignite the fat in the fryer. It is essential to maintain a distance of at least 300 mm between these two appliances.

▶ A gas hob may not be built in over a fridge, fridge freezer, freezer, dishwasher, washing machine or tumble dryer.

▶ Ensure that the gas pipe and electrical cable are installed in such a way that they do not touch any parts of the appliance which become hot. This could cause damage.

▶ The electrical cable (and a flexible gas connection pipe in countries where applicable) must be installed in such a way so that they do not come into contact with any moving kitchen parts (e.g. a drawer), and cannot become trapped.

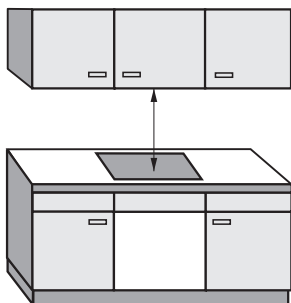
▶ Observe carefully the safety distances given on the following pages.

▶ Do not use any sealant except where expressly instructed to do so. The seal underneath the appliance provides a sufficient seal for the worktop (See "General installation tips").

All dimensions in this instruction booklet are given in mm.

Safety instructions for installation

Safety distance above the hob



When two or more appliances are installed together below a cooker hood, e.g. a gas hob and an induction hob combiset, which have different safety distances given in the installation instructions, you should select the greater distance of the two.

A minimum safety distance must be maintained between the hob and the cooker hood above it. See the cooker hood manufacturer's operating and installation instructions for details.

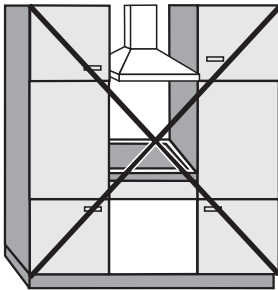
If the manufacturer's instructions are not available for the cooker hood, a minimum safety distance of at least 760 mm must be maintained. For any flammable objects, e.g. utensil rails, wall units etc. a minimum distance of at least 760 mm must be maintained between them and the hob below.

Safety instructions for installation

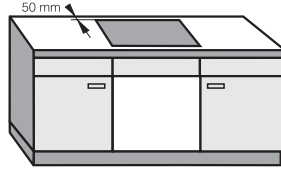
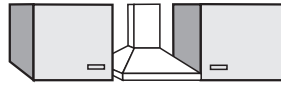
Ideally the hob should be installed with plenty of space on either side. There may be a wall at the rear and a tall unit or wall at one side. On the other side, however, no unit or divider should stand higher than the hob (see illustrations).

The following minimum distances should be adhered to for safety reasons:

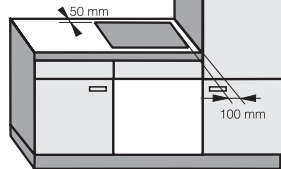
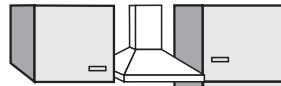
- 100 mm to the right or left of the worktop cut-out to the nearest piece of furniture (e.g. tall unit).
- 50 mm from the worktop cut-out to the rear wall.



Not allowed



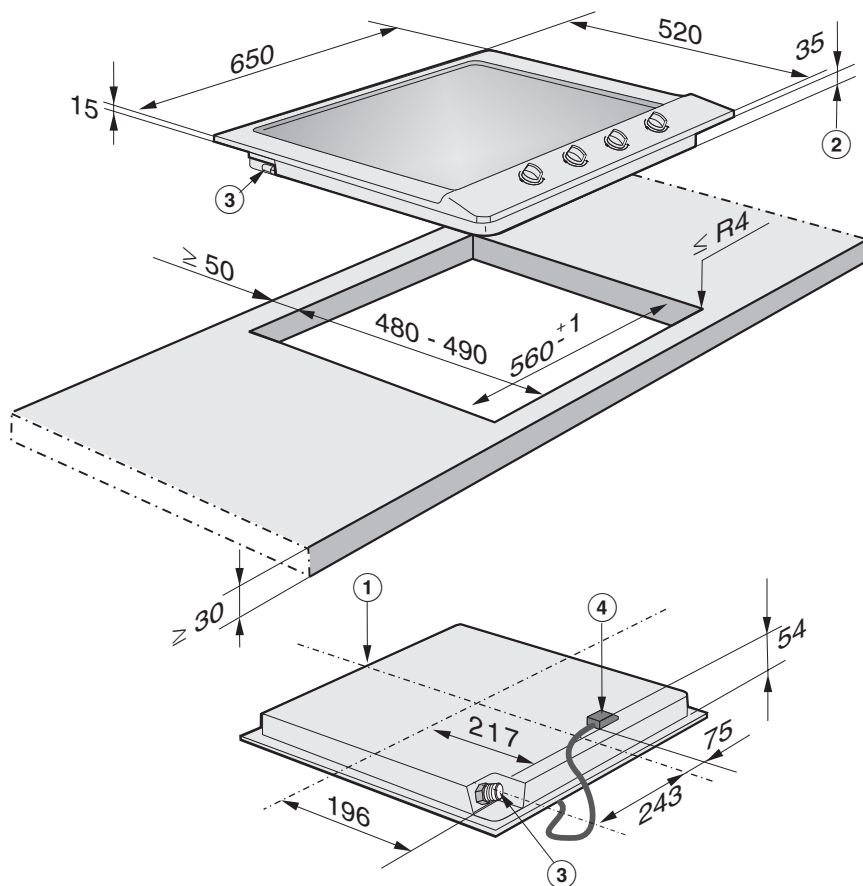
Recommended



Not recommended

Appliance and building-in dimensions

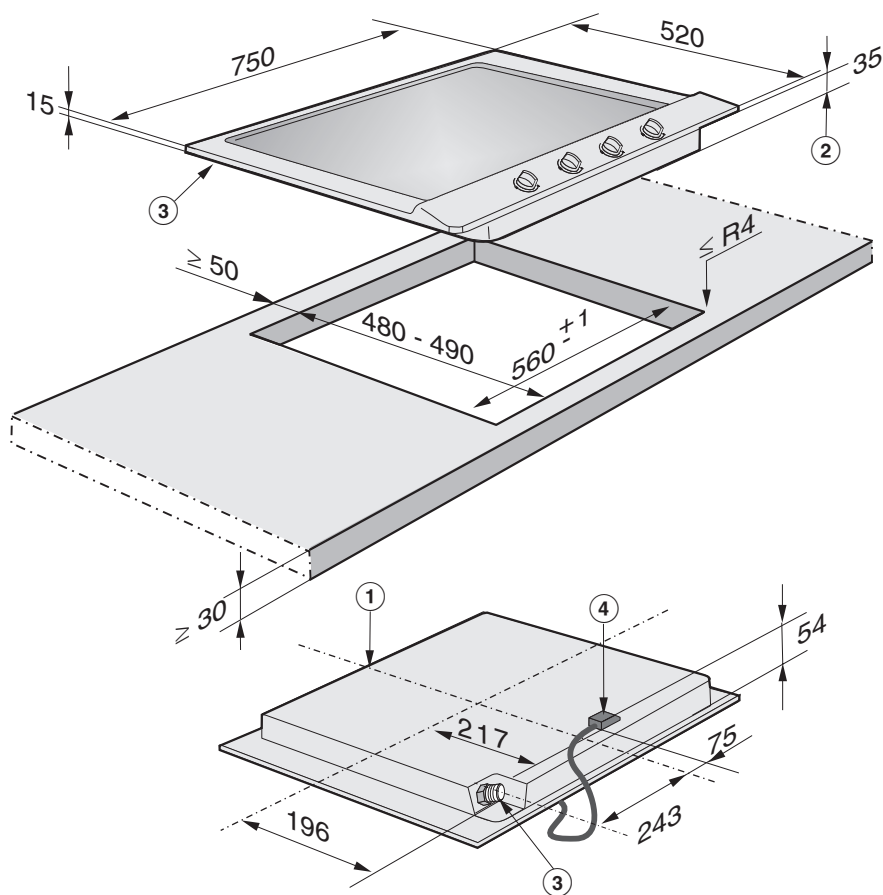
KM 2010 / KM 2011 / KM 2012 / KM 2013



- ① Front
- ② Casing depth
- ③ Gas connection R 1/2" ISO 7-1 (DIN EN 10226)
- ④ Mains connection box with mains connection cable, L = 2000 mm

Appliance and building-in dimensions

KM 2030



① Front

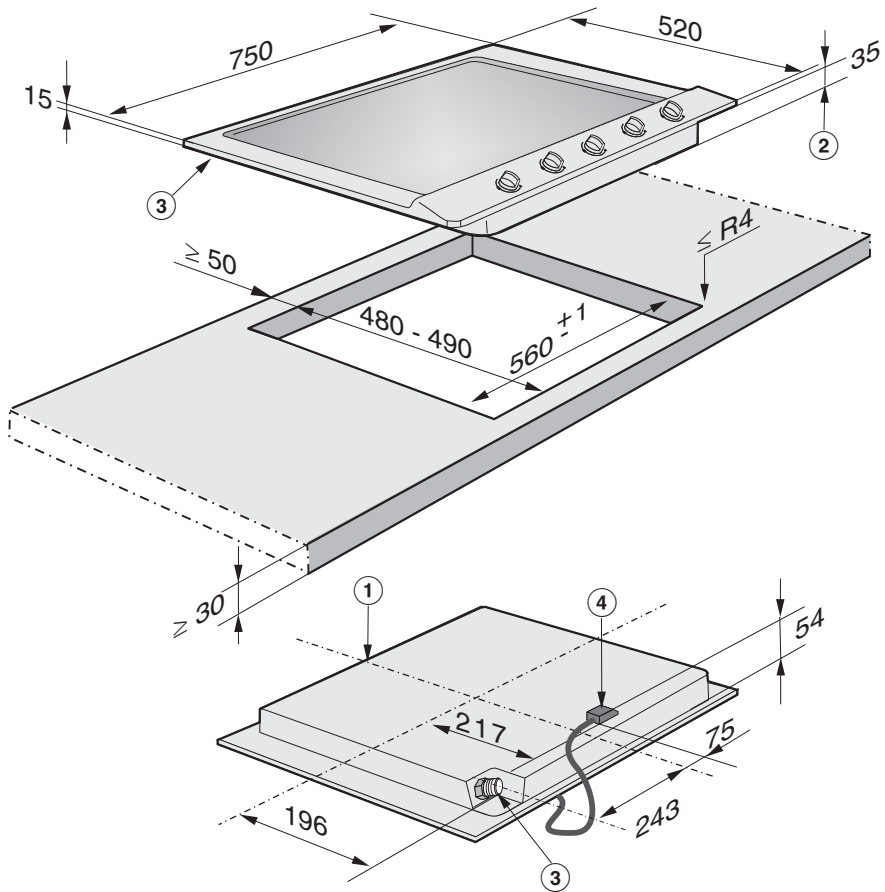
② Casing depth

③ Gas connection R 1/2" ISO 7-1 (DIN EN 10226)

④ Mains connection box with mains connection cable, L = 2000 mm

Appliance and building-in dimensions

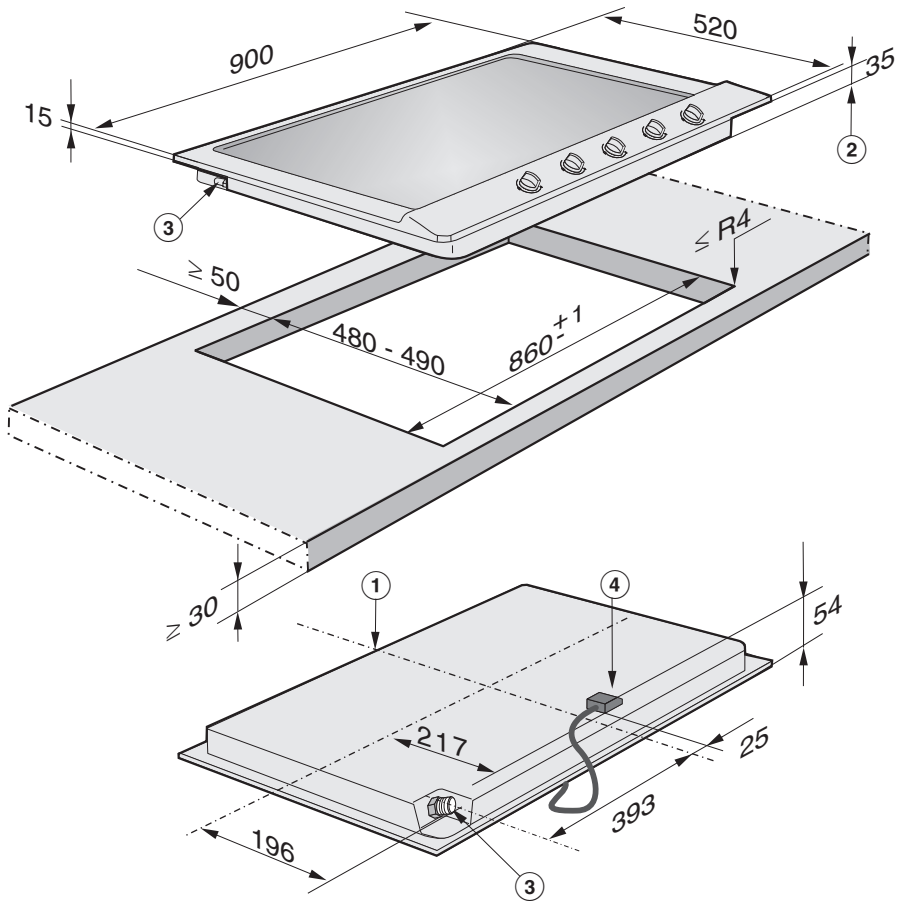
KM 2032 / KM 2033



- ① Front
- ② Casing depth
- ③ Gas connection R 1/2" ISO 7-1 (DIN EN 10226)
- ④ Mains connection box with mains connection cable, L = 2000 mm

Appliance and building-in dimensions

KM 2050 / KM 2051



① Front

② Casing depth

③ Gas connection R 1/2" ISO 7-1 (DIN EN 10226)

④ Mains connection box with mains connection cable, L = 2000 mm

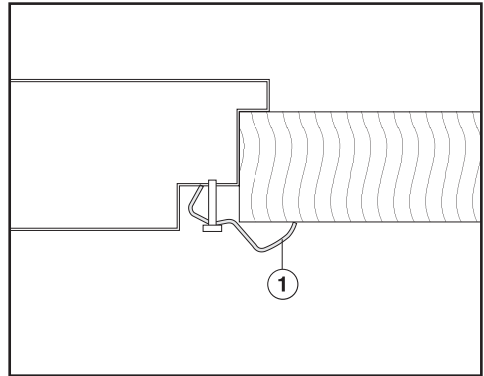
Preparing the worktop

- Make the worktop cut-out following the dimensions applicable. Remember to maintain a **minimum safety distance** from the **back wall**, as well as from any **tall unit or side wall** to the right or left of the hob. See "Safety instructions for installation".
- Seal the cut surfaces with a suitable heat-resistant sealant to avoid swelling caused by moisture.

If, during installation, you find that the seals on the corners of the frame are not flush with the worktop surface, the corner radius ($\leq R4$) can be carefully scribed to fit.

Installing the hob

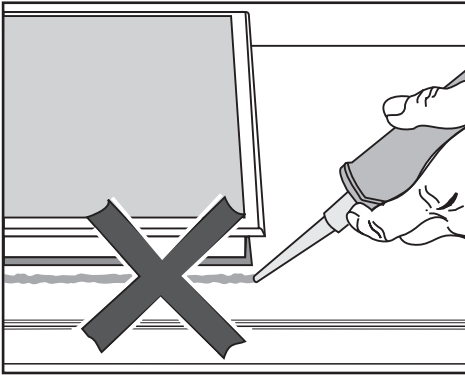
- Feed the connection cable down through the cut-out.
- Place the hob in the cut-out without securing it.
- Connect the hob to the mains (see "Electrical connection").
- Connect the appliance to the gas supply (see "Gas connection").



- Secure the appliance using the brackets ① supplied.

Installation

General installation tip

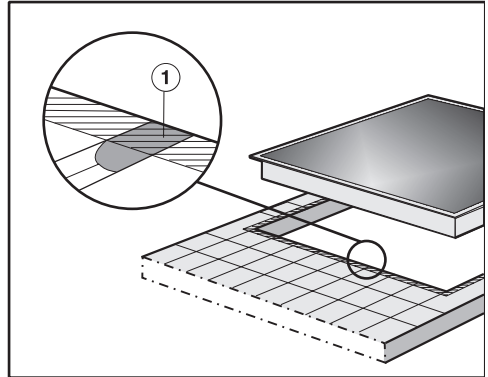


Do not use any sealant unless expressly instructed to do so. The sealing strip under the edge of the top part of the appliance provides a sufficient seal for the worktop.

Do not use sealant between the frame of the top part of the hob and the worktop.

This could cause difficulties if the hob ever needs to be taken out for servicing and possibly result in damage to the frame or the worktop.

Tiled worktop



Grout lines ① and the hatched area underneath the hob frame must be smooth and even. If they are not the hob will not sit flush with the worktop and the sealing strip underneath the hob will not provide a good seal between the hob and the worktop.

All electrical work should be carried out by a suitably qualified and competent person, in strict accordance with current local and national safety regulations (BS 7671 in the UK).

Installation, repairs and other work by unqualified persons could be dangerous. The manufacturer cannot be held liable for unauthorised work.

Ensure power is not supplied to the appliance until after installation or repair work has been carried out.

The appliance must only be operated when built-in. This is to ensure that all electrical parts are shielded. Live parts must not be exposed.

Do not connect the appliance to the mains electricity supply by an extension lead. These do not guarantee the required safety of the appliance.

Please make sure that the connection data quoted on the data plate match the household mains supply.

Connection should be made via a suitable isolator or a double pole fused spur connection unit which complies with national and local safety regulations and the on/off switch should be easily accessible after the appliance has been built in.

If the switch is not accessible after installation (depending on country) an additional means of disconnection must be provided for all poles.

For extra safety it is advisable to protect the appliance with a suitable residual current device (RCD).

When switched off there must be an all-pole contact gap of 3 mm in the isolator switch (including switch, fuses and relays).

Important UK

This appliance is supplied for connection to a single phase 230 V 50 Hz supply with a 3-core cable.

The wires in the mains lead are coloured in accordance with the following code:

Green/yellow = earth

Blue = neutral

Brown = live

WARNING
THIS APPLIANCE MUST BE
EARTHED


Electrical connection

Important

The electrical safety of this appliance can only be guaranteed when continuity is complete between it and an effective earthing system, which complies with current local and national safety regulations. It is most important that this basic safety requirement is present and regularly tested and where there is any doubt, the electrical wiring in the home should be tested by a qualified electrician. The manufacturer cannot be held liable for the consequences of an inadequate earthing system such as an electric shock.

If the connection cable is damaged, it must be replaced by a suitably qualified electrician with a special connection cable of type H 05 V V-F (pvc insulated), available from the Miele Service Department.

The manufacturer cannot be held liable for damage which is the direct or indirect result of incorrect installation or connection.

 Connection to the gas supply, or conversion from one type of gas to another, should only be undertaken by an approved and registered gas installer in strict accordance with local and national safety and building regulations (e.g. Gas Safe registered in the UK).

Every appliance should have its own easily accessible isolating valve and test point.

Check with your local gas supplier about the type of gas and its calorific value and compare this information with the type of gas quoted on the hob data plate.

This appliance is not connected to an exhaust flue. Please ensure it has adequate ventilation after installation.

The installer is responsible for ensuring that the appliance functions correctly when installed.

Depending on country, the hob is supplied ready for connection to natural or liquid gas (refer to label on the appliance).

United Kingdom:
GB II 2 H 3+ 20 mbar, 28-30/37 mbar

Ireland:
IE II 2 H 3+ 20 mbar, 28-30/37 mbar

Depending on country, a set of jets for conversion to an alternative type of gas may be included with the hob.

Please contact your dealer or the Miele Spare Parts Department for the appropriate conversion jets if necessary.

Conversion to another type of gas is described under "Conversion to another type of gas".

For any gas work in the UK always use a Gas Safe registered engineer.



Gas connection

Connection

The gas connection must be installed so that connection can be made either from inside or outside the kitchen unit, and the isolating valve must be easily accessible and visible (by opening one of the kitchen doors, if necessary).

After installing the appliance the gas burners have to be set for local conditions.

When the gas hob has been installed, it is essential to check that neither the gas pipe nor the electricity cable is in contact with hot parts of the appliance or hot gas exhaust, otherwise heat damage to the pipe and cable could occur.

A test for possible leakages must be carried out after installation.

Safety regulations demand that a pressure test point is installed near a gas hob to allow an engineer to test the pressure, following servicing.

The appliance is supplied with an R 1/2" - ISO 7-1 (DIN EN 10226) gas connection point.

An appropriate rigid connection and isolating valve must be installed for final connection.

The gas connection must be so sited that it is not adversely heated when the appliance is in operation.

Burner ratings

Nominal ratings for all gas types with the burner full on

| Burner | Gas type | KM 2010 / KM 2011 | | KM 2012 / KM 2013 / KM 2030 | |
|---------------|-------------|-------------------|-----|--------------------------------|-----|
| | | kW | g/h | kW | g/h |
| Small burner | Natural gas | 1.0 | - | 1.0 | - |
| | Liquid gas | 1.0 | 73 | 1.0 | 73 |
| Medium burner | Natural gas | 1.75 | - | 1.75 | - |
| | Liquid gas | 1.75 | 127 | 1.75 | 127 |
| Large burner | Natural gas | 2.6 | - | - | - |
| | Liquid gas | 2.6 | 189 | - | - |
| Wok | Natural gas | - | - | 3.80 | - |
| | Liquid gas | - | - | 3.80 | 277 |
| Total | Natural gas | 7.1 | - | 8.3 | - |
| | Liquid gas | 7.1 | 517 | 8.3 | 604 |

| Burner | Gas type | KM 2032 / KM 2033 / KM 2050 / KM 2051 | |
|---------------|-------------|---------------------------------------|-----|
| | | kW | |
| Small burner | Natural gas | 1.0 | - |
| | Liquid gas | 1.0 | 73 |
| Medium burner | Natural gas | 1.75 | - |
| | Liquid gas | 1.75 | 127 |
| Large burner | Natural gas | 2.6 | - |
| | Liquid gas | 2.6 | 189 |
| Wok | Natural gas | 3.80 | - |
| | Liquid gas | 3.80 | 277 |
| Total | Natural gas | 10.9 | - |
| | Liquid gas | 10.9 | 793 |


Burner ratings

Nominal rating at low setting

| Burner | Gas type | KM 2010 / KM 2011 | KM 2012 / KM 2013 / KM 2030 |
|---------------|-------------|-------------------|-----------------------------|
| | | kW | kW |
| Small burner | Natural gas | 0.25 | 0.25 |
| | Liquid gas | 0.25 | 0.25 |
| Medium burner | Natural gas | 0.35 | 0.35 |
| | Liquid gas | 0.35 | 0.35 |
| Large burner | Natural gas | 0.50 | 0.50 |
| | Liquid gas | 0.60 | 0.60 |
| Wok | Natural gas | - | 1.10 |
| | Liquid gas | - | 1.10 |

| Burner | Gas type | KM 2032 / KM 2033 / KM 2050 / KM 2051 | |
|---------------|-------------|---------------------------------------|--|
| | | kW | |
| Small burner | Natural gas | 0.25 | |
| | Liquid gas | 0.25 | |
| Medium burner | Natural gas | 0.35 | |
| | Liquid gas | 0.35 | |
| Large burner | Natural gas | 0.50 | |
| | Liquid gas | 0.50 | |
| Wok | Natural gas | 1.10 | |
| | Liquid gas | 1.10 | |

Conversion to another type of gas

 Connection to the gas supply, or conversion from one type of gas to another, should only be undertaken by an approved and registered gas installer in strict accordance with local and national safety and building regulations (e.g. Gas Safe registered in the U.K.).

Jet table

When converting to a different type of gas, the main burner jet and the small burner jets have to be changed.

| | Main burner jet Ø | Small burner jet Ø |
|---------------------------------|-------------------|--------------------|
| Natural gas / liquid gas | | |
| Small burner | 0.69 | 0.39 |
| Medium burner | 0.95 | 0.42 |
| Large burner | 1.10 | 0.54 |
| Wok | 1.35 | 0.80 |
| Liquid gas | | |
| Small burner | 0.50 | 0.27 |
| Medium burner | 0.65 | 0.32 |
| Large burner | 0.78 | 0.40 |
| Wok | 0.98 | 0.54 |

The jet markings refer to 1/100 mm of the jet diameter.

Conversion to another type of gas

Changing the jets

Disconnect the gas hob from the electricity supply by switching off at the socket or by disconnecting the mains fuse.

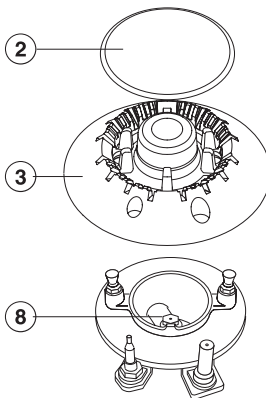
To change the main jets

Small, medium and large burners

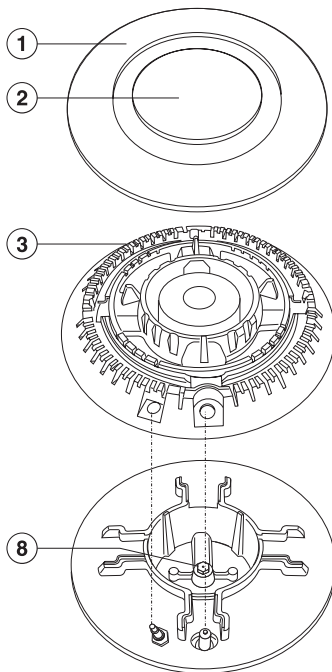
The burner cap ② and burner head ③ are locked in position. To remove the burner cap, turn it clockwise or anti-clockwise.

- Take off the burner cap ②, burner ring ① (for the wok) and burner head ③.
- Using an M7 socket spanner, unscrew the main jet ⑧.
- Fit the correct jets securely (see jet table).
- Finally secure the jets against inadvertent loosening with sealing wax.

Small, medium and large burners



Wok burner



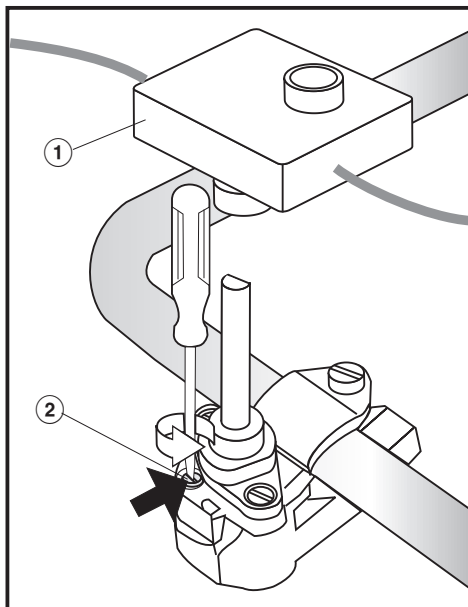
Conversion to another type of gas

To change the small jets

(for all burners)

The top of the appliance has to be removed before the small jets can be changed.

- Loosen the fixing screws on the burners.
- Pull the control knobs off.
- Lift the top of the appliance off.
- Remove ignitor ①.
- Using a small screwdriver, unscrew small jet ② in the gas fitting.
- Pull out the jet with a pair of pliers.
- Fit the correct jets securely (see jet table).
- Finally secure the jets against inadvertent loosening with sealing wax.



Conversion to another type of gas

After changing the jets

- Reassemble the burner parts in the reverse order,
- Check all gas fittings for leaks by operating the burner without the top section of the hob in place (use a match to ignite the flame).
- Remove the loose burner parts again.
- Replace the top section of the hob.
- Screw the parts for the burner bases together securely, and assemble the burners (in the correct order!).
- Replace the control knobs.
- Ignite all the burners to check that they are operating correctly.

The flame must not go out on the lowest setting, or when the control is turned quickly from a high to a low setting.

On the highest setting, the flame must have a distinctive and visible core.

- Stick the label supplied with the jets above the label stating the type of gas being used.

After sales service, data plate

In the event of any faults which you cannot remedy yourself, or if the appliance is under guarantee, please contact:

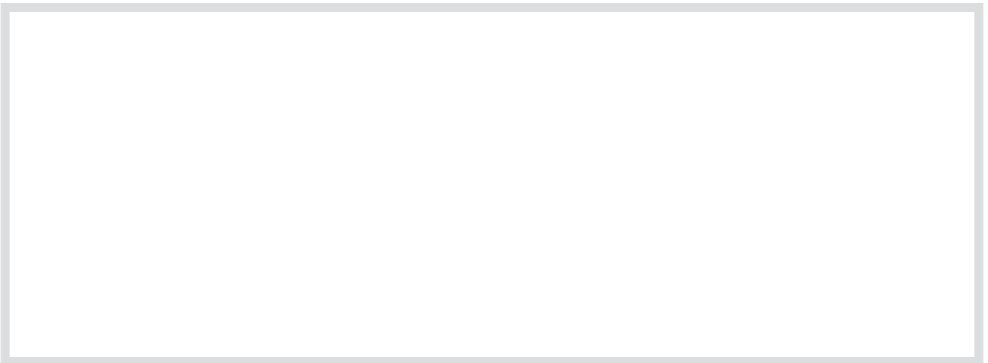
- Your Miele dealer, or
- the Miele Service Department (see back cover for address).

Please note that telephone calls may be monitored and recorded to improve our service.

When contacting Miele, please quote the model and serial number of your appliance. These are given on the data plate.

N.B. A call-out charge will be applied for service visits where the problem could have been resolved as described in these instructions.

Space in which to stick the extra data plate supplied with the appliance. Ensure that the model number is the same as the one on the front of these instructions.



United Kingdom

Miele Co. Ltd.
Fairacres, Marcham Road
Abingdon, Oxon, OX14 1TW
Tel: 0845 365 0555
Fax: 0845 365 0777
Customer Contact Centre Tel: 0845 365 6600
E-mail: info@miele.co.uk
Internet: www.miele.co.uk

Australia

Miele Australia Pty. Ltd.
ABN 96 005 635 398
1 Gilbert Park Drive, Knoxfield, VIC 3180
Tel: (03) 9764 7130, Fax: (03) 9764 7149
Internet: www.miele.com.au

China

Miele (Shanghai) Trading Ltd.
1-3 Floor, No. 82 Shi Men Yi Road
Jing' an District
200040 Shanghai, PRC
Tel: +86 21 6157 3500
Fax: +86 21 6157 3511
E-mail: mieleshanghai@cn.miele.com
Internet: www.miele.cn

Miele (Hong Kong) Limited

41/F - 4101, Manhattan Place
23 Wang Tai Road
Kowloon Bay
Hong Kong
Tel: (852) 2610 1331
Fax: (852) 2610 1013
Email: mielehk@miele.com.hk

India

Miele India Pvt. Ltd.
Ground Floor, Copia Corporate Suites
Plot No. 9, Jasola
New Delhi - 110025
Tel: 011-46 900 000, Fax: 011-46 900 001
E-mail: customercare@miele.in
Internet: www.miele.in

Manufacturer: Germany - Miele & Cie. KG
Carl-Miele-Straße 29, 33332 Gütersloh

Miele

Ireland

Miele Ireland Ltd.
2024 Bianconi Avenue
Citywest Business Campus, Dublin 24
Tel: (01) 461 07 10, Fax: (01) 461 07 97
E-Mail: info@miele.ie, Internet: www.miele.ie

New Zealand

Miele New Zealand Limited
Unit L, 10-20 Sylvia Park Road
Mt. Wellington, 1060, Auckland, NZ
Tel: 0800 264 353, Fax: 0800 463 453
Internet: www.miele.co.nz

Singapore

Miele Southeast Asia
Miele Pte. Ltd.
163 Penang Road
04 - 02/03 Winsland House II
Singapore 238463
Tel: +65 6735 1191, Fax: +65 6735 1161
E-Mail: infosea@miele.com.sg
Internet: www.miele.sg

South Africa

Miele (Pty) Ltd
63 Peter Place, Bryanston 2194
P.O. Box 69434, Bryanston 2021
Tel: +27 (0) 11 548-1900
Fax: +27 (0) 11 548-1935
E-mail: info@miele.co.za
Internet: www.miele.co.za

United Arab Emirates

Miele Appliances Ltd.
P.O. Box 11 47 82
Gold & Diamond Park
Sheikh Zayed Road
Building 6 / Offices Nos. 6-214 to 6-220
Dubai
Tel: +971-4-341 84 44
Fax: +971-4-341 88 52
E-Mail: info@miele.ae
Internet: www.miele.ae