

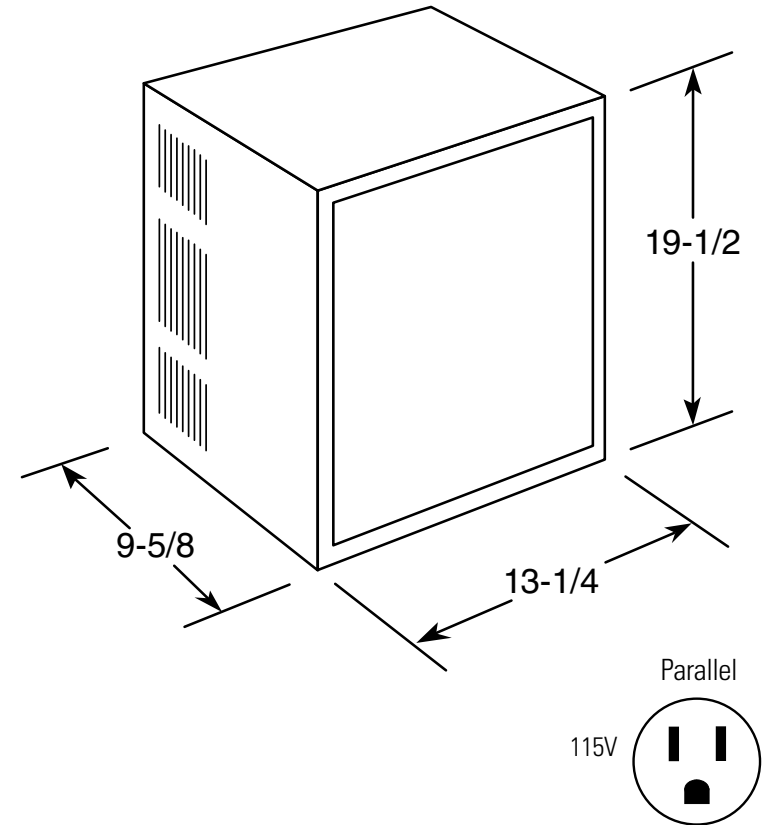
AHR40LM

GE® ENERGY STAR® Dehumidifier

Dimensions and Installation Information (in inches)

Wall Outlets: All wiring including installation of receptacle must be made in accordance with local electrical codes and regulations. Electrical outlet should be in reach of line cord.

Note: Aluminum wiring may pose special problems – consult a qualified electrician.



For answers to your Monogram®, GE Profile™ or GE® appliance questions, visit our website at ge.com or call GE Answer Center® service, 800.626.2000.



Total volume and shelf area are calculated by the Association of Home Appliance Manufacturers' standards.



Listed by Underwriters Laboratories



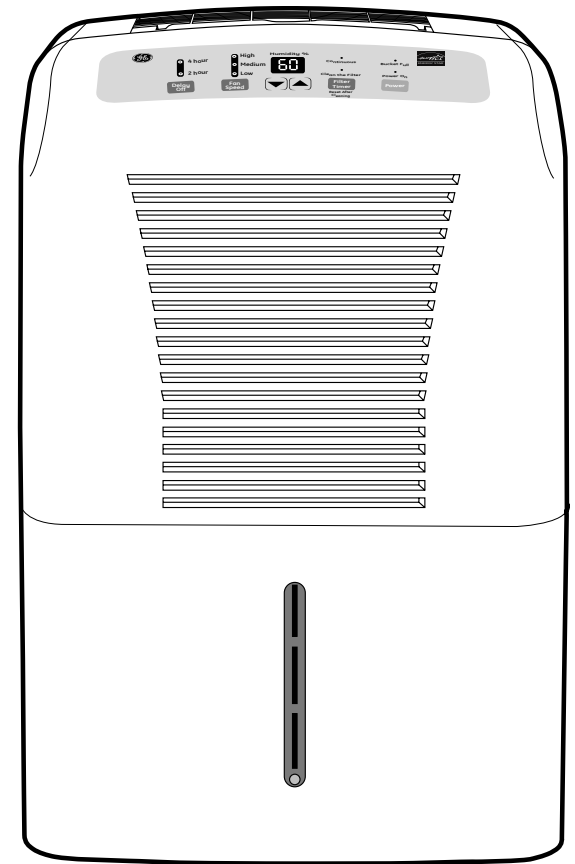
As an ENERGY STAR® partner, GE has determined that this product meets the ENERGY STAR guidelines for energy efficiency.

AHR40LM

GE® ENERGY STAR® Dehumidifier

Features and Benefits

- ENERGY STAR® Qualified
- 40 Dehumidification Pints Per Day
- Electronic Controls
- Low Temperature Operation
- Front Condensate Bucket with Water Level Indicator
- Automatic Shut-Off System when Bucket Fills
- 3 Fan Speeds
- Automatic Defrost Control
- External Drain Connector
- Easy Roll Casters
- Washable Air Filter
- 2- or 4-Hour Off Timer
- Model AHR40LM - Light Cool Grey



imagination at work



As an ENERGY STAR® partner, GE has determined that this product meets the ENERGY STAR guidelines for energy efficiency.

Specification Created 3/09

390741