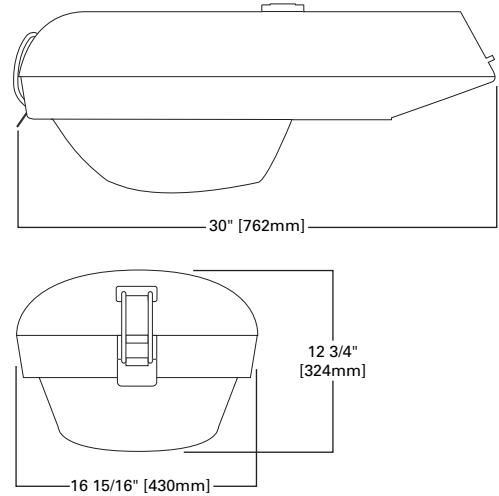


OVD DEEP PRISMATIC GLASS

ROADWAY LUMINAIRE

150-400W
MH/HPS/MERCURY

STREETWORKS™



HOUSING

Die-cast aluminum housing with stainless steel bail latch. Standard grey polyester powder coat finish. Other finish colors available. Consult your Streetworks Representative. Optional NEMA twistlock photocontrol receptacle also available.

SOCKET

Adjustable mogul-base porcelain socket.

DOOR

Die-cast aluminum door frame with integral hinges for hands free installation, relamping and maintenance. ANSI wattage/source label.

LENS

Removable borosilicate glass refractor for use with High Pressure Sodium, Metal Halide and Mercury lamp sources.

REFLECTOR

The optical system is a hydroformed anodized aluminum reflector with a Dacron polyester filter.

BALLAST ASSEMBLY

Hard mounted ballast with encapsulated starter for protection from environmental abuse. Standard two position tunnel type compression terminal block. Optional swing-down ballast bridge also available (Not available for 3G applications).

MOUNTING

Two-bolt/one bracket slipfitter with cast-in pipe stop and leveling steps. Fixed-in-place birdguard seals around 1 1/4" or 2" mounting arms. (Birdguard not needed for 2" arm.)

EPA:

Effective Projective Area: .64

SHIPPING DATA

Approximate Net Weight:
35 lbs. (16 kgs.)

ORDERING INFORMATION

SAMPLE NUMBER: OVD15SWW2F4

PRODUCT FAMILY	LAMP WATTAGE	LAMP TYPE ²	BALLAST TYPE ²	VOLTAGE ²	DISTRIBUTION ³	CUTOFF	OPTIONS + ACCESSORIES
OVD	15=150W ¹	S=High Pressure Sodium	C=CWI	2=120V	2=Type II	C=SNCO	(See Below)
	20=200W	M=Mag. Reg.	M=Mag. Reg.	0=208V	3=Type III	F=MNCO	
	25=250W	V=Mercury	W=CWA	4=240V			
	31=310W	M=Metal Halide	R=Reac./NPF	7=277V			
	40=400W		P=Hi. Reac./HPF	8=480V			
	24=250/400W wired 250W		H=Reac./HPF	9=347V			
	42=400/250W wired 400W		N=Hi. Reac./NPF	F=120/240 wired 120V			
			K=10KV CWA	P=240 w/PCR wired 120V			
				W=Multi-Tap wired 120V			
				N=Multi-Tap wired 277V			
				V=Multi-Tap wired 240V			

OPTIONS + ACCESSORIES [Must be listed in the order shown and separated by a dash]

OPTIONS (add as suffix)

1=Single Fuse, Internally Mounted (120 or 277V)
 2=Double Fuse, Internally Mounted (208, 240, or 480V)
 4=Photocontrol Receptacle
 WH=White
 BK=Black
 BZ=Bronze
 E=150W/100V/HPS Ballast
 H=Plug-in Starter Receptacle
 K=Level Indicator
 L=Lamp
 M=MOV Lightning Surge Protector ⁴
 P=Polycarbonate Refractor (250W Max.)
 T=Swing-down Ballast Bridge
 U=UL/CSA Listed

ACCESSORIES (order separately)

RA1003=Cutoff Visor
 OA/RA1013=Photocontrol Shorting Cap
 OA/RA1014=120V Photocontrol
 OA/RA1016=105V-285V Photocontrol
 OA/RA1027=480V Photocontrol
 OA1028=Field Installed PCR Kit
 OA1218=TufGuard Vandal Shield

OPTIONAL COLORS [Standard color is grey, other finish colors available. Consult your Cooper Lighting representative]



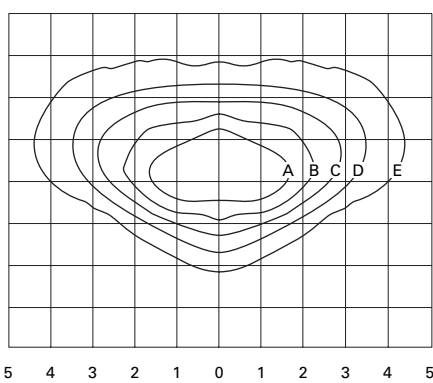
WH
White

BK
Black

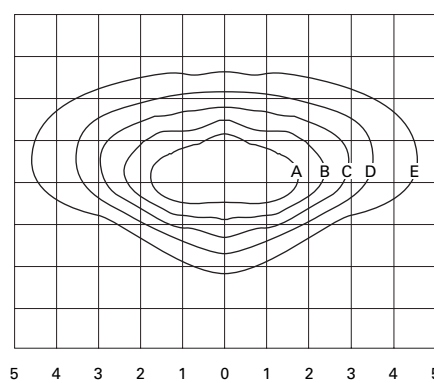
BZ
Bronze

NOTE: 1 150W units are for S55 lamp. 2 Refer to technical section for lamp/ballast/voltage compatibility. 3 Other distributions & cutoffs available. Consult your Streetworks Representative. 4 MOV option is not available for any system requiring a three position terminal block (Example—240V with PCR wired 120V). In order for MOV option to function center terminal of three position terminal block must be connected to "Earth" ground.

PHOTOMETRICS [Complete IES files available at www.cooperlighting.com]



OVD40S2C.IES
 400-Watt HPS
 50,000-Lumen Clear Lamp
 Type II-Short Non-Cutoff



OVD40S3F.IES
 400-Watt HPS
 50,000-Lumen Clear Lamp
 Type III-Medium Non-Cutoff

FOOTCANDLE TABLE

Select mounting height and read across for footcandle values of each isofootcandle line. Distance in units of mounting height.

Mounting Height	Footcandle Values for Isofootcandle Lines				
	A	B	C	D	E
OVD40S2C.IES					
25'	3.92	1.96	0.98	0.49	0.20
30'	2.72	1.36	0.68	0.34	0.14
35'	2.00	1.00	0.50	0.25	0.10
40'	1.52	0.76	0.38	0.19	0.08
OVD40S3F.IES					
25'	3.92	1.96	0.98	0.49	0.20
30'	2.72	1.36	0.68	0.34	0.14
35'	2.00	1.00	0.50	0.25	0.10
40'	1.52	0.76	0.38	0.19	0.08

PHOTOMETRIC DISTRIBUTION [Curve Number]

Wattage	Light Source ¹	Lens Type ²	II SNCO	II MNCO	III MNCO
150	HPS	Glass	N/A	OVD15S2F (150W)	OVD15S3F (150W)
200-250	HPS	Glass	N/A	OVD25S2F (250W)	OVD25S3F (250W)
400	HPS	Glass	OVD40S2C (400W)	N/A	OVD40S3F (400W)
250-400	MH (ED28)	Glass	OVD40M2C (400W)	N/A	OVD40M3F (400W)
250	MV (ED28)	Glass	N/A	OVD25V2F (250W)	OVD25V3F (250W)

NOTE: 1 All light sources are clear unless noted otherwise. 2 Prismatic refractor.

SWING-DOWN BALLAST MODULE

