



**Artisan IB**

**Range Hood  
Hotte**

**Installation Instructions  
Use and Care Guide**

**Instructions d'installation  
Mode d'emploi et d'entretien**

**FBI 362 XS IB  
FBI 482 XS IB**

# INDEX

---

WARNINGS AND REQUIREMENTS .....	3
RECOMMENDATIONS AND SUGGESTIONS .....	6
DIMENSIONS and MAIN PARTS.....	7
INSTALLATION .....	9
USE.....	12
CARE.....	13

## **READ AND SAVE THESE INSTRUCTIONS**

The Installer must leave these instructions with the homeowner.

The homeowner must keep these instructions for future reference and for local electrical inspectors' use.

### **READ THESE INSTRUCTIONS BEFORE YOU START INSTALLING THIS RANGEHOOD**

**WARNING: - TO REDUCE THE RISK OF A RANGE TOP GREASE FIRE:** Never leave surface units unattended at high settings. Boilovers cause smoking and greasy spillovers that may ignite. Heat oils slowly on low or medium setting. Always turn hood ON when cooking at high heat or when flambéing food (i.e. Crepes Suzette, Cherries Jubilee, Peppercorn Beef Flambé. Clean ventilating fans frequently. Grease should not be allowed to accumulate on fan or filter. Use proper pan size. Always use cookware appropriate for the size of the surface element.

**WARNING: - TO REDUCE THE RISK OF INJURY TO PERSONS IN THE EVENT OF A RANGE TOP GREASE FIRE, OBSERVE THE FOLLOWING: SMOTHER FLAMES** with a close-fitting lid, cookie sheet, or metal tray, then turn off the burner. **BE CAREFUL TO PREVENT BURNS.** If the flames do not go out immediately **EVACUATE AND CALL THE FIRE DEPARTMENT. NEVER PICK UP A FLAMING PAN** - You may be burned. **DO NOT USE WATER**, including wet dishcloths or towels - a violent steam explosion will result. Use an extinguisher **ONLY** if: 1. You know you have a Class ABC extinguisher, and you already know how to operate it. 2. The fire is small and contained in the area where it started. 3. The fire department is being called. 4. You can fight the fire with your back to an exit.

ALL WALL AND FLOOR OPENINGS WHERE THE RANGEHOOD IS INSTALLED MUST BE SEALED.

This rangehood requires at least 24" of clearance between the bottom of the rangehood and the cooking surface or countertop. Consult the cooktop or range installation instructions given by the manufacturer before making any cutouts. **MOBILE HOME INSTALLATION.** The installation of this rangehood must conform to the Manufactured Home Construction and Safety Standards, Title 24 CFR, Part 3280 (formerly Federal Standard for Mobile Home Construction and Safety, Title 24, HUD, Part 280). Four wire power supply must be used and the appliance wiring must be revised. See Electrical Requirements.

### **VENTING REQUIREMENTS**

**CAUTION** - To reduce risk of fire and to properly exhaust air, be sure to duct air outside – Do not vent exhaust air into spaces within walls or ceilings or into attics, crawl spaces, or garages".

Determine which venting method is best for your application. Ductwork can extend either through the wall or the roof. The length of the ductwork and the number of elbows should be kept to a minimum to provide efficient performance. The size of the ductwork should be uniform. Do not install two elbows together. Use duct tape to seal all joints in the ductwork system. Use caulking to seal exterior wall or floor opening around the cap.

**Flexible ductwork is not recommended. Flexible ductwork creates back pressure and air turbulence that greatly reduces performance.**

Make sure there is proper clearance within the wall or floor for exhaust duct before making cutouts. Do not cut a joist or stud unless absolutely necessary. If a joist or stud must be cut, then a supporting frame must be constructed.

**WARNING - To Reduce The Risk Of Fire, Use Only Metal Ductwork.**

## WARNING

- Venting system **MUST** terminate outside the home.
- **DO NOT** terminate the ductwork in an attic or other enclosed space.
- **DO NOT** use 4" laundry-type wall caps.
- Flexible-type ductwork is **NOT** recommended.
- **DO NOT** obstruct the flow of combustion and ventilation air.
- Failure to follow venting requirements may result in a fire.

## ELECTRICAL REQUIREMENTS

A 120 volt, 60 Hz AC-only electrical supply is required on a separate 15 amp fused circuit. A timedelay fuse or circuit breaker is recommended. The fuse must be sized per local codes in accordance with the electrical rating of this unit as specified on the serial/rating plate located inside the unit near the field wiring compartment. **THIS UNIT MUST BE CONNECTED WITH COPPER WIRE ONLY.** Wire sizes must conform to the requirements of the National Electrical Code, ANSI/NFPA 70 - latest edition, and all local codes and ordinances. Wire size and connections must conform with the rating of the appliance. Copies of the standard listed above may be obtained from:

National Fire Protection Association  
Batterymarch Park  
Quincy, Massachusetts 02269

This appliance should be connected directly to the fused disconnect (or circuit breaker) through flexible, armored or nonmetallic sheathed copper cable. Allow some slack in the cable so the appliance can be moved if servicing is ever necessary. A UL Listed, 1/2" conduit connector must be provided at each end of the power supply cable (at the appliance and at the junction box).

When making the electrical connection, cut a 1 1/4" hole in the wall. A hole cut through wood must be sanded until smooth. A hole through metal must have a grommet.

**WARNING - TO REDUCE THE RISK OF FIRE OR ELECTRIC SHOCK,** do not use this fan with any solid-state speed control device.

**WARNING - TO REDUCE THE RISK OF FIRE, ELECTRICAL SHOCK, OR INJURY TO PERSONS, OBSERVE THE FOLLOWING:** Use this unit only in the manner intended by the manufacturer. If you have any questions, contact the manufacturer.

Before servicing or cleaning unit, switch power off at service panel and lock the service disconnecting means to prevent power from being switched on accidentally. When the service disconnecting means cannot be locked, securely fasten a prominent warning device, such as a tag, to the service panel.

**CAUTION:** For General Ventilating Use Only. Do Not Use To Exhaust Hazardous or Explosive Materials and Vapors.

**WARNING - TO REDUCE THE RISK OF FIRE, ELECTRICAL SHOCK, OR INJURY TO PERSONS, OBSERVE THE FOLLOWING:** Installation Work And Electrical Wiring Must Be Done By Qualified Person(s) In Accordance With All Applicable Codes And Standards, Including Fire-Rated Construction.

Sufficient air is needed for proper combustion and exhausting of gases through the flue (chimney) of fuel burning equipment to prevent backdrafting. Follow the heating equipment manufacturer's guideline and safety standards such as those published by the National Fire Protection Association (NFPA), and the American Society for Heating, Refrigeration and Air Conditioning Engineers (ASHRAE), and the local code authorities.

When cutting or drilling into wall or ceiling, do not damage electrical wiring and other hidden utilities.

Ducted fans must always be vented to the outdoors.

### **WARNING**

- Electrical ground is required on this rangehood.
- If cold water pipe is interrupted by plastic, nonmetallic gaskets or other materials, **DO NOT** use for grounding.
- **DO NOT** ground to a gas pipe.
- **DO NOT** have a fuse in the neutral or grounding circuit. A fuse in the neutral or grounding circuit could result in electrical shock
- Check with a qualified electrician if you are in doubt as to whether the rangehood is properly grounded.
- Failure to follow electrical requirements may result in a fire.

# RECOMMENDATIONS AND SUGGESTIONS

⚠ The Instructions for Use apply to several versions of this appliance. Accordingly, you may find descriptions of individual features that do not apply to your specific appliance.

## INSTALLATION

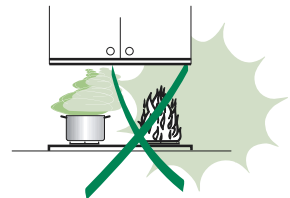
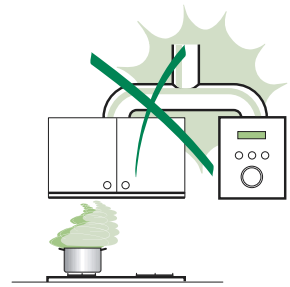
- The manufacturer will not be held liable for any damages resulting from incorrect or improper installation.
- Check that the main voltage corresponds to that indicated on the rating plate fixed to the inside of the hood.
- The electrical supply must be properly and sufficiently grounded. Connect the extractor to the exhaust flue through a pipe of minimum diameter 6". The route of the flue must be as short as possible.
- Do not connect the extractor hood to exhaust ducts carrying combustion fumes (boilers, fireplaces, etc.).
- If the extractor is used in conjunction with non-electrical appliances (e.g. gas burning appliances), a sufficient degree of aeration must be guaranteed in the room in order to prevent the backflow of exhaust gas. The kitchen must have an opening communicating directly with the open air in order to guarantee the entry of clean air.

## USE

- The range hood has been designed exclusively for domestic use to eliminate kitchen odors.
- Never use the hood for purposes other than for which it has been designed.
- Never leave high naked flames under the hood when it is in operation.
- Adjust the flame intensity to direct it onto the bottom of the pan only, making sure that it does not engulf the sides.
- Deep fat fryers must be continuously monitored during use: overheated oil can burst into flames.
- The hood should not be used by children or persons not instructed in its correct use.

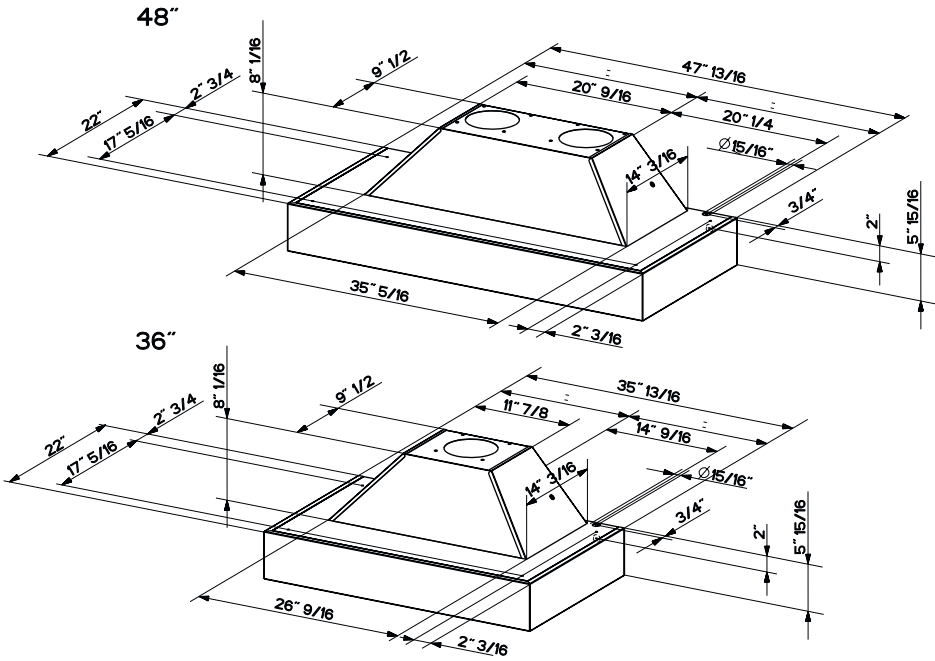
## CARE

- Switch off or unplug the appliance from the main supply before carrying out any maintenance work.
- Clean and/or replace the Filters after the specified time period.
- Clean the hood using a damp cloth and a neutral liquid detergent.



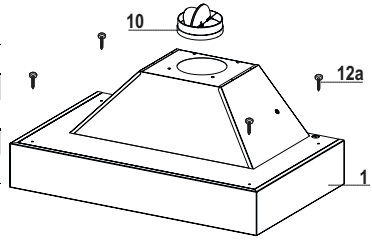
# DIMENSIONS and MAIN PARTS

## Dimensions



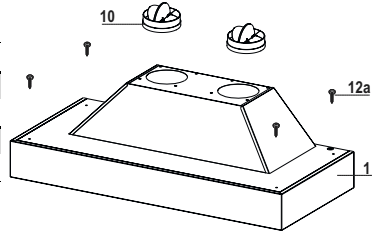
## Components

Ref.	Q.ty	Product Components
1	1	Hood Body, complete with: Controls, Light, Blower, Filters
10	1	Damper
Ref.	Q.ty	Installation Components
12a	4	Screws M3/16" x 1 " 9/16
Q.ty	Documentation	
1	Instruction Manual	

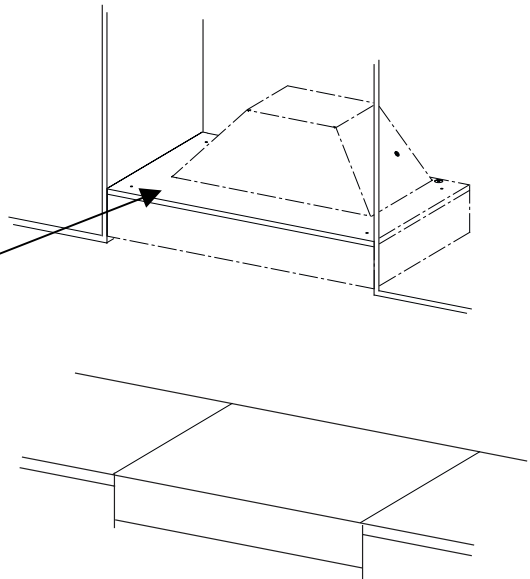


## Components

Ref.	Q.ty	Product Components
1	1	Hood Body, complete with: Controls, Light, Blower, Filters
10	2	Damper
Ref.	Q.ty	Installation Components
12a	4	Screws M3/16" x 1 " 9/16
Q.ty	Documentation	
1	Instruction Manual	



Hood support must be capable of supporting 40 lbs. (18,1 Kg) for 36" model or 55 lbs. (25 Kg) for 48" model.



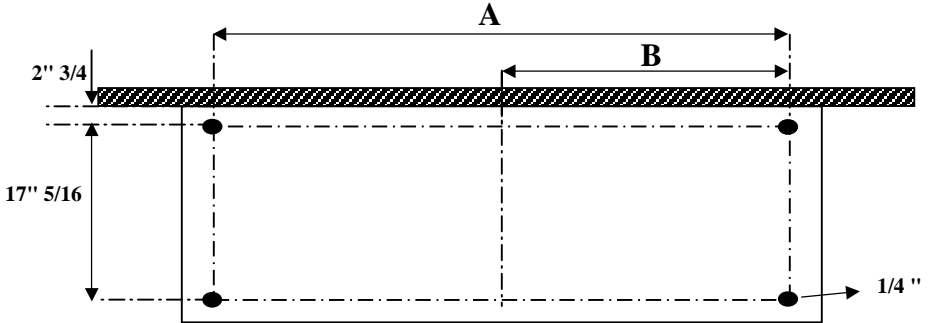


# INSTALLATION

## Prepare Location

Cover countertop or cooking surface with a thick, protective covering to prevent damaging them.

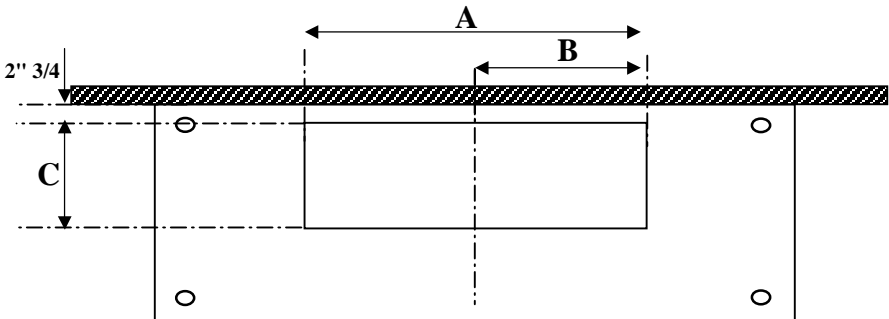
1. Mark the locations of the four 1/4 " holes on the hood support as shown.



HOOD size	A	B
36"	31" 7/16	15" 3/4
48"	43" 7/16	21" 11/16

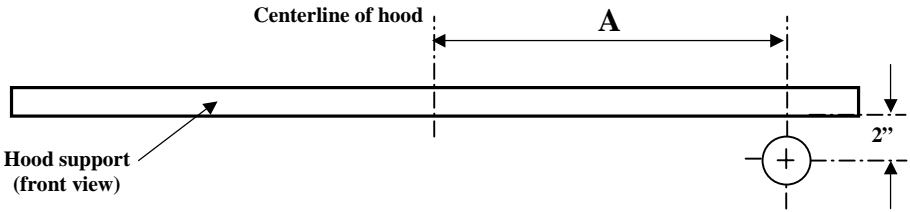
2. Drill the four holes.

3. Provide a rectangular clearance hole for the blower motor housing.



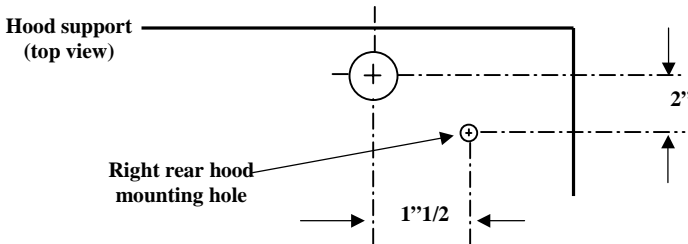
HOOD size	A	B	C
36"	28"	14"	16"
48"	36"	18"	14 " 1/2

4.If using the rear electrical knockout, drill a 1”1/4 hole through the wall at the location shown.

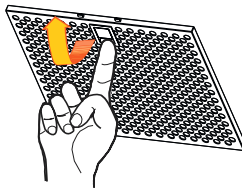


HOOD size	A
36"	14" 3/16
48"	20" 1/4

5. If using the top electrical knockout, drill a 1" 1/4 hole through the hood support at the location shown.

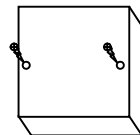


6. Remove the filters one at a time holding them up with one hand and pulling the handle downwards with the other hand at the same time.

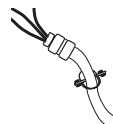


7. Disconnect power

8. Remove the terminal box cover located behind the right hand filter.

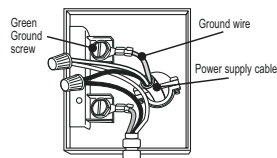


9. Install UL or CSA listed strain relief in hood so that screws can be tightened.

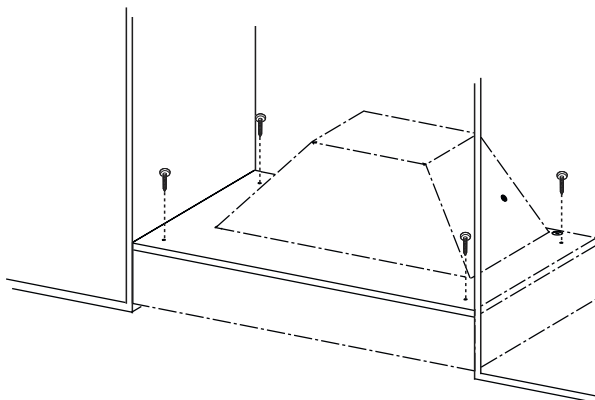


## ELECTRICAL CONNECTION

- Remove the cover from the Field Wiring Compartment with a phillips screwdriver.
- Feed the Power Supply Cable through the electrical knockout. Connect the Power Supply Cable to the range-hood cable. Attach the Power Supply Cable grounding lead to the green screw provided. Attach the White lead of the power supply to the White lead of the rangehood with a twist-on type wire connector. Attach the Black lead of the power supply to the Black lead of the rangehood with a twist-on type wire connector.
- Replace the cover.

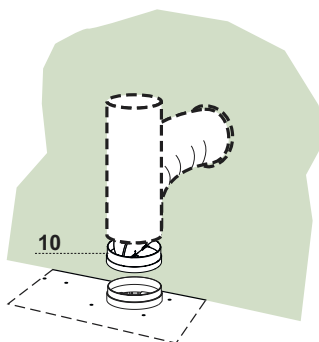


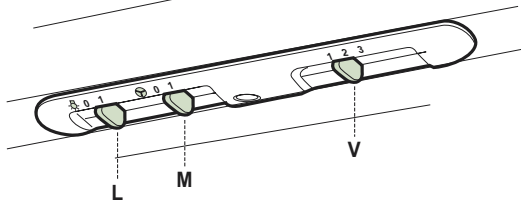
**10.** Insert the screw through the support and thread into the hood liner holes. Tighten screw securely.



**11.** Reconnect the power and Reinstall filters.

**12.** Install the damper 10"  $\phi$  6" and fix the duct in position using sufficient pipe clamps (not supplied).





**Control board**

---

<b>L</b>	Light	Switches the lighting system on and off
<b>M</b>	Motor	Switches the extractor motor on and off
<b>V</b>	Speed	Sets the operating speed of the extractor: <ol style="list-style-type: none"><li>1. Low speed, used for a continuous and silent air change in the presence of light cooking vapour.</li><li>2. Medium speed, suitable for most operating conditions given the optimum treated air flow/noise level ratio.</li><li>3. Maximum speed, used for eliminating the highest cooking vapour emission, including long periods.</li></ol>

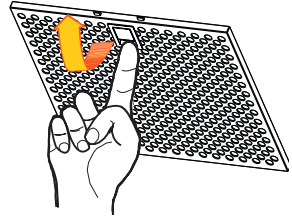
---

# CARE

## Grease filters

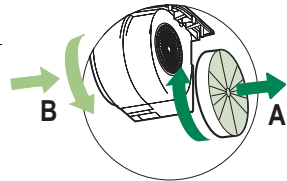
### CLEANING METAL SELF- SUPPORTING GREASE FILTERS

- The filters must be cleaned every 2 months of operation, or more frequently for particularly heavy usage, and can be washed in a dishwasher.
- Remove the filters one at a time holding them up with one hand and pulling the handle downwards with the other hand at the same time.
- Wash the filters, taking care not to bend them. Allow them to dry before refitting.
- When refitting the filters, make sure that the handle is visible on the outside.



### Activated charcoal filter (Recirculation version)

These filters are not washable and cannot be regenerated, and must be replaced approximately every 4 months of operation, or more frequently with heavy usage.



### REPLACING THE ACTIVATED CHARCOAL FILTER

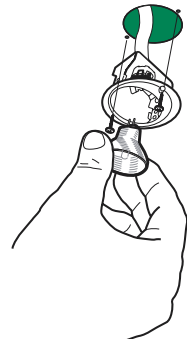
- Remove the metal grease filters
- Remove the saturated activated charcoal filter as shown (A).
- Fit the new filters (B).
- Replace the metal grease filters.

## Lighting

### LIGHT REPLACEMENT

#### 20 W halogen light.

- Remove the 2 screws fixing the Lighting support, and pull it out of from the Hood.
- Extract the lamp from the Support.
- Replace with another of the same type, making sure that the two pins are properly inserted in the lamp holder socket holes.
- Replace the Support, fixing it in place with the two screws removed as above.



# TABLE DES MATIÈRES

---

AVERTISSEMENT ET CONDITIONS N ÉCESSAIRES .....	15
CONSEILS ET SUGGESTIONS .....	18
DIMENSIONS et PRINCIPALES PIÈCES.....	19
INSTALLATION .....	21
UTILISATION.....	24
SOIN ET ENTRETIEN.....	25

## LIRE ET CONSERVER CES INSTRUCTIONS

L'installateur doit laisser ces instructions au propriétaire.

Le propriétaire doit conserver ces instructions en vue d'une utilisation subséquente et pour le bénéfice de l'inspecteur en électricité.

## LISEZ BIEN CETTE FICHE AVANT D'UTILISER LA HOTTE

**AVERTISSEMENT – POUR MINIMISER LE RISQUE D'UN FEU DE GRAISSE SUR LA CUISINIÈRE :** Ne jamais laisser un élément de la surface fonctionner sans surveillance à la puissance de chauffage maximale; un renversement/débordement de matière grasseuse pourrait provoquer un incendie ou causer de la fumée. Utiliser toujours une puissance de chauffage moyenne ou basse pour faire chauffer de l'huile. Veiller à toujours faire fonctionner le ventilateur de la hotte lors d'une cuisson avec une puissance de chauffage élevée ou lors de la cuisson d'un mets à flamber (i.e. Crêpes Suzette, Cherries Jubilee, Peppercorn Beef Flambé). Nettoyer fréquemment les ventilateurs d'extraction. Veiller à ne pas laisser de la graisse s'accumuler sur les surfaces du ventilateur ou des filtres. Utiliser toujours un ustensile de taille appropriée.

**AVERTISSEMENT – POUR RÉDUIRE LE RISQUE DE DOMMAGES CORPORELS APRÈS LE DÉCLENCHEMENT D'UN FEU DE GRAISSE SUR LA CUISINIÈRE, APPLIQUER LES RECOMMANDATIONS SUIVANTES :** Blessures en cas de feu suivre les recommandations suivantes : ÉTOUFFEZ LE FEU AVEC UN COUVERCLE MÉTALLIQUE ET FERMEZ LE BRÛLEUR. FAITES ATTENTION DE NE PAS VOUS BRÛLER. **SI LE FEU NE S'ÉTEINT PAS IMMÉDIATEMENT**, quittez les lieux et appelez les pompiers. ne touchez jamais une casserole en flammes – **VOUS POURRIEZ SUBIR DES BLESSURES. N'UTILISEZ JAMAIS DE L'EAU OU UN TORCHON MOUILLÉ POUR ÉTEINDRE LE FEU – CE QUI POURRAIT CAUSER UNE EXPLOSION DE VAPEUR.** vapeur brûlante. Utiliser un extincteur SEULEMENT si : 1. Il s'agit d'un extincteur de classe ABC, dont on connaît le fonctionnement. 2. Il s'agit d'un petit feu encore limité à l'endroit où il s'est déclaré. 3. Les pompiers ont été contactés. 4. Il est possible de garder le dos orienté vers une sortie pendant l'opération de lutte contre le feu.

N'utilisez un extincteur que si: 1. Vous avez sous la main un modèle ABC et vous comment l'utiliser correctement. 2. Le feu est faible et peu répandu. 3. Les pompiers sont déjà prévenus. 4. Vous conservez une sortie derrière vous.

## TOUTE OUVERTURE DANS LE MUR OU LE PLANCHER À PROXIMITÉ DE LA HOTTE DOIT ÊTRE SCELLÉ

Gardez 24 po. de hauteur entre le bas de la hotte et la surface de cuisson. Consultez la fiche technique avant de découper les armoires. **INSTALLATION DANS UNE MAISON MOBILE.** L'installation de cette hotte doit être conforme aux règlements de Manufactured Home Construction and Safety Standards, Titre 24 CFR, Section 3280 (anciennement Federal Standard for Mobile Home Construction and Safety, Titre 24, HUD, Section 280). Le branchement électrique s'effectue avec un raccordement à 4 fils. Consultez la Fiche Technique électrique.

## EXIGENCES DE VENTILATION (ÉVACUATION)

**ATTENTION –** Afin de réduire le risque d'incendie et pour bien évacuer l'air, assurez-vous de faire échapper l'air des conduits à l'extérieur – Ne jamais évacuer l'air vers des espaces comportant des murs ou des plafonds ou dans le grenier, la galerie ou le garage.

Déterminer la méthode d'évacuation de l'air la plus appropriée pour l'application. La sortie d'évacuation : soit par le mur, soit par le toit. Utilisez une longueur de tuyauterie minimale, incluant le moins de coudes possible pour une plus grande efficacité. Le calibre de la tuyauterie doit être uniforme. N'installez jamais 2 coudes ensembles. Scellez bien tous les joints avec un ruban adhésif métallique à l'intérieur et scellez bien le clapet extérieur en utilisant du calfeutrage.

**L'utilisation d'un tuyau d'évacuation flexible n'est pas recommandée. Les tuyaux flexibles créent une contre-pression et de la turbulence, ce qui réduit la puissance d'évacuation.**

Veillez à ce que l'espace pour le tuyau soit amplement suffisant, ainsi vous n'aurez pas à découper les supports de mur intérieur. On ne doit couper une solive ou un poteau de colombage que lorsque cela est absolument nécessaire. S'il est nécessaire de couper une solive ou un poteau de colombage, on doit construire une structure de support appropriée.

**AVERTISSEMENT – Afin de réduire le risque d'incendie, utilisez seulement des conduits en métal.**

## AVERTISSEMENT

- Le système d'évacuation DOIT se terminer à l'extérieur.
- N'ÉVACUEZ PAS le conduit dans un grenier ou dans tout autre espace fermé.
- N'UTILISEZ PAS un clapet de sècheuse à 4 pouces.
- ON DÉCONSEILLE l'emploi de conduit d'évacuation flexible.
- N'ENCOMBREZ PAS la circulation d'air.
- Le fait de ne pas respecter ces avertissements pourrait occasionner un incendie.

## FICHE TECHNIQUE ÉLECTRIQUE

Le raccordement électrique doit se faire avec un circuit séparé de 15 ampères fusibles à 120 V, 60 Hz, courant alternatif. Nous recommandons un coupe-circuit. La taille du fusible doit se conformer aux codes municipaux suivant la spécification électrique sur la plaque intérieure. **CET APPAREIL NE DOIT ÊTRE CONNECTÉ QU'EN UTILISANT DES FILS EN CUIVRE.** Le diamètre du fil devra aussi se conformer aux règlements du code national électrique, ANSI/NFPA 70, ainsi qu'aux règlements locaux et les spécifications de cet appareil. On peut obtenir ces informations auprès de :

National Fire Protection Association  
Battery March Park  
Quincy, Massachusetts 02269

Raccordez cet appareil directement au coupe-circuit( ou au disjoncteur) par l'intermédiaire de câble à conducteurs de cuivre, à blindage métallique flexible ou à gaine non-métallique. Un serre-câble **de ½ po.** (12,7 mm) (homologation UL ou CSA) doit être installé à chaque extrémité du câble d'alimentation (sur la hotte et sur le boîtier de distribution).

Faites un trou de 1 ¼ po. dans le mur. S'il s'agit d'un mur en bois, sablez bien le trou. Tandis qu'un trou dans le métal demande un oeillet (passe-fil).

**AVERTISSEMENT – POUR RÉDUIRE LE RISQUE D'INCENDIE OU DE CHOC ÉLECTRIQUE,** ne pas utiliser ce ventilateur en conjonction avec un dispositif de réglage de vitesse à semi-conducteurs.

**AVERTISSEMENT – POUR MINIMISER LES RISQUES D'INCENDIE, CHOC ÉLECTRIQUES OU BLESSURES, OBSERVER CETTE RÈGLE :** suivez strictement les recommandations du fabricant ; en cas de nécessité veuillez le contacter.

Avant d'entreprendre un travail d'entretien ou de nettoyage, interrompre l'alimentation de la hotte au niveau du tableau de disjoncteur, et verrouiller le tableau de disjoncteur pour empêcher tout rétablissement accidentel de l'alimentation du circuit. Lorsqu'il n'est pas possible de verrouiller le tableau de disjoncteur une étiquette d'avertissement proéminent interdisant le rétablissement de l'alimentation.

**IMPORTANT :** Pour une ventilation de type général seulement. Ne pas utiliser cet appareil pour l'évacuation de matières ou vapeurs explosives.



**AVERTISSEMENT – POUR MINIMISER LES RISQUES D'INCENDIE, CHOC ÉLECTRIQUES OU BLESSURES, OBSERVER CETTE RÈGLE :** l'installation et le raccordement électrique ne doivent être effectués que par un technicien(s) qualifié, selon tous les codes municipaux.

Afin d'obtenir un rendement maximal en ce qui a trait à la combustion ainsi qu'à l'évacuation des gaz par la conduite de cheminée et pour qu'il n'y ait pas de reflux des gaz de combustion, une bonne aération est nécessaire pour tous les appareils à combustion. Suivez les conseils et mesures de sécurité du fournisseur tels que ceux publiés par la National Fire Protection Association (NFPA) et l'American Society for Heating, Refrigeration and Air Condition Engineers (ASHRAE) ainsi que les codes municipaux.

Lors d'opération de découpage et de perçage dans un mur ou un plafond, veiller à ne pas endommager les câblages électriques ou canalisations qui peuvent s'y trouver.

Un conduit de ventilation doit toujours se terminer à l'extérieur.

### **AVERTISSEMENT**

- Une prise à la terre est nécessaire pour cette hotte.
- **N'UTILISEZ PAS** un tuyau à l'eau froide pour la mise à la terre s'il est connecté à du plastique, un joint non métallique ou autre matériel.
- **N'EFFECTUEZ PAS** la mise à la terre sur la conduite de gaz.
- **NE PAS INSTALLER** un fusible dans le conducteur neutre ou le conducteur de liaison à la terre.
- Vérifiez avec un électricien qualifié que la hotte est bien mise à la terre.
- Le fait de ne pas respecter ces avertissements pourrait occasionner un incendie.

# CONSEILS ET SUGGESTIONS

⚠ Les instructions d'utilisation s'applique à plusieurs versions de ce type d'appareil. En conséquence, il est possible que vous trouviez des descriptions de caractéristiques ne s'appliquant pas à votre appareil.

## INSTALLATION

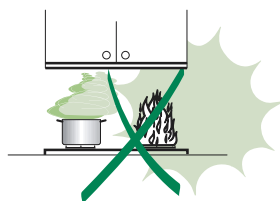
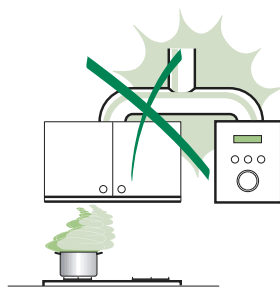
- Le fabricant décline toute responsabilité en cas de dommage dû à une installation inadéquate ou non conforme aux règles de l'art.
- Vérifiez que la tension du secteur correspond à la valeur qui figure sur la plaque apposée à l'intérieur de la hotte.
- L'alimentation électrique doit être adéquatement et suffisamment mise à la terre.  
Connectez la hotte à la sortie de l'air aspiré à l'aide d'une tuyauterie d'un diamètre ou supérieur à 6 po. Le parcours de la tuyauterie doit être le plus court possible.
- Évitez de connecter la hotte à des conduites d'évacuation de fumées issues d'une combustion tel que une chaudière, une cheminée, etc.
- Si vous utilisez des appareils qui ne fonctionnent pas à l'électricité dans la pièce ou est installée la hotte (par exemple : des appareils fonctionnant au gaz), vous devez prévoir une aération suffisante de l'espace. Si la cuisine en est dépourvue, pratiquez une ouverture qui communique avec l'extérieur pour garantir l'infiltration de l'air pur.

## UTILISATION

- La hotte a été conçue exclusivement pour un usage domestique, dans le but d'éliminer les odeurs de la cuisine.
- Ne jamais utiliser la hotte de manière abusive.
- Ne pas laisser les flammes libres à forte intensité lorsque la hotte est en service.
- Toujours régler les flammes de manière à éviter toute sortie latérale de ces dernières par rapport au fond des casseroles.
- Contrôler les friteuses lors de l'utilisation, car l'huile surchauffée pourrait s'enflammer
- La hotte ne doit pas être utilisée par des enfant ou des personnes ne pouvant pas en assurer une utilisation adéquate

## ENTRETIEN

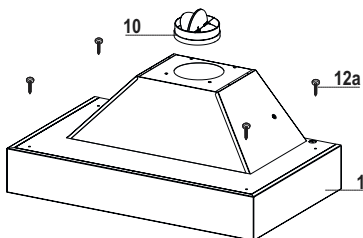
- Avant de procéder à toute opération d'entretien, retirer la hotte en la débranchant ou en la mettant hors-circuit.
- Effectuer un entretien scrupuleux et en temps voulu des filtres.
- Pour le nettoyage des surfaces de la hotte, il suffit d'utiliser un linge humide et un détergent liquide neutre.





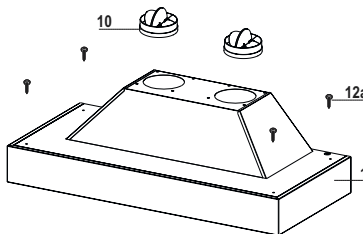
## Composantes

Réf.	Qté	Pièces du produit
1	1	Corps de la hotte équipé de : commandes, lumière, groupe ventilateur, filtres
10	1	Clapet d'air
Réf.	Qté	Pièces servant à l'installation
12a	4	Vis M3/16" x 1 " 9/16
Qté	Documentation	
1	Manuel d'instructions	

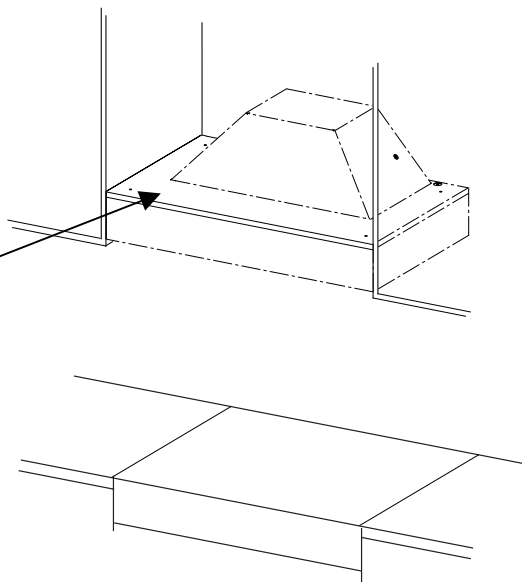


## Composantes

Réf.	Qté	Pièces du produit
1	1	Corps de la hotte équipé de : commandes, lumière, groupe ventilateur, filtres
10	1	Clapet d'air
Réf.	Qté	Pièces servant à l'installation
12a	4	Vis M3/16" x 1 " 9/16
Qté	Documentation	
1	Manuel d'instructions	



Le support de la hotte doit être en mesure de soutenir 40 lbs. (18,1 Kg) pour le modèle 36" ou 55 lbs. (25 Kg) pour le modèle de 48".

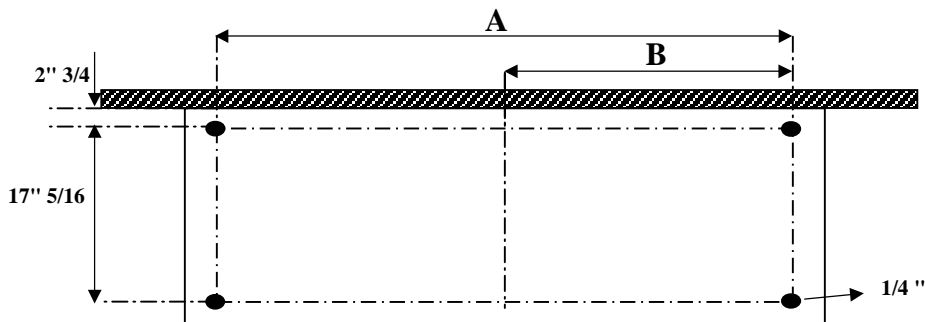


# INSTALLATION

## Préparation de la surface de travail

Recouvrir le comptoir ou le dessus de la cuisinière avec une protection assez épaisse afin d'éviter de les endommager.

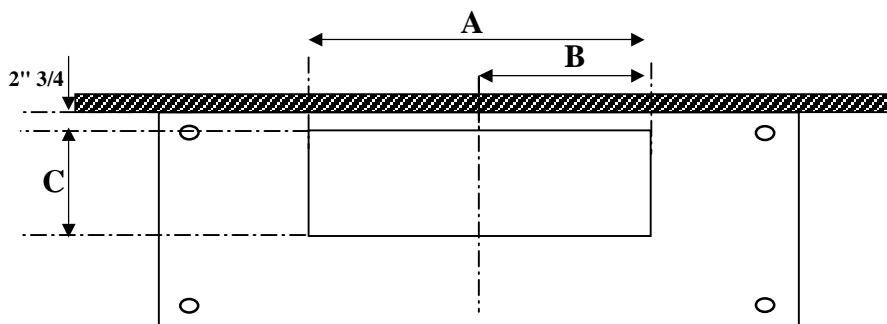
1. Indiquer l'endroit où effectuer les quatre trous de 1/4 " sur le support de la hotte.



Hotte	A	B
36"	31" 7/16	15" 3/4
48"	43" 7/16	21" 11/16

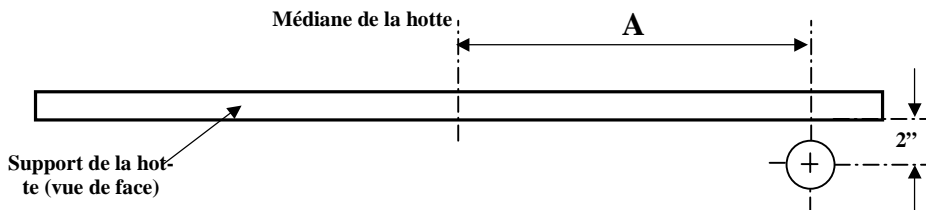
2. Percer les quatre trous.

3. Laisser un trou de passage rectangulaire pour la boîte du moteur souffleur.



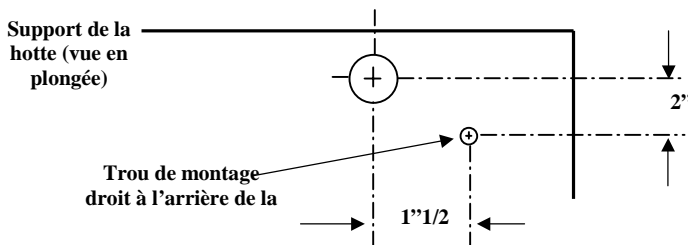
Hotte	A	B	C
36"	28"	14"	16"
48"	36"	18"	14 " 1/2

4. Si l'entrée électrique sectionnable arrière est utilisée, percer un trou de 1"1/4 à travers le mur à l'emplacement indiqué.

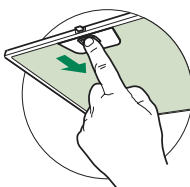


Hotte	A
36"	14" 3/16
48"	20" 1/4

5. Si l'entrée électrique sectionnable du haut est utilisée, percer un trou de 1"1/4 à travers le mur à l'emplacement indiqué.

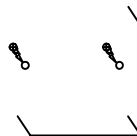


6. Retirer les filtres. Utiliser les deux mains pour retirer le filtre. Pousser la languette vers l'arrière afin de dégager la tige de blocage, tirer vers le bas et vers l'avant. Mettre le filtre de côté. Recommencer la manœuvre avec les autres filtres.



7. Débrancher le courant

8. Retirer le couvercle du boîtier de connexion situé derrière le filtre droit.

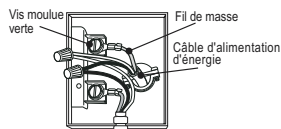


9. Installer dans la hotte un serre-câble certifié UL ou CSA afin que les vis puissent être serrées.

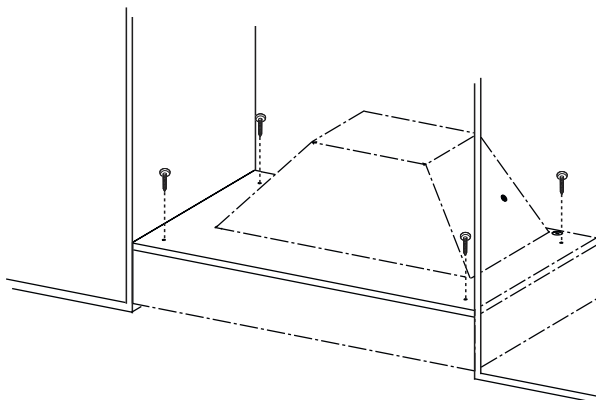


## BRANCHEMENT ÉLECTRIQUE

- Retirer le couvercle du compartiment de filage à l'aide d'un tournevis Phillips.
- Passer le câble d'alimentation dans la pastille enfonçable. Brancher le câble d'alimentation sur la hotte. Attacher le conducteur de mise à la terre du câble d'alimentation à la vis verte fournie. Attacher le fil blanc du câble d'alimentation au fil blanc de la hotte avec une cosse (connecteur de fils). Attacher le fil noir du câble d'alimentation au fil noir de la hotte avec une cosse (connecteur de fils).
- Replacer le couvercle.

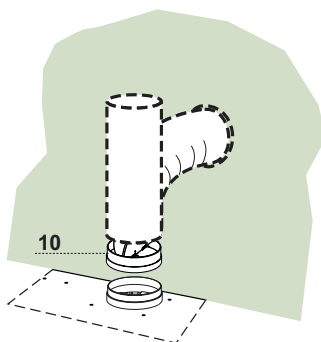


10. Insérer les vis à travers le support et visser dans les trous profilés de la hotte. Serrer les vis fermement.



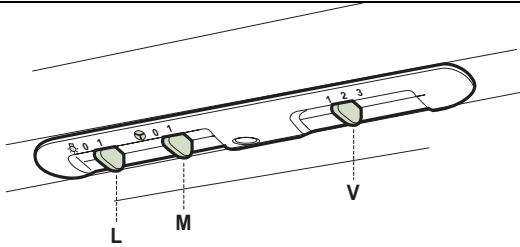
11. Rebrancher le courant et réinstaller les filtres.

12. Installer le clapet d'air 10 ø 6" et fixer le conduit à la position voulue en utilisant des colliers de serrage pour tuyau (non fournis).



# UTILISATION

---



## Tableaux des commandes

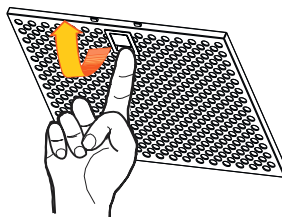
<b>L</b>	Lumières	Allume et éteint l'éclairage.
<b>M</b>	Moteur	Allume et éteint le moteur aspiration
<b>V</b>	Vitesses	Détermine les vitesses d'exploitation ainsi subdivisées: 1.Vitesse minimale, pour un rechange d'air permanent particulièrement silencieux en cas de faibles vapeurs de cuisson. 2.Vitesse moyenne pour la plupart des conditions d'utilisation, étant donné le rapport optimal entre débit d'air traité et niveau sonore. 3.Vitesse maximum, pour faire face aux émissions maximum de vapeur de cuisson, même pendant des temps prolongés .



## Filtres anti-graisse

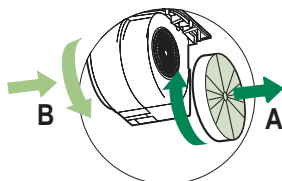
### NETTOYAGE FILTRES ANTI-GRAISSE METALLIQUES AUTOPORTEURS

- Lavables au lave-vaisselle, ils doivent être lavés environ tous les 2 mois d'emploi ou plus fréquemment en cas d'emploi particulièrement intense.
- Enlevez les filtres l'un après l'autre en les soutenant avec une main et en tirant en même temps la poignée vers le bas avec l'autre main.
- Laver les filtres en évitant de les plier et les laisser sécher avant de les remonter.
- Remonter les filtres en veillant à ce que la poignée reste vers la partie visible externe



## Filter anti-odeur (Version filtrante)

Il ne sont pas lavables ni régénérables, il faut les remplacer au moins tous les 4 mois d'emploi ou plus fréquemment en cas d'emploi particulièrement intense.



### REPLACEMENT FILTRE AU CHARBON ACTIF

- Retirer les filtres anti-graisse métalliques.
- Retirer les filtres anti-odeur au charbon actif saturés, comme indiqué (A).
- Monter les nouveaux filtres (B).
- Remonter les filtres anti-graisse métalliques.

## Éclairage

### REPLACEMENT DES AMPOULES

#### Lampe halogène de 20 W.

- Retirer les 2 vis qui fixent le support éclairage et retirer ce dernier de la hotte.
- Extraire l'ampoule du support.
- Remplacer par une nouvelle ampoule possédant les mêmes caractéristiques, en veillant à ce que les deux fiches soient correctement insérées dans le logement de la douille.
- Remonter le support en le fixant à l'aide des deux vis précédemment retirées.

