

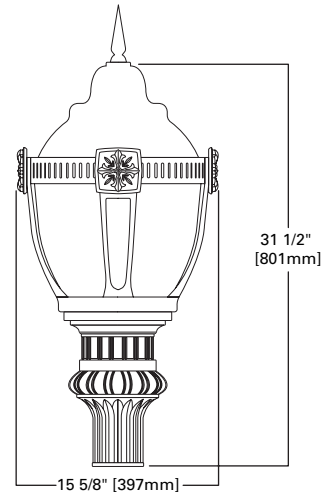
# ANG MANCHESTER

DECORATIVE GLASS LUMINAIRE

70-175W  
MH/HPS



STREETWORKS™



**FINIAL**

Cast finial optional. Finial painted to match cast housing.

**GLOBE**

Borosilicate two-piece prismatic glass refractor, available in either a Type III or Type V distribution.

**CAGE OR BAND**

Optional decorative cage or band is available. Cage uprights are manufactured of cast aluminum. Bands are extruded aluminum. Finish colors match housing color choice. Optional gold anodized band available. Other finish colors available. Consult your Streetworks Representative.

**HOUSING**

Heavy-duty cast aluminum housing. Optional NEMA PCR is accessible through door assembly. Provided with 1" ANSI wattage source label.

**BALLAST**

Ballast provided with a power tray assembly for ease of maintenance. Mogul-base is standard for 70W through 150W HPS and 175W MH. 70W through 150W MH use medium-base. Standard plug-in starter when applicable. U.L. Listing is available.

**MOUNTING**

Post top mount fits 3" O.D. tenons and secures in place with four (4) allen-head set screws.

**FINISH**

Standard polyester powder coat finish in black. For more color options see optional color or consult your Streetworks representative for more information.

**EPA:**

Effective Projective Area: 1.6

**SHIPPING DATA**

Approximate Net Weight:

60 lbs. (27 kgs.)

**ORDERING INFORMATION**

**SAMPLE NUMBER:** ANG17MWW33431

PRODUCT FAMILY	LAMP WATTAGE <sup>1</sup>	LAMP TYPE <sup>1</sup>	BALLAST TYPE <sup>1</sup>	VOLTAGE <sup>1</sup>	REFRACTOR TYPE	CAGE/BAND TYPE	TOP TYPE	FINIAL TYPE <sup>4</sup>	OPTIONS + ACCESSORIES (See Below)
ANG=Manchester	70=70W 10=100W 15=150W 17=175W	M=Metal Halide <sup>2</sup> S=High Pressure Sodium	R=Reac./NPF <sup>3</sup> H=Reac./HPF N=Hi. Reac./NPF P=Hi. Reac./HPF W=CWA	2=120V 0=208V 4=240V 7=277V 8=480V 9=347V W=Multi-Tap Wired 120V N=Multi-Tap Wired 277V	33=Type III 55=Type V	1=Classical A=Classical/Sun Gold B=Classical/Antique Gold C=Classical/Colonial Bronze 4=Gold Anodized Band <sup>4</sup> 5=Painted Band X=None	3=Victorian	1=Victorian 2=Modern 3=Architectural 4=Nostalgic 5=Old World X=None	

**OPTIONS + ACCESSORIES** [Must be ordered in alphanumeric order]

**OPTIONS** (add as suffix)

- 1=Single Fuse (120 or 277V)
- 2=Double Fuse (208, 240, or 480V)
- 4=Internal NEMA photocontrol Receptacle
- BZ=Bronze
- AP=Grey
- DP=Dark Platinum
- H=Hartford Green
- U=UL/CSA Listed

**ACCESSORIES** (order separately)

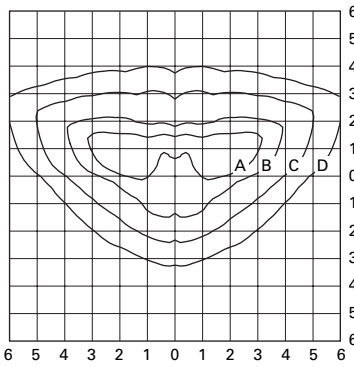
- AA3000=House Side Shield—Mogul-base Socket
- AA3001=House Side Shield—Medium-base Socket

**OPTIONAL COLORS** [Standard color is black, other finish colors available. Consult your Cooper Lighting representative]

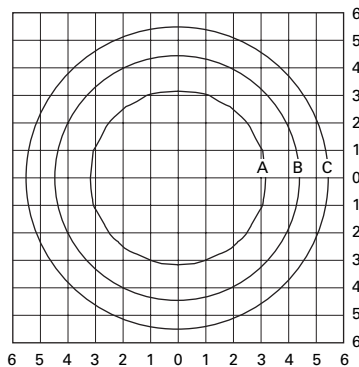
<b>BZ</b> Bronze	<b>AP</b> Grey	<b>DP</b> Dark Platinum	<b>H</b> Hartford Green

NOTE: 1 Refer to technical section for lamp/ballast/voltage compatibility. 2 Medium-base socket standard for 150W and below MH. 3 Available in 120V only. 4 When gold anodized band is chosen, finial finished in gold.

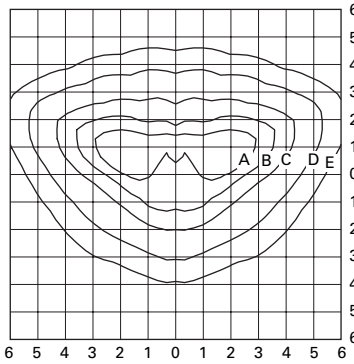
PHOTOMETRICS [Complete IES files available at [www.cooperlighting.com](http://www.cooperlighting.com)]



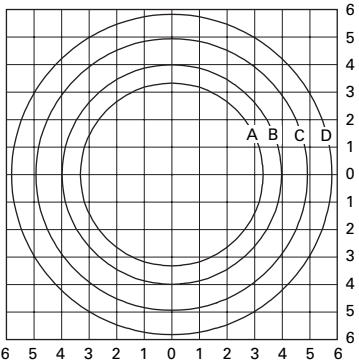
**ANG15S33.IES**  
150-Watt HPS  
16,000-Lumen Lamp  
Type III Glass Refractor



**ANG15S55.IES**  
150-Watt HPS  
16,000-Lumen Lamp  
Type V Glass Refractor



**ANG17M33.IES**  
175-Watt MH  
14,000-Lumen Lamp  
Type III Glass Refractor



**ANG17M55.IES**  
175-Watt MH  
14,000-Lumen Lamp  
Type V Glass Refractor

**FOOTCANDLE TABLE**

Select mounting height and read across for footcandle values of each isofootcandle line. Distance in units of mounting height.

Mounting Height	Footcandle Values for Isofootcandle Lines			
	A	B	C	D
<b>ANG15S33.IES</b>				
10'	2.25	1.12	0.45	0.22
15'	1.00	0.50	0.20	0.10
20'	0.56	0.28	0.11	0.05

**ANG15S55.IES**

10'	1.12	0.45	0.22
15'	0.50	0.20	0.10
20'	0.28	0.11	0.05

**FOOTCANDLE TABLE**

Select mounting height and read across for footcandle values of each isofootcandle line. Distance in units of mounting height.

Mounting Height	Footcandle Values for Isofootcandle Lines				
	A	B	C	D	E
<b>ANG17M33.IES</b>					
10'	2.00	1.00	0.50	0.20	0.10
15'	0.88	0.44	0.22	0.09	0.04
20'	0.50	0.25	0.3	0.05	0.03

**ANG17M55.IES**

10'	1.00	0.50	0.20	0.10
15'	0.44	0.22	0.09	0.04
20'	0.25	0.3	0.05	0.03

FINIAL OPTIONS [Painted to match housing]

