

Avenview



VTS-C5 Series

Part #: VTS-C5-R

Part #: VTS-C5-S



Description

VTS-C5 Series solution is an extension system to transmit VGA and RS-232 Data (Tx/Rx) over Cat 5/5e/6 cable up to 300 meters (1000 ft). VTS-C5 system consists of a Transmitter and a Receiver unit. The Transmitter is placed near PC and Receiver near Touch Screen and Cat 5/5e/6 cable is used to connect both devices. It is suitable for the interactive application of Touch Screen Extension and Flat Panel Remote Control. It can simplify the installation, ease the maintenance and reach a longer distance. The video quality can be adjusted very easily from the FOCUS and GAIN Control in the Receiver. Now, you can centralize PC and servers in a secured place and extend the VGA and Data signal up to 300 meters (1000 ft).

The VTS-C5 Series is easy to install and provides accurate signal. It come with a magnetic pad on the bottom of unit and an attachable metal plate, so you can place the VGA Data Extender very easily on the surface of PC or any preferred place.

Features

- Extend VGA and Data signal over Cat 5/5e/6 cable
- Supported VGA Resolution and Distance (distance is based on UTP Cable skew at 30ns/100m):
 - 1024x768 @ 300m (1000ft)
 - 1280x1024 @ 200m (650ft)
 - 1600x1200 @ 200m (650ft)
 - 1920x1440 @ 200m (650ft)
 - 2048x1536 @ 50m (165ft)
- Bi-directional Serial RS-232 control
- Remote and Local monitors can display simultaneously
- Plug & Play
- Supports VGA, SVGA, XGA, TFT_LCD, with DDC2B function
- Equipped with magnetic pad and metal plate for easy installation
- Compact size

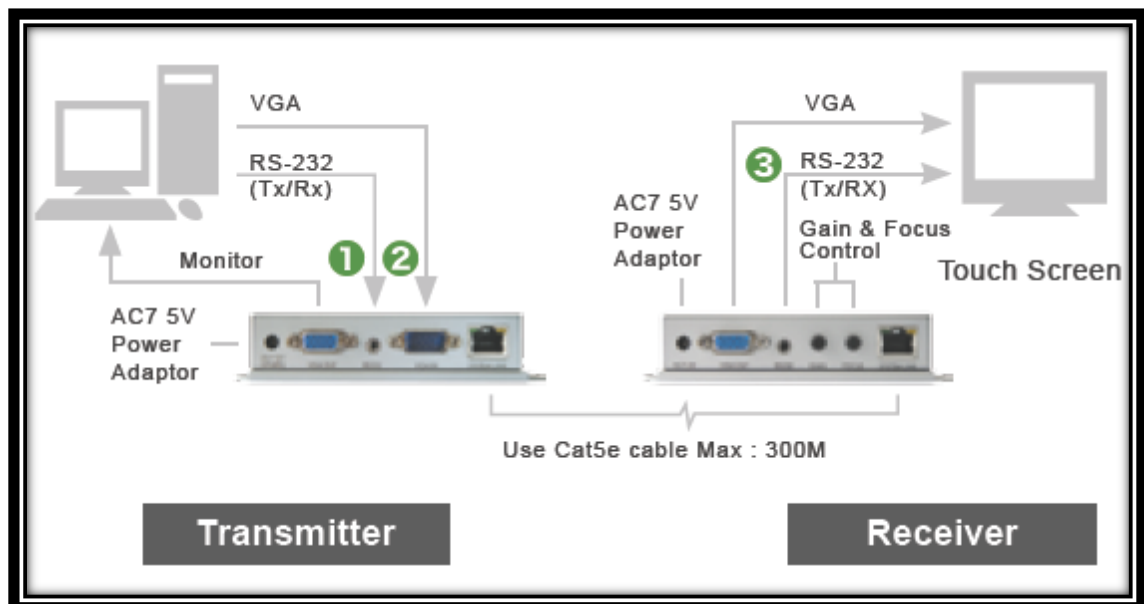
System Devices and Functions

Transmitter VTS-C5-S

- Built-in one set of VGA (DB15) and Data (DB9) inputs
- Built-in one set of VGA (DB15) output for monitor
- Built-in one RJ45 port for system output which can be connected by Cat5/5e/6 cable and send signal to System Receiver

Receiver VTS-C5-R

- Built-in one set of VGA (DB15) and Data (DB9) output for Touch Screen
- Maximum VGA resolution of up to 2048x1536 @ 300m (1000ft)
- Built-in Video and Focus control to adjust video quality
- A PS/2 connector to provide power for Touch Screen's RS-232 control



Connection Diagram of VTS-C5 Series



Cable and Accessories



DB0 Female VTS Cable



VGA Cable 1m



DB9 Male VTS Cable

Package Content

<p>VTS-C5 (Transmitter & Receiver Set)</p>	<ul style="list-style-type: none"> • Touch Screen 1 Port Transmitter • Touch Screen 1 Port Receiver • VGA Cable 1m • RS232 Cable 1.8m Male • RS232 Cable 1.8m Female • AC 7.5V 1000mA • User Manual
<p>VTS-C5-R Receiver</p>	<ul style="list-style-type: none"> • Touch Screen 1 Port Receiver • VGA Cable 1m • RS232 Cable 1.8m Male • RS232 Cable 1.8m Female • AC 7.5V 1000mA • User Manual



Specifications	VGA-C5-S	VGA-C5-R
Description	1 Port Transmitter	1 Port Receiver
AV Input	DB15 / DB9	RJ45
AV Output	DB15 / RJ45	DB15 / DB9
Video CTRL	-	Gain & Focus
LED	Tx / Rx	
Maximum Resolution	1024 x 768 @ 300m (1000ft) 1280 x 1024 @ 200m (650ft) 1600 x 1200 @ 200m (650ft) 1920 x 1440 @ 200m (650ft) 2048 x 1536 @ 50m (165ft)	
Power Input	AC 7.5V	
Power Output	-	DC 5V
Dimensions	62 x 113 x 29	
Operating Temperature	0 - 50°C	
Storage Temperature	-20 - 60°C	
Humidity	10 – 90%	



Copyright 2007, Avenview® Inc. All rights reserved.
Features, availability and specifications are subject to change without notice.

The logo for Avenview Inc. features the word "Avenview" in a bold, dark blue, sans-serif font. A small red square icon with a white crosshair is positioned above the letter 'v'. The entire logo is contained within a white rectangular box with a slight drop shadow and a red horizontal line at the bottom.

Avenview

Avenview Inc.
info@avenview.com
www.avenview.com