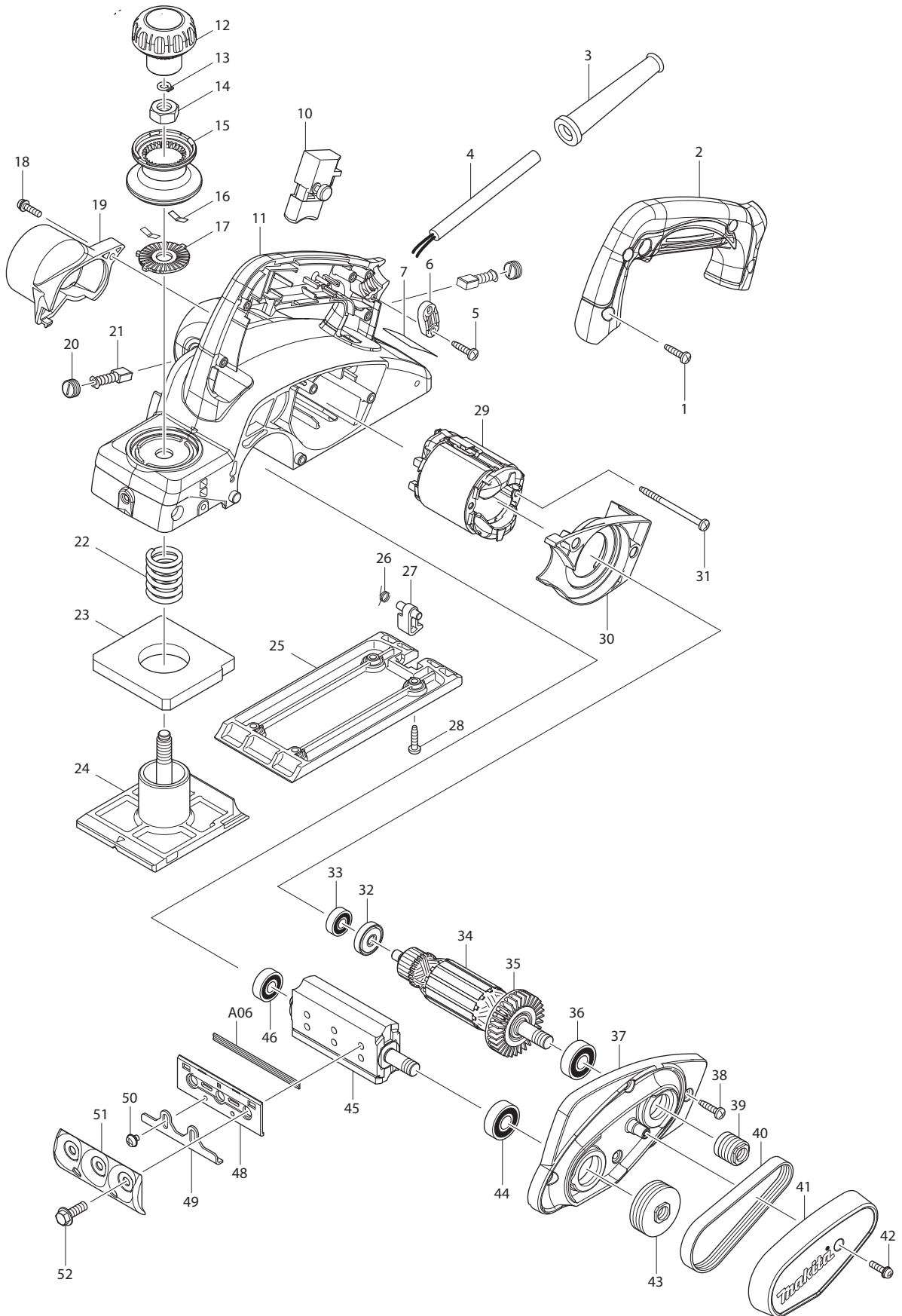




01 - 2012  
KP0800 / KP0800K / KP0800KX  
3-1/4" PLANER KIT



Item No.	Type	Sub	Part No.	Description	Qty	Unit
1			266326-2	TAPPING SCREW 4X18	4	PC.
2			451314-4	HANDLE COVER	1	PC.
3			682502-4	CORD GUARD 8-85	1	PC.
4			664064-4	CORD W/PLUG 2P-18-2.5, SJ	1	PC.
5			266326-2	TAPPING SCREW 4X18	2	PC.
6			687063-9	STRAIN RELIEF	1	PC.
7			867138-2	KP0800 NAME PLATE	1	PC.
10			650236-7	SWITCH SGEL115CDY-13	1	PC.
11			140198-2	MAIN FRAME COMPLETE	1	PC.
		INC.	643455-2	BRUSH HOLDER 6X9	2	PC.
		INC.	810581-4	CAUTION LABEL	1	PC.
12			451328-3	KNOB COVER	1	PC.
13			961004-6	RETAINING RING S-8	1	PC.
14			264028-4	HEX. NUT M10	1	PC.
15			451325-9	KNOB	1	PC.
16			232185-6	LEAF SPRING	2	PC.
17			346110-2	CAM PLATE	1	PC.
18			911128-8	PAN HEAD SCREW M4X16	1	PC.
19			451393-2	CHIP COVER	1	PC.
20			643550-8	BRUSH HOLDER CAP 5-8	2	PC.
21			195008-8	CARBON BRUSH CB-408 2PC/SET W/ ORIGIN	1	SET
22			231004-3	COMPRESSION SPRING 18	1	PC.
23			421007-7	RUBBER PACKING	1	PC.
24		1	318491-4	FRONT BASE	1	PC.
		2	319010-9	FRONT BASE	1	PC.
25		1	318499-8	BASE	1	PC.
		2	319009-4	BASE	1	PC.
26			231698-4	TORSION SPRING 7	1	PC.
27			451392-4	FOOT	1	PC.
28			266326-2	TAPPING SCREW 4X18	4	PC.
29			590025-7	FIELD ASS'Y 115V	1	PC.
		INC.	654100-4	RING TERMINAL	2	PC.
		INC.	654555-3	CONNECTOR 34130	2	PC.
30			451327-5	BAFFLE PLATE	1	PC.
31			266052-3	TAPPING SCREW 4X60	2	PC.
32			681652-2	INSULATION WASHER	1	PC.
33			210017-7	BALL BEARING 607DDW	1	PC.
34			515791-5	ARMATURE ASS'Y 115V	1	PC.
		INC.		Item No. 32, 33, 35, 36		
35			240052-1	FAN 46	1	PC.
36			211088-7	BALL BEARING 6000DDW	1	PC.
37			140201-9	BRACKET COMPLETE	1	PC.
		INC.	263002-9	RUBBER PIN 4	2	PC.
38			266326-2	TAPPING SCREW 4X18	4	PC.
39		1	222163-4	V PULLEY 4-20L (TYPE1)	1	PC.
		2	222125-2	V PULLEY 4-20L (TYPE2)	1	PC.
40			225007-7	POLY V-BELT 4-241	1	PC.
41			451326-7	BELT COVER	1	PC.
42			911128-8	PAN HEAD SCREW M4X16	1	PC.
43		1	222164-2	V PULLEY 4-37 (TYPE1)	1	PC.
		2	222126-0	V PULLEY 4-37 (TYPE2)	1	PC.
44			211088-7	BALL BEARING 6000DDW	1	PC.
45			161061-6	DRUM	1	PC.
46			211032-4	BALL BEARING 608ZZ	1	PC.
48			343433-9	SET PLATE F/MINI BLADE	2	PC.
49			345644-2	ADJUST PLATE	2	PC.
50			265132-2	+ PAN HEAD SCREW M4X5	4	PC.

Item No.	Type	Sub	Part No.	Description	Qty	Unit
51	1		345007-2	DRUM PLATE (2PCS/SET)	1	SET
	2		187679-5	DRUM PLATE (2PCS/SET)	1	SET
52			251609-3	HEX. FLANGE HEAD BOLT M6X17	6	PC.
100			652008-6	PAN HEAD SCREW M3.5X7(FOR SWITCH)	2	PC.
101			654117-7	INSULATING TERMINAL(FOR SWITCH)	2	PC.
102			654558-7	INSULATED CONNECTOR(FOR SWITCH)	1	PC.
200			265785-7	THUMB SCREW M5X10(FOR GUIDE RULE)	1	PC.
300			870443-8	CARTON	1	PC.
400			193540-6	SET PLATE (FOR MINI PLANER BLADE) 2PC/SET	1	SET

### **ACCESSORIES**

A01			123010-1	BLADE GAUGE ASS'Y	1	PC.
		INC.	911228-4	PAN HEAD SCREW M5X18	2	PC.
		INC.	411086-3	GAUGE PLATE	1	PC.
A02			782209-3	SOCKET WRENCH 9	1	PC.
A03			165581-2	GUIDE RULE	1	PC.
			265785-7	THUMB SCREW M5X10(FOR A03)	1	PC.
A05			824892-1	PLASTIC CARRYING CASE	1	PC.
		INC.	163455-1	LATCH	2	PC.
		INC.	419360-3	HANDLE	1	PC.
A06			D-16966	82MM TCT MINI PLANER BLADE 35 DEGREE	1	SET
			793322-2	3-1/4" MINI PLANER BLADE 50 DEGREE	1	SET
			A-82921	3-1/4" MINI PLANER BLADE 65 DEGREE	1	SET
			D-17239	SET PLATE&MINI BLADE SET	1	SET
A07			122793-0	DUST BAG ASS'Y (use with #451329-1 Nozzle)	1	PC.
		INC.	410602-8	FASTENER	1	PC.
A08			123004-6	SHARPENING HOLDER ASS'Y	1	PC.
		INC.	251920-3	CAP SQUARE NECK BOLT M6X30	2	PC.
		INC.	341003-8	PRESSURE PLATE	1	PC.
		INC.	934301-3	WING NUT M6	2	PC.
A09			123060-6	GUIDE RULE ASS'Y	1	PC.
		INC.	923211-9	CAP SQUARE NECK BOLT M5X12	2	PC.
		INC.	911221-8	PAN HEAD SCREW M5X16	2	PC.
		INC.	934201-7	WING NUT M5	2	PC.
A10			191725-8	EXTENSION GUIDE SET	1	SET
		INC.	911201-4	PAN HEAD SCREW M5X8	2	PC.
		INC.	252045-6	SQUARE NUT M5	2	PC.
A11			193540-6	SET PLATE 82 SET	1	SET
A12			416368-8	ELBOW	1	PC.
A13			451329-1	NOZZLE	1	PC.
A14			794061-7	DRESSING STONE 150-1200	1	PC.