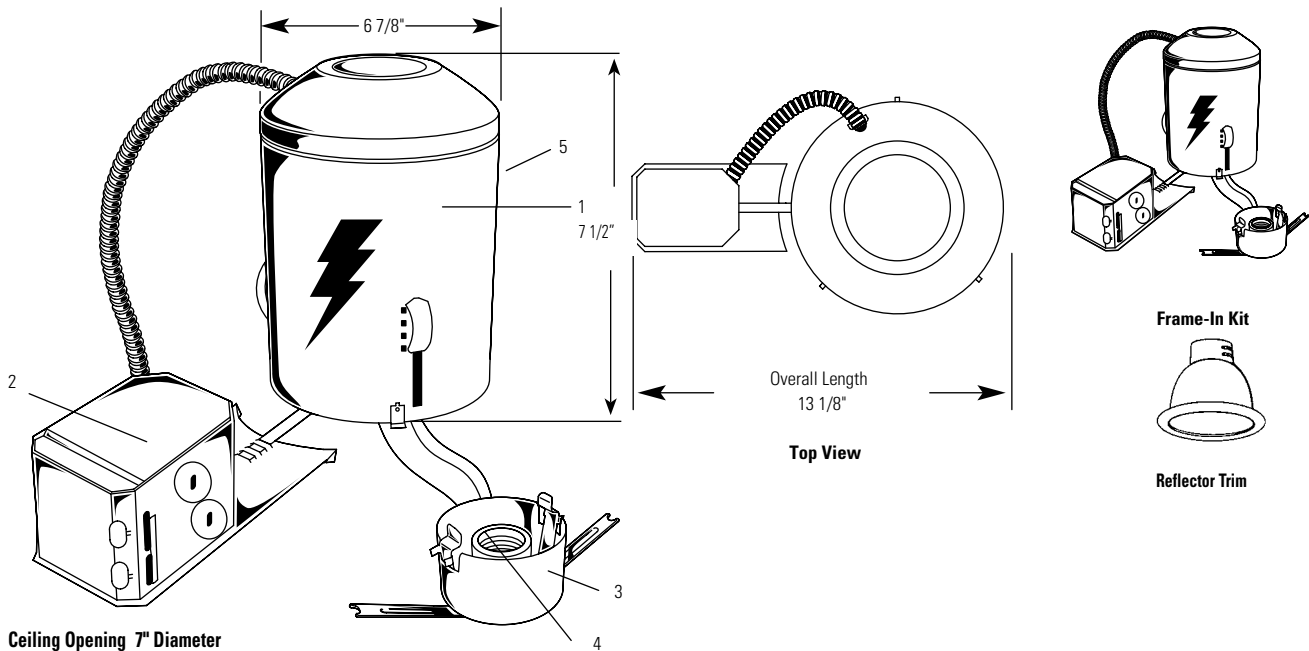


Lytecaster® Recessed Downlighting 1104ICR

Page 1 of 1

6 3/4" Aperture **Lyte™** Incandescent Convertible IC/Non-IC Remodeler Frame-In Kit



Complete Fixture consists of Reflector Trim & Frame In Kit. Select each separately

Frame-In Kit	Reflector Trims — See Individual Reflector Trim Specification Sheets								
1104ICR	Open Downlight						Eyeball	Enclosed Diffusers	Wall Washer
	Specular Reflector	Specular Cone	Satin Cone	Cross Blade	Baffles	Basic White			
	1143 1144 1144CD	1112† 1113† 1113BK† 1113CD† 1113WH†	1108† 1110†	1132 1132A	1105† 1105WH 1176 1176WH 1176PB 1179M1 1179WH 1105BNM	1170M1 1171	1182	1121 1124 1126* 1128* 1134* 1177SH* 1178SH* 1177LX 1178LX 1190 Open Wet	1185* 1186* 1186WH*
								1181WH 1181CD	

†Add NM to catalog number for Natural Metal flange and finish.

* For Non-IC applications only.

Features

- Housing:** .032 (#20 ga.) Aluminum. U.L. listed convertible IC/NON-IC. Integral retaining spring secures housing to ceilings up to 2" thick. Removable for access to junction box and ceiling plenum.
- Junction Box:** 2 1/2" X 2 1/2" X 3 1/2" (21 cu. in.) .032 (#22 ga.) galvanized steel. U.L. listed for 90°C supply wire. Integral cable clamps permit attachment of non-metallic (#12 or #14 ga.) Romex® cable without tools or additional connectors.
- Socket Housing:** Impact extruded aluminum or galvanized steel. Attached trim retaining spring secures trim to any height on housing wall.
- Socket:** Porcelain medium base; nickel plated screw shell. Pre-wired with #18 ga. SF1 (300 VOLT 200°C) leads to junction box.
- Thermal protector:** Meets NEC and U.L. requirements. Located inside housing.

Options & Accessories

AirSeal® Kit: LAS56R
(Required for AirSeal® installation)

Romex® is a registered trademark of General Cable Industries Inc.
US and Foreign Patents Pending.

Job Information	Type:
Job Name:	
Cat. No.:	
Lamp(s):	
Notes:	

Lightolier a Genlyte company www.lightolier.com
631 Airport Road, Fall River, MA 02720 • (508) 679-8131 • Fax (508) 674-4710
We reserve the right to change details of design, materials and finish.
© 2006 Genlyte Group LLC • H0906

LIGHTOLIER®