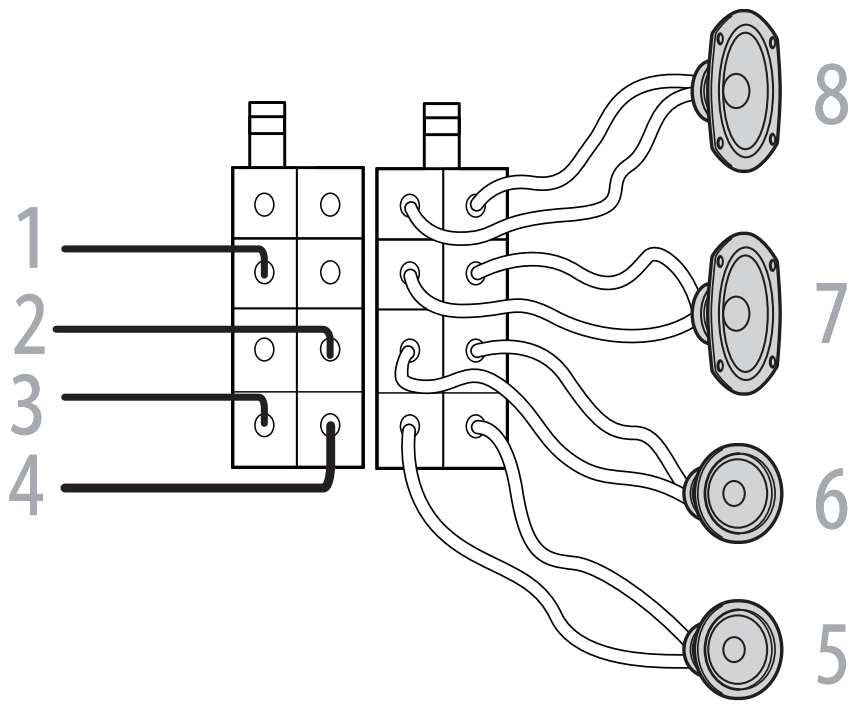


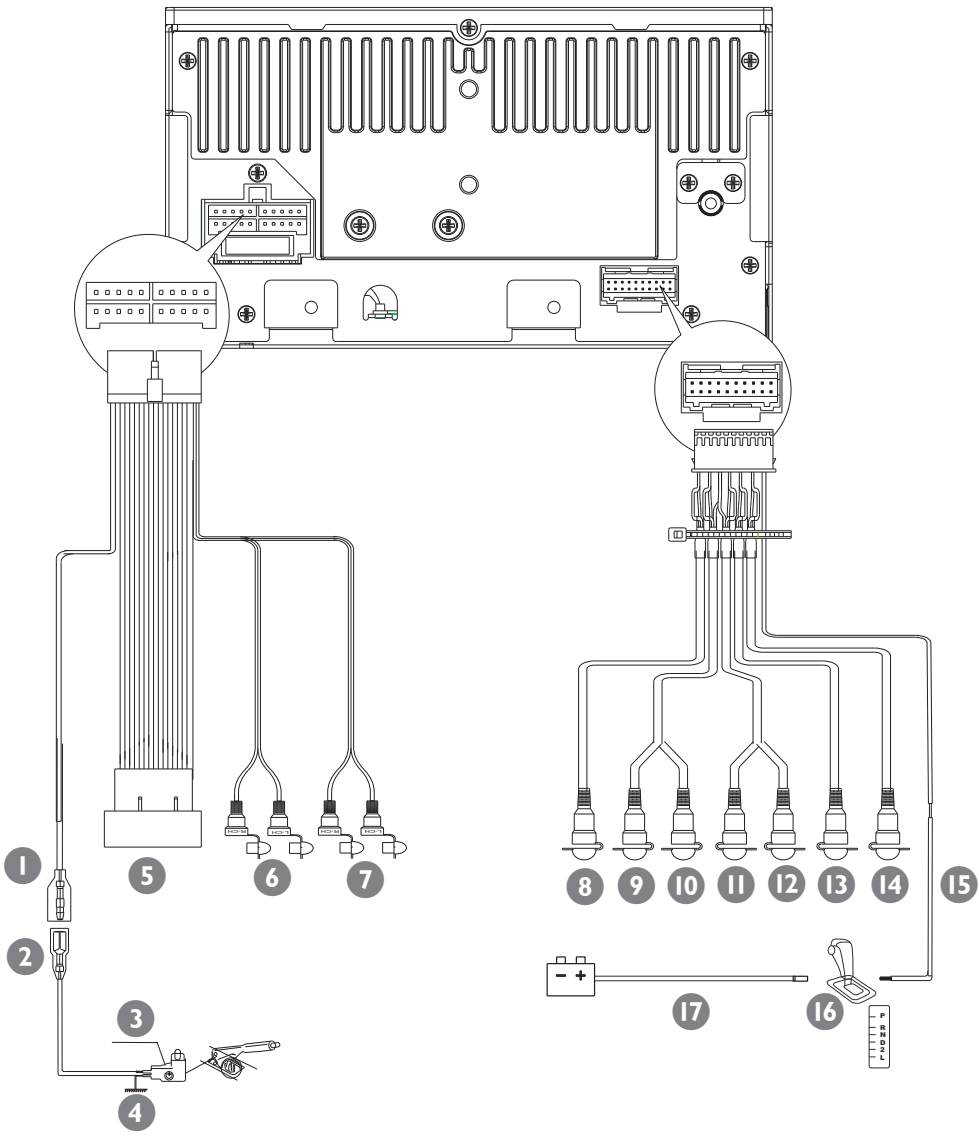


1

a

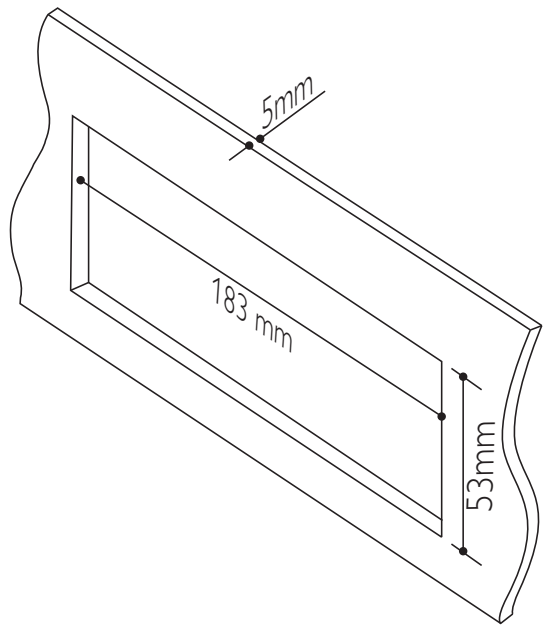


b

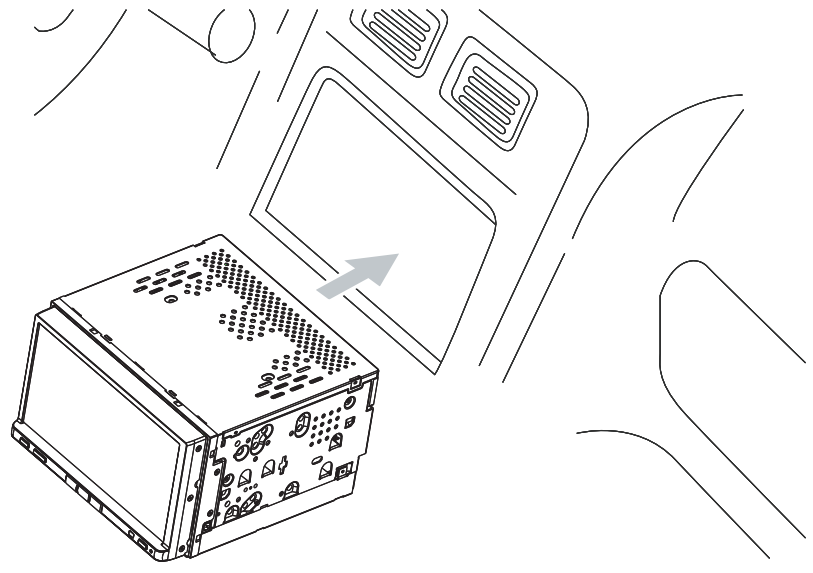


2

a

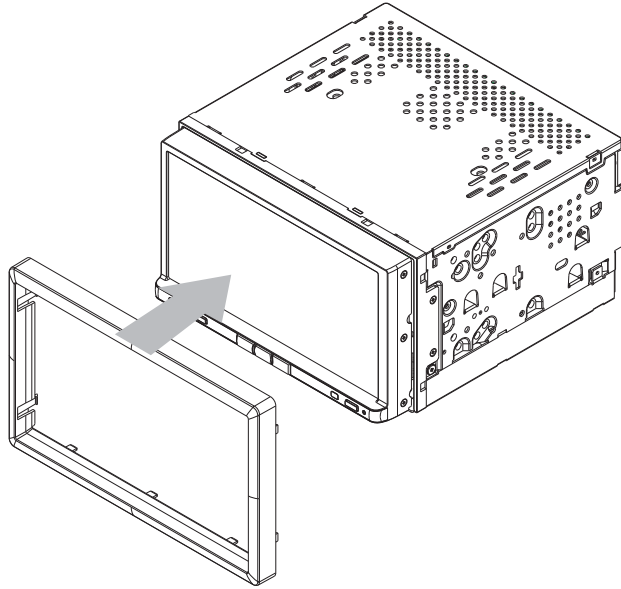


b

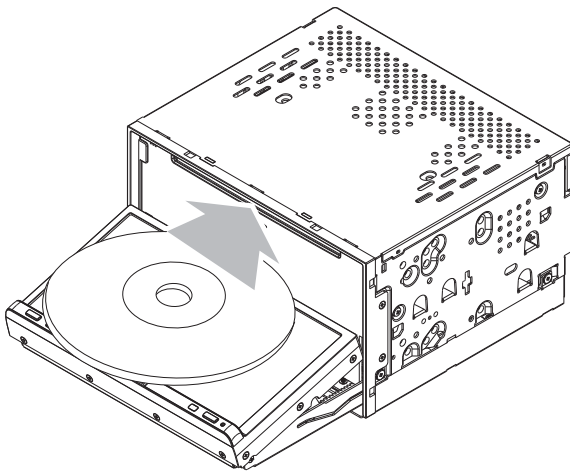


2

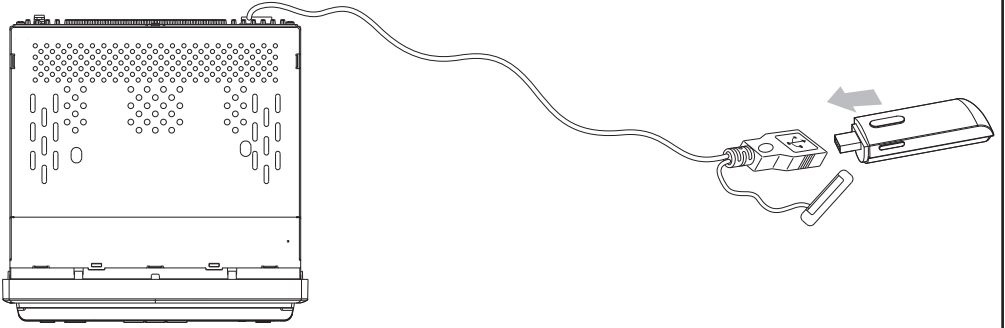
C



3



4



Install the car audio

These instructions are for a typical installation. However, if your car has different requirements, make the corresponding adjustment. If you have any questions regarding installation kits, consult your Philips car audio dealer.

Connect wires 1

- 1 Check the car's wiring carefully, then connect them to the supplied ISO wires. **a**

Connector	Connect to
1 Yellow wire	The +12V car battery which is live at all times.
2 Blue wire	The electric antenna control lead or power supply lead of the antenna booster If there is no electric antenna or antenna booster, or it is manually operated telescopic antenna, it is not necessary to connect this lead.
3 Black wire	A metal surface of the car First connect the black ground (earth) lead, then connect the yellow and red power supply leads.
4 Red wire	The +12V power terminal which is live in the accessory (ACC) position of the ignition switch If there is no accessory position, connect to the +12V car battery terminal that is always live. Be sure to connect the black ground (earth) lead to a metal surface of the car first.
5 Green and green/black wires	Left speaker (Rear)
6 White and white/black wires	Left speaker (Front)
7 Gray and gray/black wires	Right speaker (Front)

- | | |
|---------------------------------|-----------------------------|
| 8 Purple and purple/black wires | Right speaker (Rear) |
|---------------------------------|-----------------------------|

- 2 Connect the other end of the supplied standard connector to the car audio system. **b**

Connector/ Obeject	Connect to/with
1 Pink wire	Extension wire
2 2.5m extension wire(Not included)	Parking brake (-)
3 Brake switch	
4 Ground	
5 ISO wires	Connected in step 1 above.
6 Grey wire	Rear line out Left/ Right
7 Black wire	Front line out Left/ Right
8 Blue cable	Subwoofer
9 Red cable	Aux Right
10 White cable	Aux Left
11 Yellow cable	Video in
12 Yellow cable	Camera in
13 Yellow cable	Video out 1
14 Yellow cable	Video out 2
15 Purple wire	Reverse camera (B+)
16 Gearbox switch	
17 Reverse gear signal	Back lamp lead +

Mount in the dashboard 2

- 1 If the car does not have an on-board drive or navigation computer, disconnect the negative terminal of the car battery.
- 2 Ensure that car dashboard opening is within these measurements: **a**
- 3 Slide the unit into the dashboard until a click sound is heard. **b**
- 4 Attach the trim plate. **c**
- 5 Reconnect the negative terminal of the car battery.

Turn on

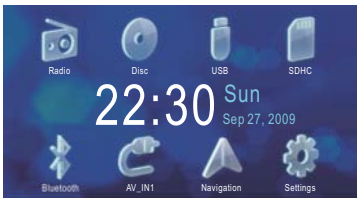
- 1 Press **⏻** to turn on the unit.



- 2 Touch a language to select.
 - To adjust screen brightness, press **DIMMER** on the remote control, then press **▲** or **▼**.
 - To turn off the unit, press and hold **⏻** for 3 seconds.

Set date and time

- 1 Touch **⬆** to display main menu.



- 2 Touch **[Settings]**.
- 3 Touch **▼** to access 2nd page.
- 4 Touch **[Date]**.



- 5 Touch year digit to highlight this digit.
- 6 Touch **◀▶** to set year.
- 7 Repeat step 5 and 6 to set month and day.

Set Time

- 1 Touch **[Set time]**.
- 2 Touch hour/minute digit to highlight the digit.
- 3 Touch **◀▶** to set hour/minute.

Set time format

- 1 Touch **[Clock Mode]** repeatedly to toggle between **[12Hr]** and **[24Hr]** options.

Listen to Radio

- 1 Touch **⬆** to display home menu.
- 2 Touch **[Radio]**.



- 3 Touch on **FM** or **AM** repeatedly on the left of the screen to select band:
- 4 Briefly touch **◀** or **▶** to tune to a radio station by step.
 - Touch **◀** or **▶** for over 1 seconds to tune to a radio station automatically.

Play disc **3**

You can play video, audio or images stored on the following discs:

- DVD video, DVD-R, DVD-RW
- VCD
- Audio CD, CD-R, CD-RW

- 1 Insert the disc into the disc slot with label side facing up.

Countries where you bought the unit	Supported DVD region code
China	

Asia Pacific, Taiwan,
Korea



Latin America




Russia, India



Receive call

By default, all incoming calls are received automatically.

- 1 If there is incoming call, **[Incoming call...]** flashes on the screen. Speak into the Bluetooth microphone.
- 2 When conversation ends, tap  (red) to terminate the call.

Play USB device

Note

- Ensure that the device contains playable content.



- 1 Open the lid of USB socket.
- 2 Insert the USB to the USB socket.

Play with Bluetooth device

Pair the Bluetooth-enabled devices

- 1 Turn on the Bluetooth function on your device.
- 2 Search for other Bluetooth device with your device.
- 3 Select "CED1700" in the pairing list.
- 4 Enter default password "0000".

Make a call

- 1 Touch  on top of the screen.
- 2 Touch number icons directly to input phone number.
- 3 After the phone number entered, touch .

