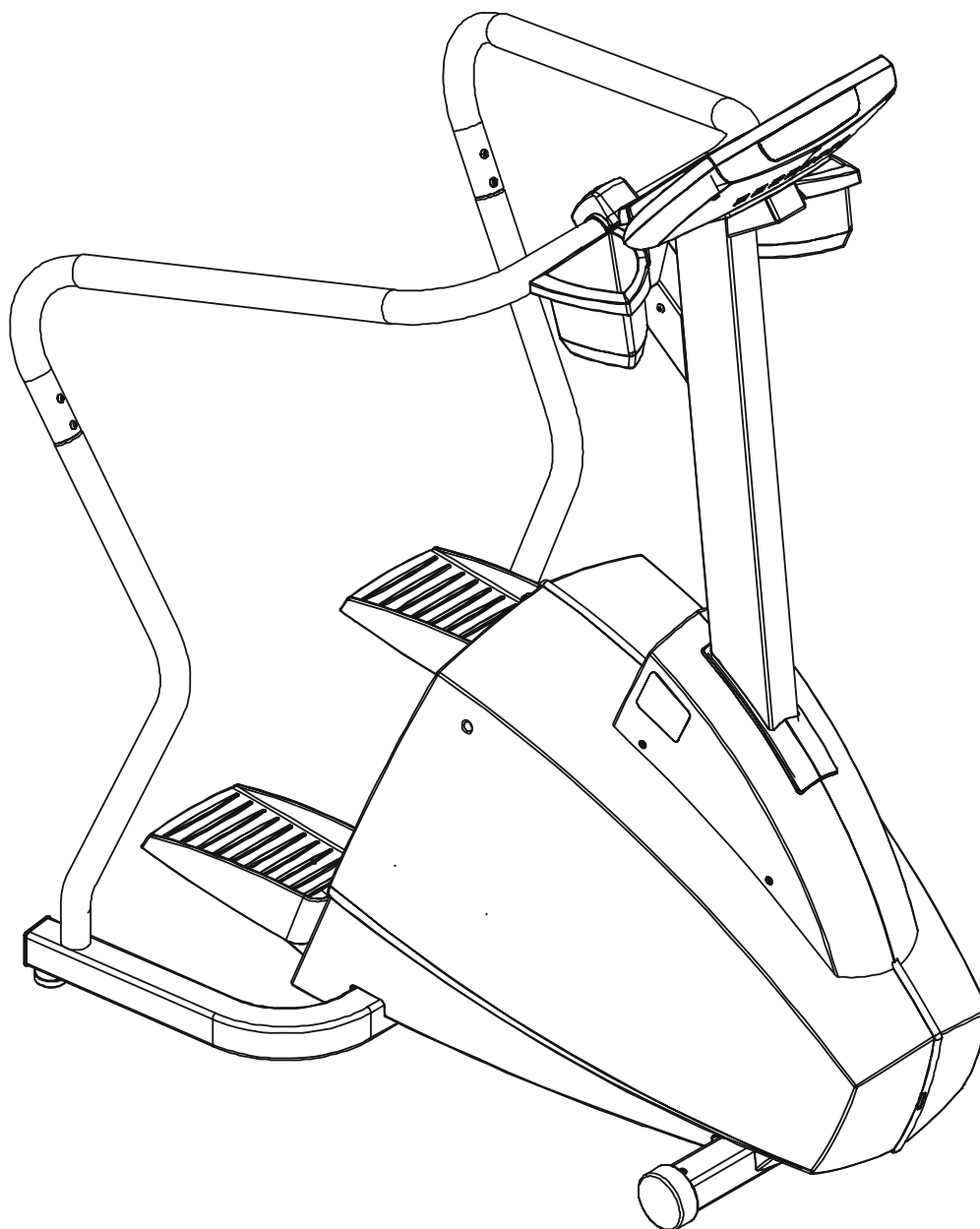


LifeFitness

ARCTIC SILVER 90SW Stairclimber



Customer Support Services
PARTS MANUAL revised 21 Mar 2008

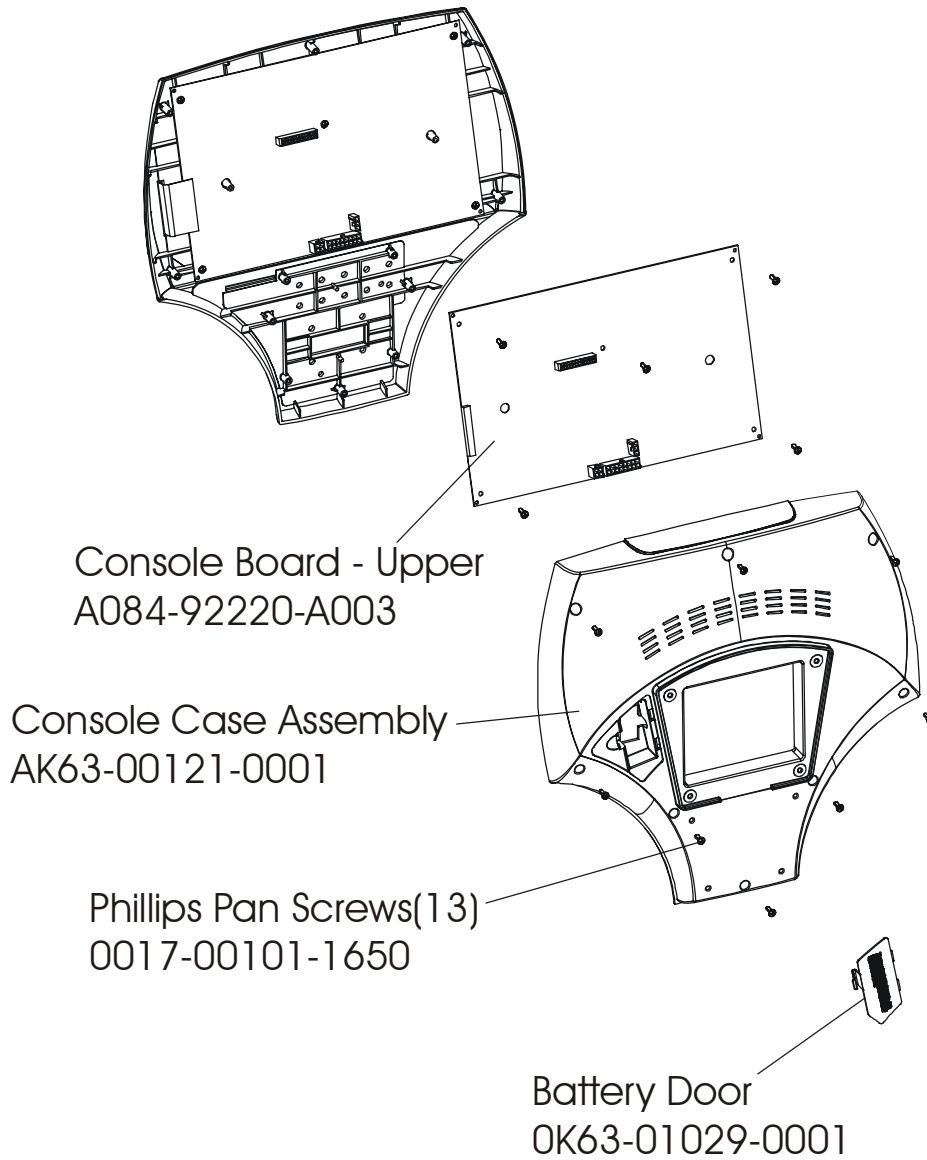
OPERATION MANUAL	M051-00K47-A076
ACCESS PANEL ASSEMBLY CONSISTS OF: 1) COAX CABLE 2) POWER EXT. CABLE 3) MOUNTING PLATE 4) F TYPE CONNECTOR	AK32-00020-0002 AK32-00078-0001 0K47-01197-0001 0017-0021-2846
OPTIONAL TELEMETRY KIT	GK47-00002-0003
HARDWARE BAG	AK47-00108-0000
TOUCH UP PAINT: SPRAY CAN .5 OZ BOTTLE W/APPLICATOR .33 OZ PEN	0017-00008-0204 0017-00008-0205 0017-00008-0206
SERVICE MANUAL	M051-00K47-A013

**NOTE: ADDING THE LCD BOLT-ON SCREEN TO
THE 90SW-0XXX-02 MAKES IT A 90SER-0XXX-02.**

	Page
CONSOLE COMPONENTS	4
FRAME COMPONENTS.....	5
SHROUDS AND PEDAL TUBE	6
PEDAL ASSEMBLY.....	7
CLUTCH,SHAFT/PULLEY ASSEMBLY	8
LEFT CLUTCH ASSEMBLY	9
CROSSOVER PULLEY ASSEMBLY	10
ALTERNATOR ASSEMBLY.....	11
GUIDE ROLLERS	12
POWER CONTROL BOARD & RESISTORS	13
POLAR RECEIVER CAP	14
CABLES.....	15

ARCTIC SILVER 90SW
Console Components

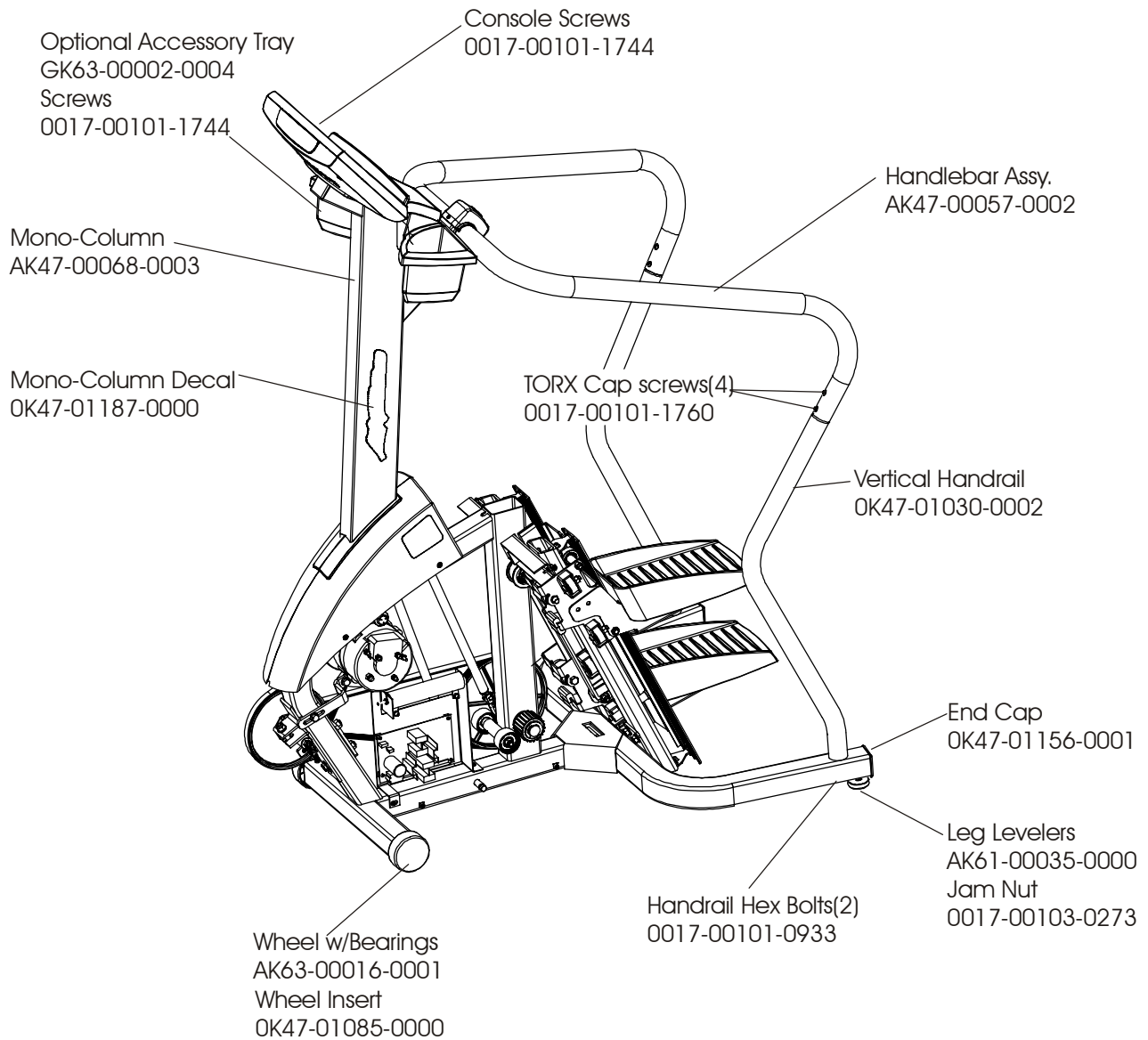
90SW-0XXX-02
S/N AWA100000 and UP



Console Assembly	Overlay/Bezel/Switch Assy.
AK47-00096-0001 Eng Met	AK47-00100-0001 Eng Met
AK47-00096-0003 Ger Met	AK47-00100-0003 Ger Met
AK47-00096-0004 Spn Met	AK47-00100-0004 Spn Met
AK47-00096-0006 Jap Met	AK47-00100-0006 Jap Met
AK47-00096-0007 Frn Met	AK47-00100-0007 Frn Met
AK47-00096-0008 Itl Met	AK47-00100-0008 Itl Met
AK47-00096-0009 Dut Met	AK47-00100-0009 Dut Met
AK47-00096-0010 Por Met	AK47-00100-0010 Por Met

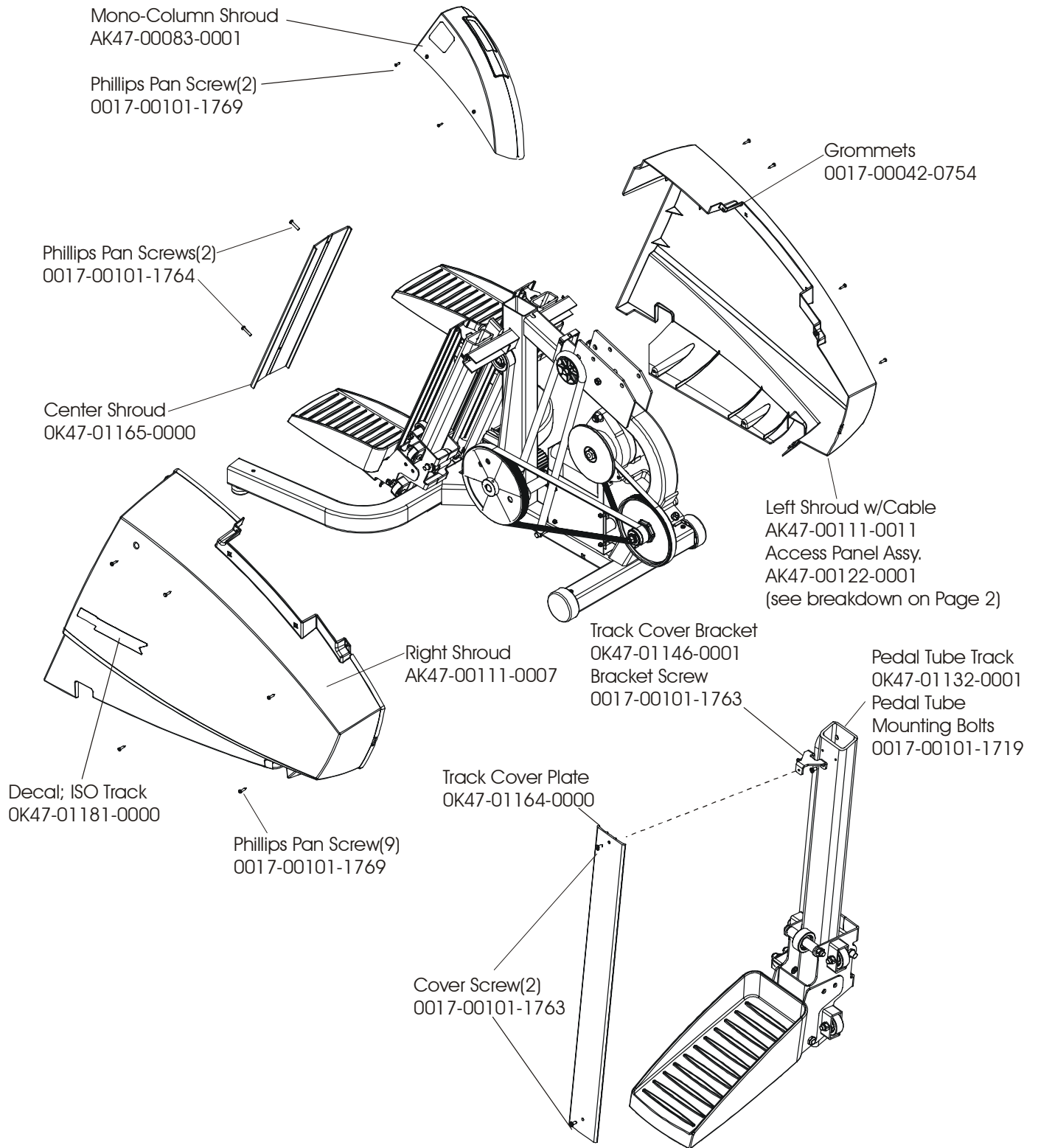
ARCTIC SILVER 90SW
Frame Components

90SW0XXX-02
S/N AWA100000 and UP



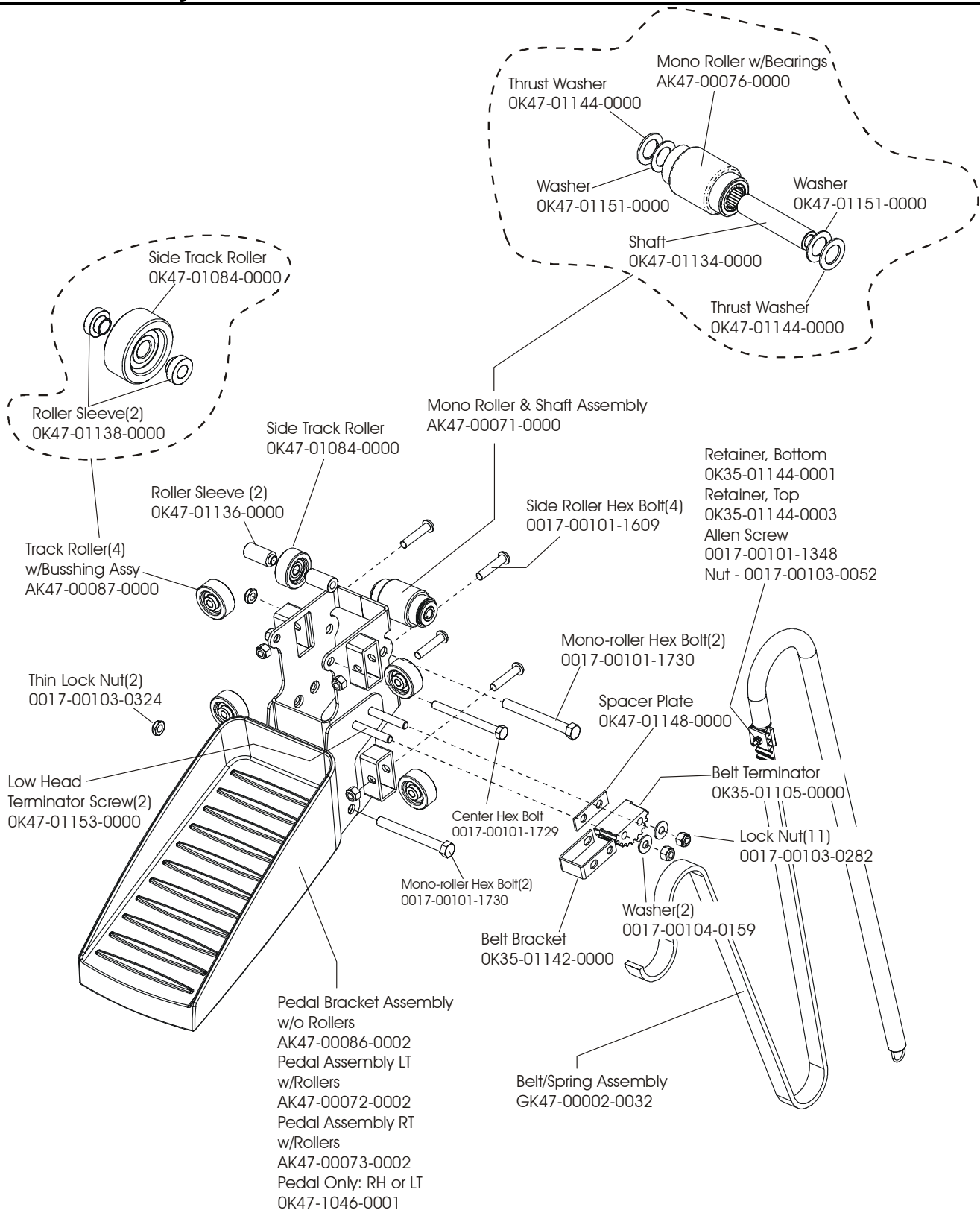
ARCTIC SILVER 90SW
Shrouds and Pedal Tube

90SW-0XXX-02
S/N AWA100000 and UP



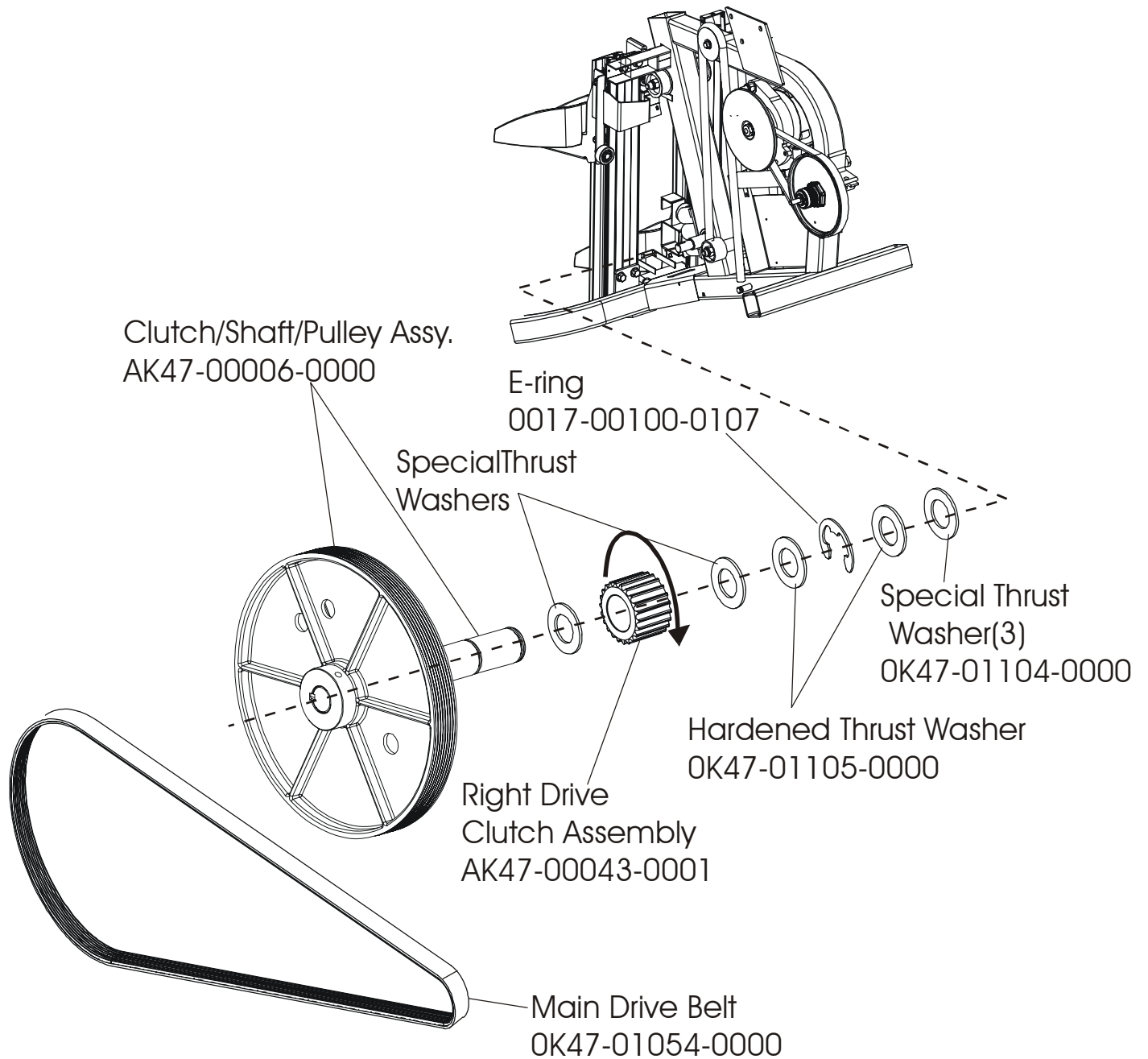
ARCTIC SILVER 90SW
Pedal assembly

90SW-0XXX-02
S/N AWA100000 and UP



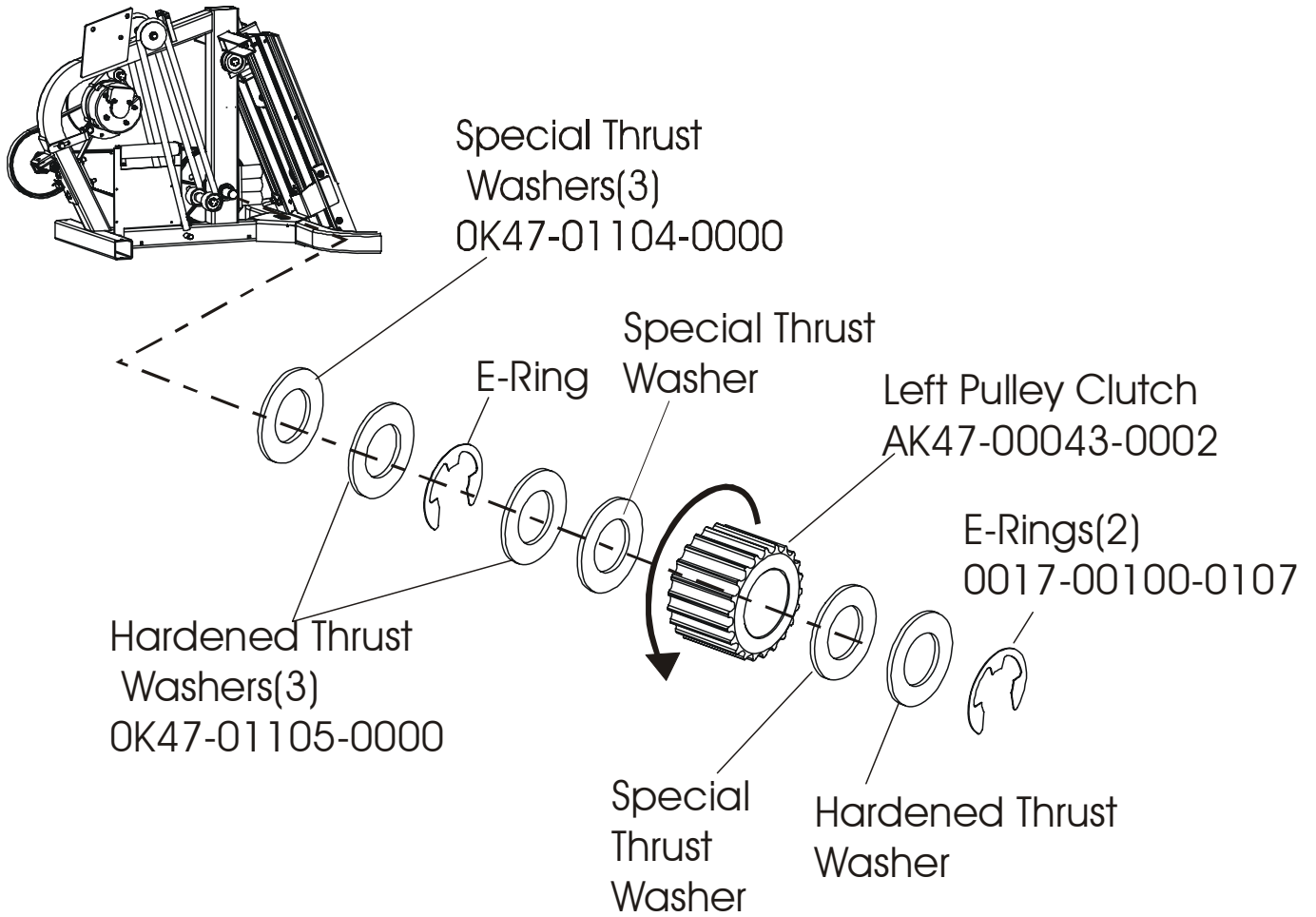
ARCTIC SILVER 90SW
Clutch/Shaft/Pulley Assembly

90SW-0XXX-02
S/N AWA100000 and UP



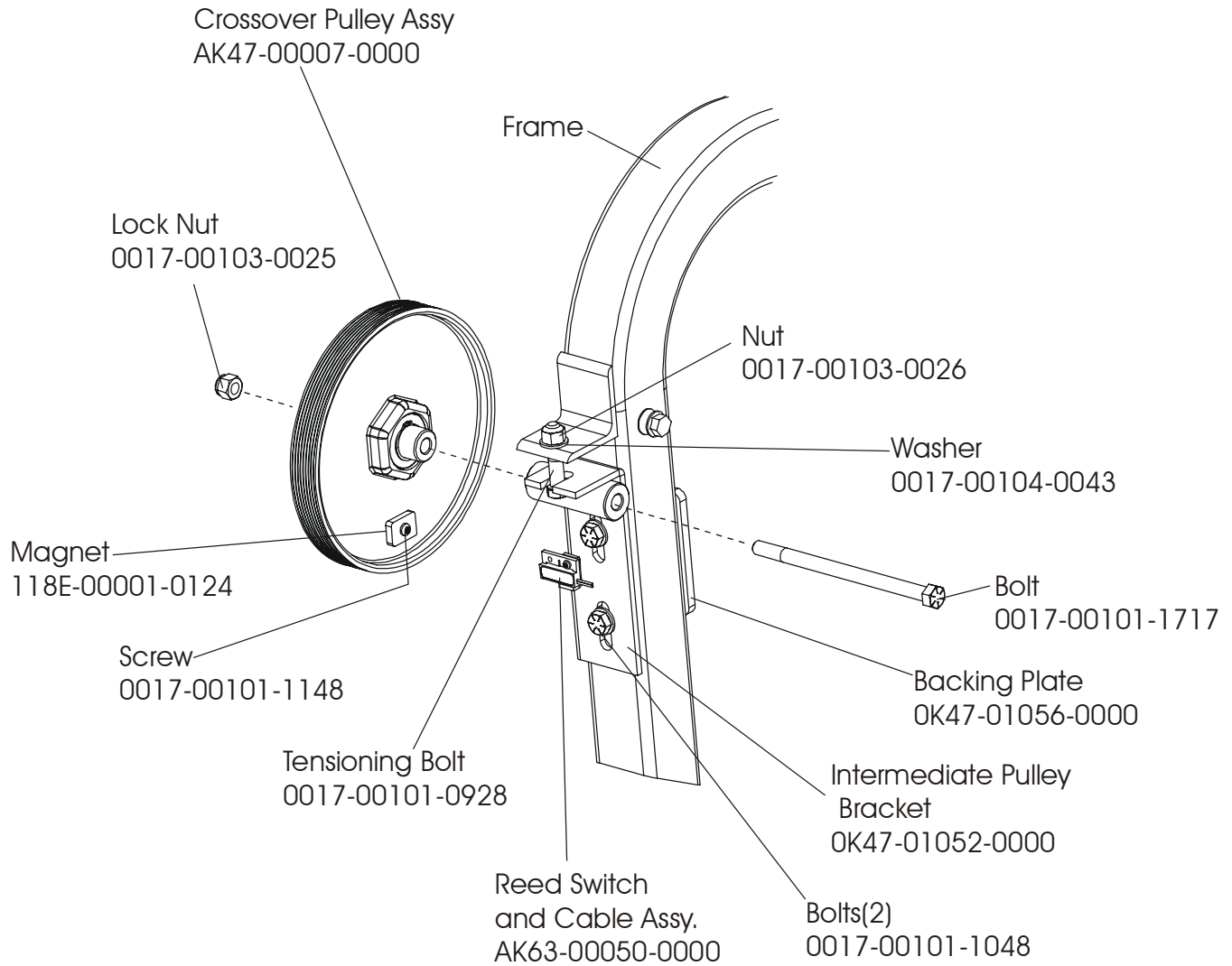
ARCTIC SILVER 90SW
Left Clutch Assembly

90SW-0XXX-02
S/N AWA100000 and UP



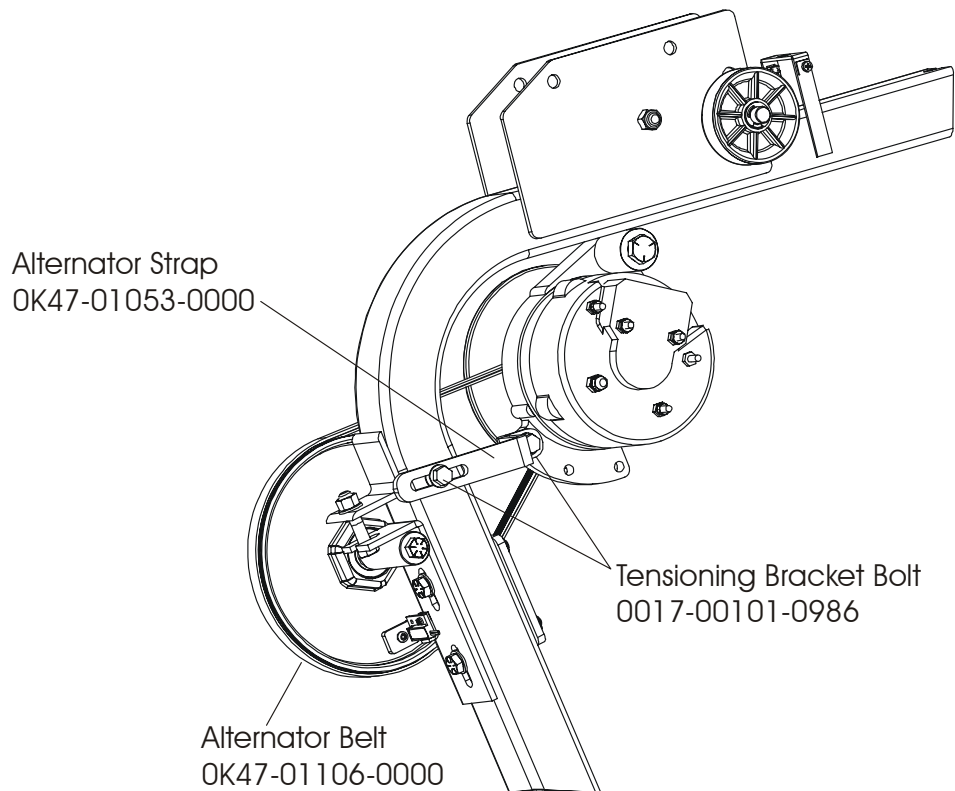
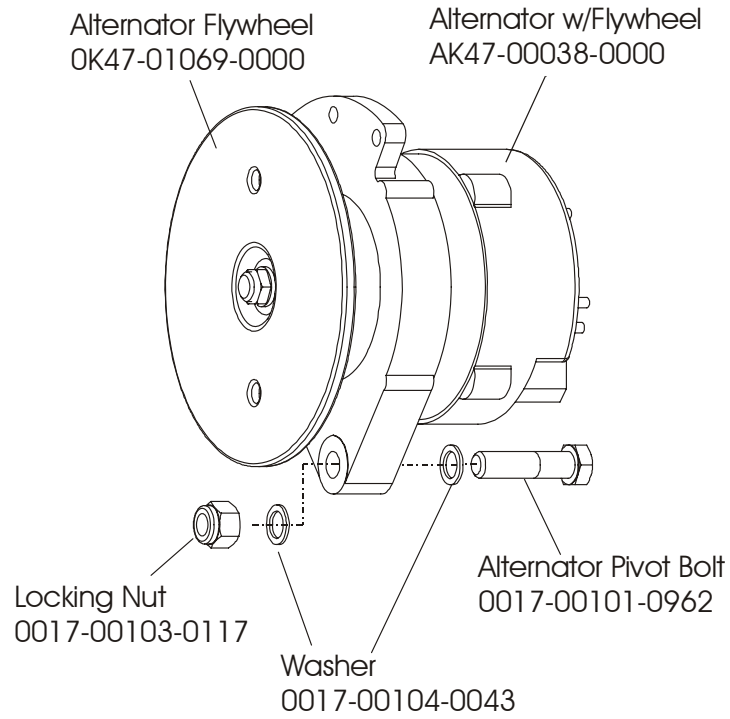
ARCTIC SILVER 90SW
Crossover Pulley Assembly

90SW-0XXX-02
S/N AWA100000 and UP



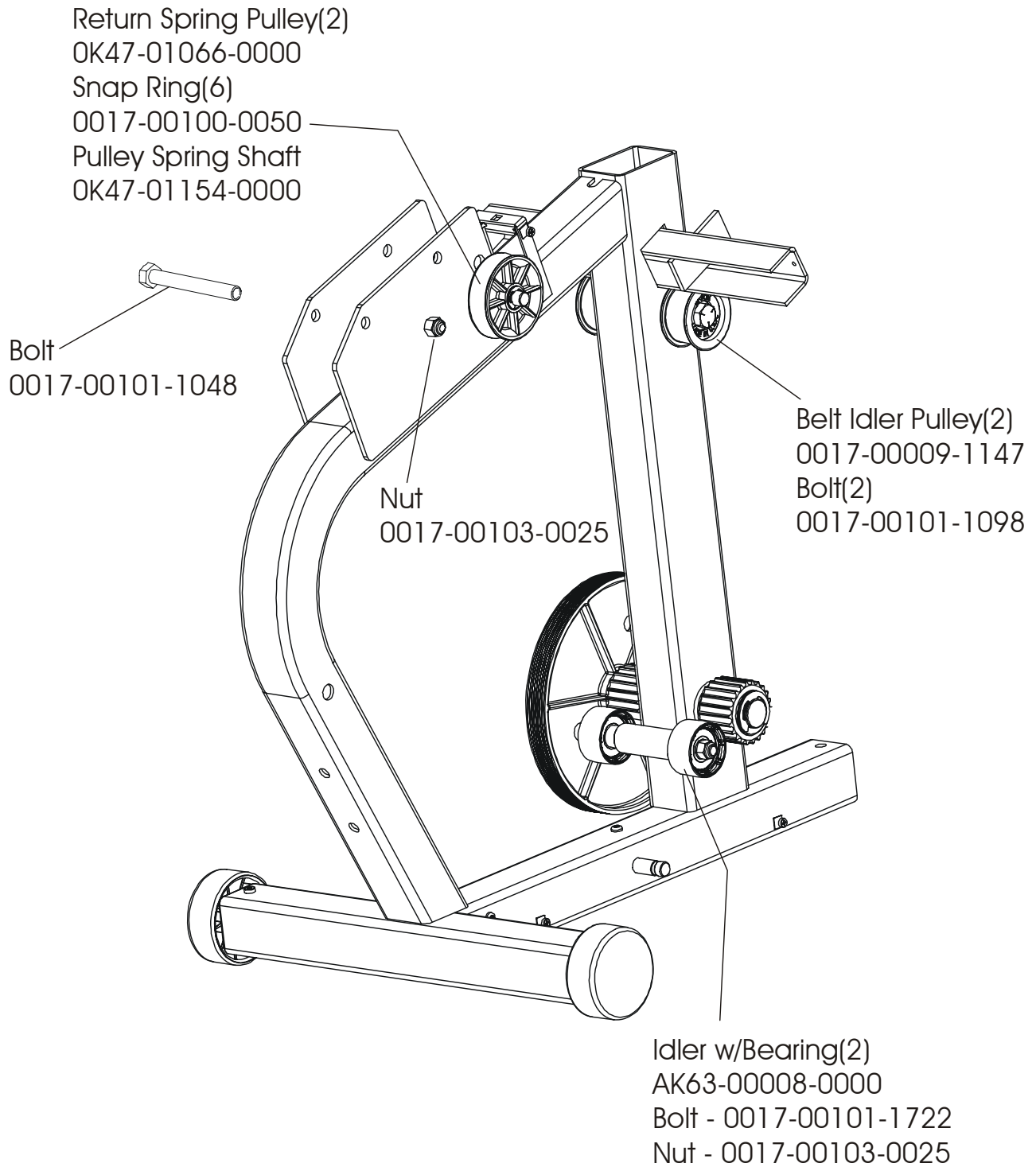
ARCTIC SILVER 90SW
Alternator Assembly

90SW-0XXX-02
S/N AWA100000 and UP



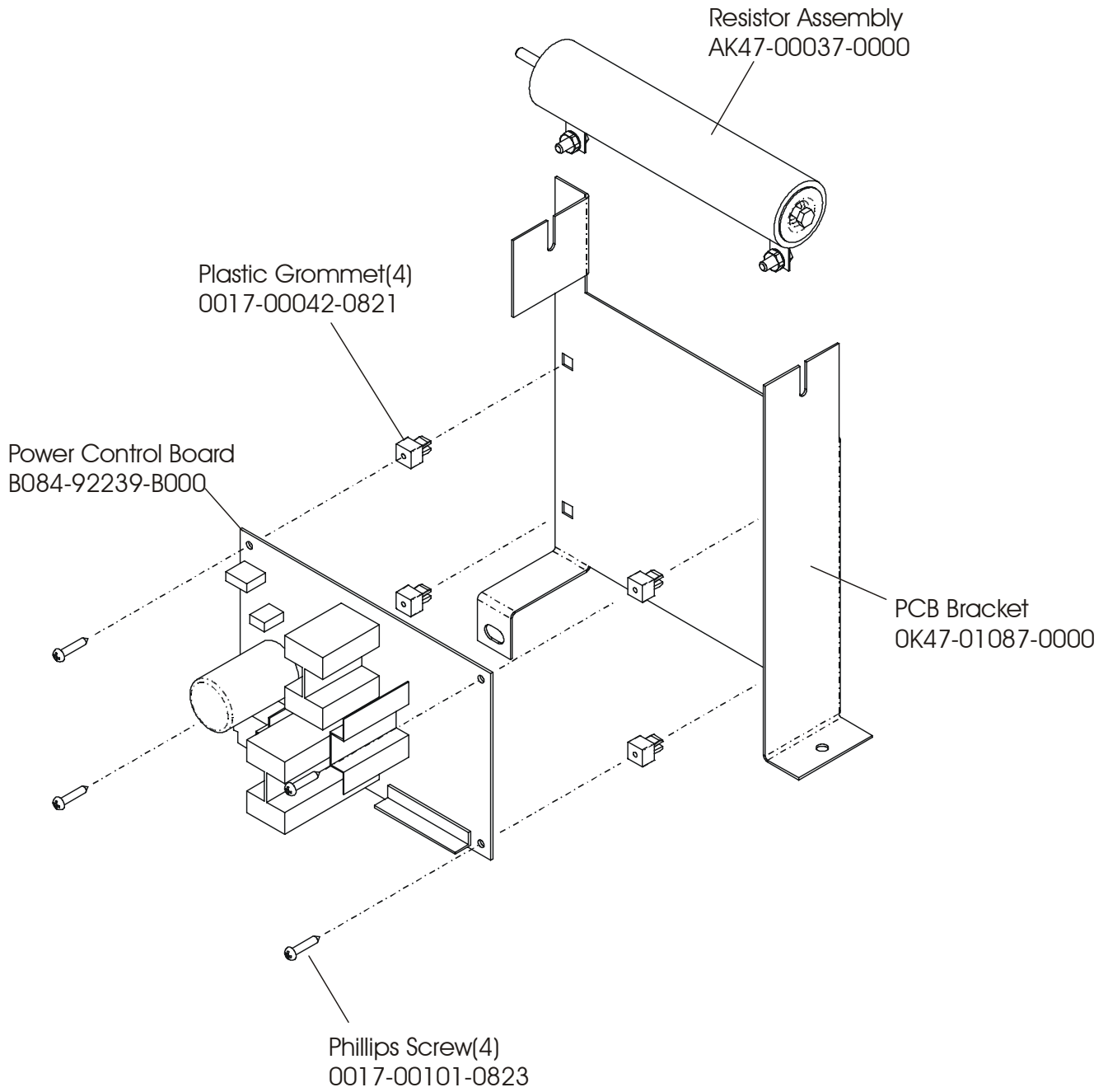
ARCTIC SILVER 90SW
Guide Rollers

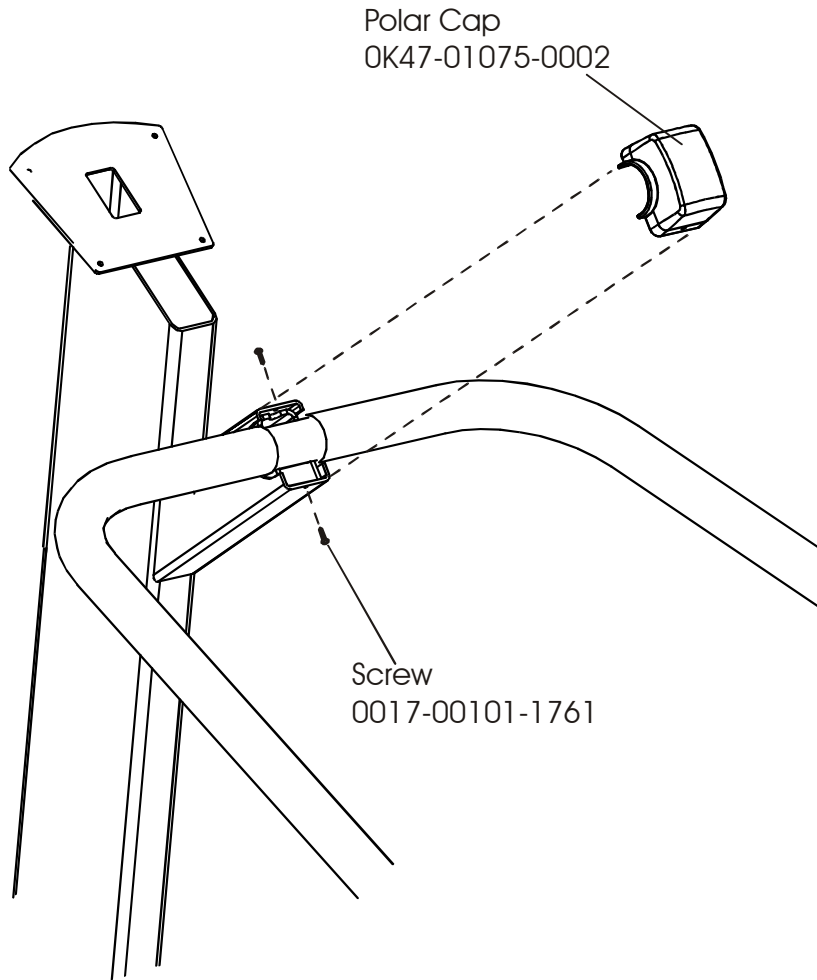
90SW-0XXX-02
S/N AWA100000 and UP



ARCTIC SILVER 90SW
Power Control Board & Resistor

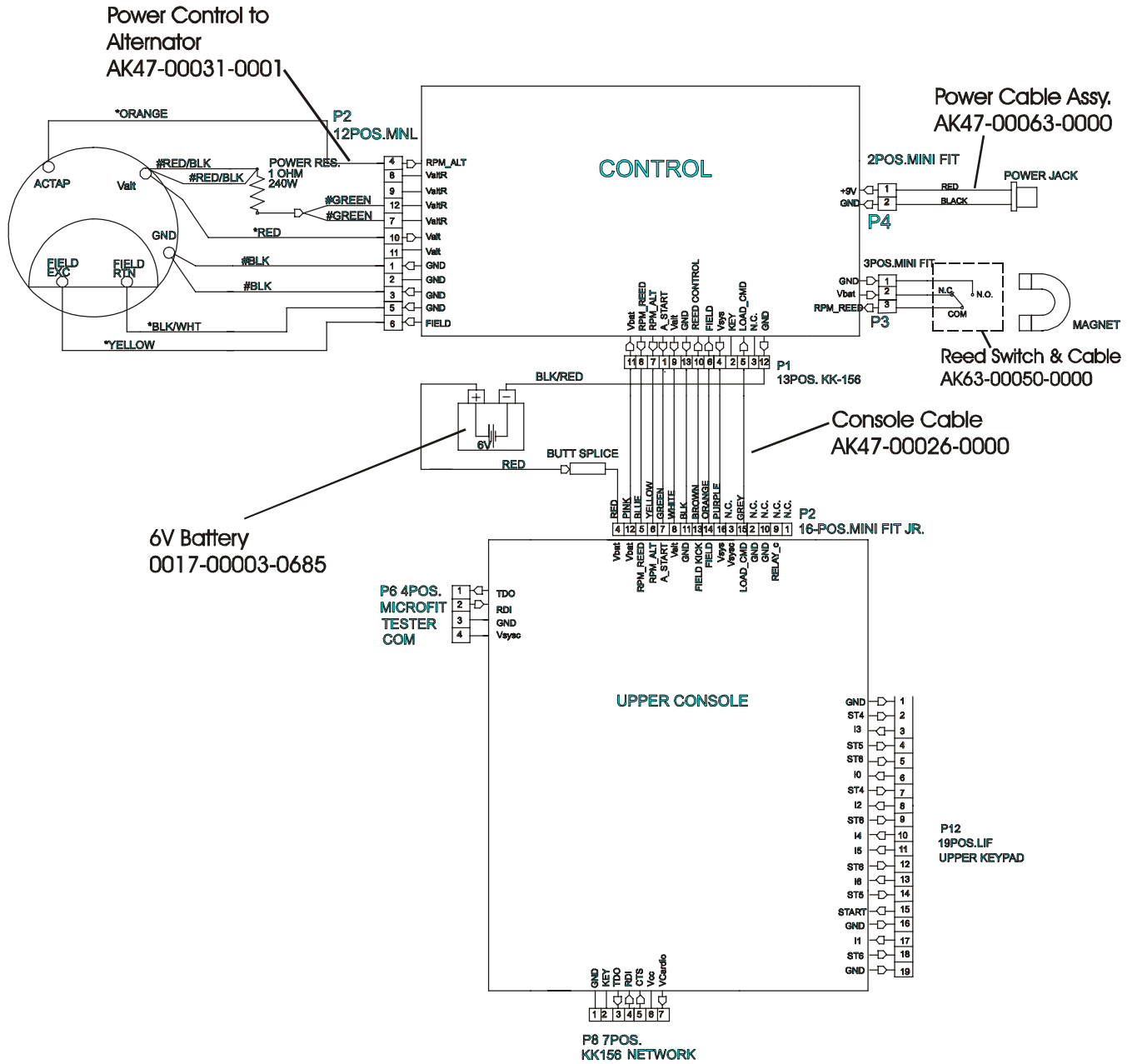
90SW-0XXX-02
S/N AWA100000 and UP





ARCTIC SILVER 90SW Cables

90SW-0XXX-02 S/N AWA10000 and UP



Description	Part Number
Domestic 120/60 Battery Charge w/Cord	118E-00001-0165
Universal Battery Charger w/o Line Cord	118E-00001-0166
Line Cord 220V/60Hz	0017-00003-0704
Line Cord 100V/50Hz	
Line Cord 240+	0017-00003-0918
Line Cord 220V/50Hz	0017-00003-0691
Line Cord 200V/50Hz	
Line Cord 230V/50Hz	