

## RVON-8

### 8-Port VoIP via Ethernet Card Kit for ADAM

Installed directly into the ADAM Intercom frame, the RVON-8 provides voice over IP (Internet Protocol) communications for the RTS ADAM intercom family. In general, voice over IP means sending voice information in digital form using discrete packets rather than the traditional telephone network. The RVON-8 delivers an integrated solution for connecting custom keypanels to the Intercom matrix over standard IP networks by supporting 8 channels (ports) of audio in and out.

The RVON-8 card supports all standard hot-swappable and configurable features through RTS' AZedit configuration software as well as support for remote keypanels and virtual keypanels via VoIP (Voice Over IP).

RVON-8 supports RTS Intelligent Trunking over IP. Trunking is a method of using relatively few audio paths for a large number of potential users. Because it is flexible, a trunked system can expand along with your business, to accommodate a growing number of users. RTS' Intelligent Trunking is a proven technology, which provides the same capabilities and ease of use for intercoms; seamless routing and path finding of communications between facilities regardless of distance; as does the long distance telephone system for phone calls. RVON-8 is fully compatible with internationally recognized standards and supports the following protocols: G.711, G.729 A & B, and G.723 (2 speeds).

## Features

### Installation

The RVON-8 card is hot-swappable and installs in any available slot in an ADAM Intercom System. It provides a single RJ-45 Ethernet connection for use with any 10/100 base network. It also has a DB-9 connection for an RS-232 or RS-485 pass-thru serial port.

### 8 Channels of Audio In and Out

Expands the connectivity of the ADAM intercom by supporting 8 channels (ports) in and out. Each channel has configurable network and bandwidth parameters that can be tailored to individual network functions, as well as ancillary data for keypanels and trunking control.

### Ethernet Compatible

Fully Ethernet capable. The RVON-8 card uses standard Ethernet protocols and is compatible with all Ethernet compliant devices and networks.

### AZedit Configurations

Users have the ability to adjust the audio parameters of each RVON-8 channel to optimize the available bandwidth on the network.

### Trunk Capable

The RVON-8 card supports ancillary data control for use with RTS Intelligent Trunking.

### Addressing

Eight individually addressable audio channels. The RVON-8 card can feed simultaneously VoIP (voice over internet protocol) capable keypanels as well as various other matrix intercom systems.

### Pass-Through Serial Port

Provides a virtual serial connection via an IP connection. Which, if used while trunking, may eliminate the need for multiple IP resources.

# RVON-8 Specifications

## Digital

Compression	Audio Bit Rate	Coding Delay	Playout Delay	IP Bandwidth
G.711	64k	125µs	20-60ms	160-224 kbps
G.729 A & B	8k	10ms	20-120ms	32-112 kbps
G.723	5.3k/6.3k	30ms	60-120ms	29-45 kbps

\*Data rate depends on codec selection

## Connections

RJ-45 Ethernet via backcard

DB-9 Serial Port via backcard

High-Density keyed ADAM Compatible Backplane Connector

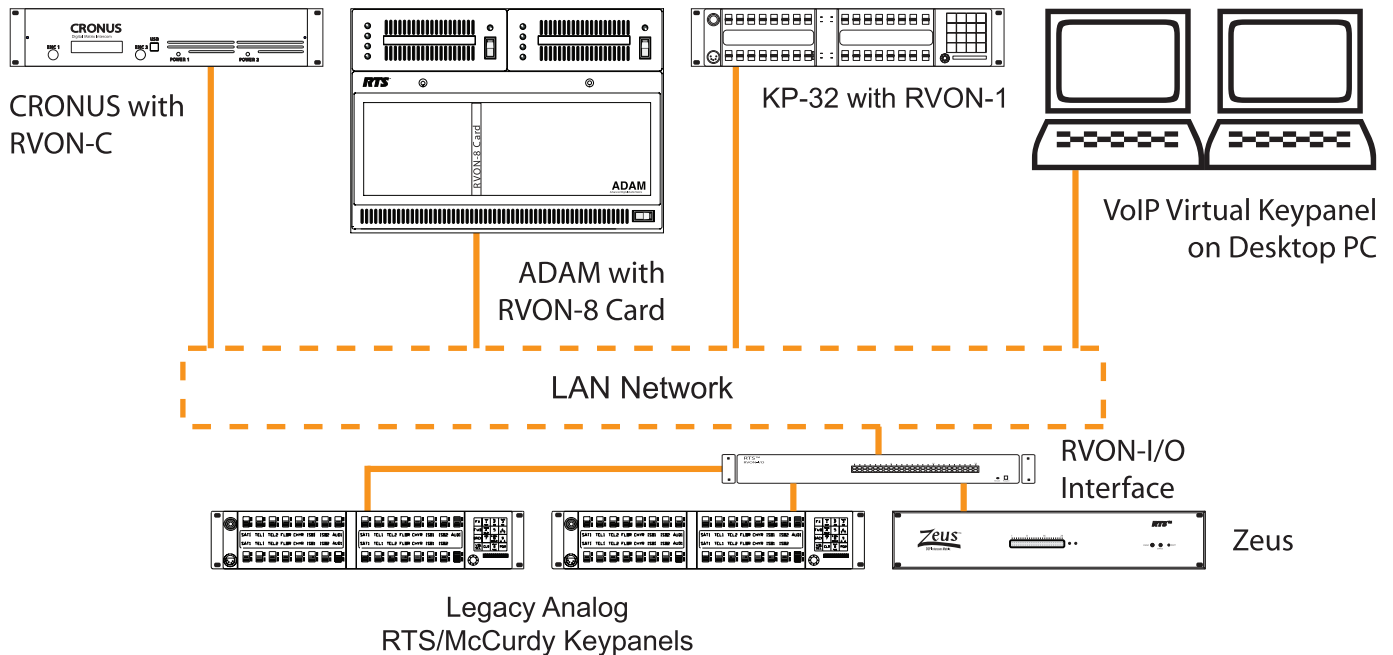
## Power

12.5 w/ 2.5 A at 5 V

## Physical

5.69" W x 11.02" L (144.53 mm W x 279.91 mm L)

## System Example



### Contact Information

Telex Communications, Inc.  
 12000 Portland Avenue South  
 Burnsville, Minnesota 55337  
 Telephone: 877-863-4169  
 Fax: 800-955-6831

Form Number: 38110-236  
 Date: April, 2006

### Ordering Information

**RVON-8**  
 8-Port VoIP via Ethernet card kit  
 Catalog Number: 90027756000

This specifications information is preliminary and is subject to change without notification.  
 Brand names mentioned are the property of their respective companies.