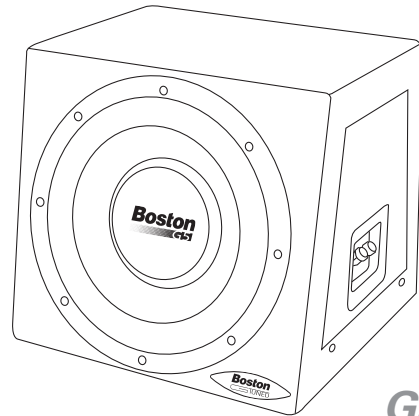
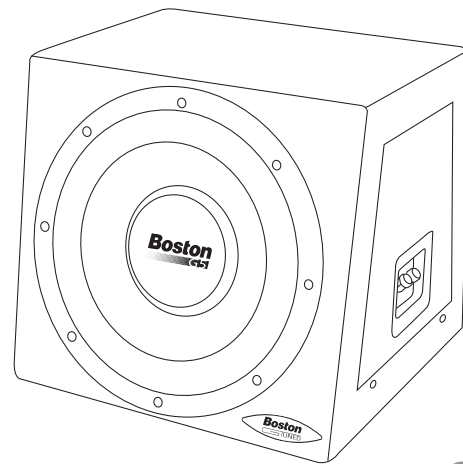


Boston



G510RS



G512RS

GTuned™ - High Performance Subwoofer Enclosures

GTUNED



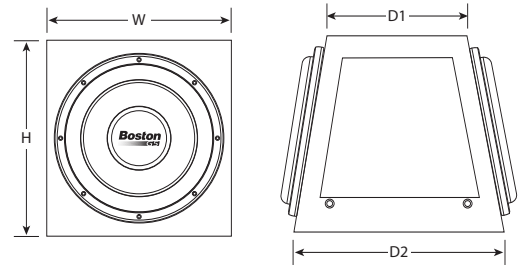
**GTuned™ High Performance
Subwoofer Enclosures:
• G512RS • G510RS**

Performance Specifications

Model	Type	Power Handling	Impedance	Q-Tune™ Setting	Tuning Freq.
G512RS	Passive Radiator	450 Watts RMS	2Ω	34Hz @ 1.0	35Hz
G510RS	Passive Radiator	450 Watts RMS	2Ω	34Hz @ 1.0	35Hz

Dimensions

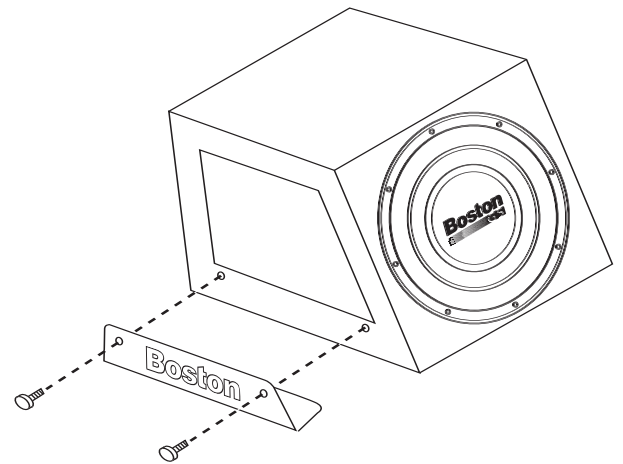
Model	Height	Width	Depth 1	Depth 2	Weight
G512RS	13" (33cm)	14" (36cm)	12" (31cm)	15 ½" (40cm)	46 Lbs.
G510RS	11 ¼" (29cm)	12 ¼" (31cm)	9" (23cm)	12 ¼" (31cm)	40 Lbs.



Positioning Brackets

Two brackets are provided for locating the enclosure and acoustically coupling the enclosure to the vehicle. Because of the small size of the enclosure, and the extreme moving mass of the driver and radiator, it is possible for the enclosure to move out of phase with the driver, resulting in a dramatic loss of output. Use of the positioning brackets will ensure maximum output.

Warning: Make sure that the enclosure is securely mounted in such a way as to not shift or fly forward in the event of an accident or sudden stop. This product should be professionally installed by an authorized Boston Acoustics dealer.



Boston Acoustics, Inc. 300 Jubilee Drive, Peabody, MA 01960 USA
T: 978.538.5000 F: 978.538.5100 W: bostonacoustics.com

GTuned and Q-Tune are trademarks and Boston, Boston Acoustics, and the Boston Acoustics logo are registered trademarks of Boston Acoustics, Inc. Specifications are subject to change without notice. © 2006 Boston Acoustics, Inc. All rights reserved. Covered by patents issued and/or pending.

142-002516-0

