

WHIRLPOOL BRAND COMMERCIAL DRYERS



FRONT LOCK READY

Factory installed lock blank provides a visual vandalism deterrent.

To further discourage theft, order optional front panel lock assembly (part #358290) for the added security of tying the front and top panels together.

1/3 HP MOTOR

1/3 HP motor with overload protection.

THERMOSTAT

Single operating thermostat for simple accurate temperature control.



IMPROVED AIRFLOW SYSTEM

Whirlpool® commercial dryers have a new Blower

Housing Wave Insert to increase air velocity up to 10%. This increases efficiency, heating element lifespan, and improves fabric care.*

*Results per Whirlpool dryer testing conducted 7/03-8/04

LARGE CAPACITY METERCASE

Larger coinbox for reduced collections. Accepts coin slides, coin drops and card readers.



LARGE 7.4 CU. FT. DRUM CAPACITY

The increased capacity allows for large loads

of clothes to tumble and spread, saving you and your customers drying time and expense.

LARGE LINT FILTER

Pull-out, 84 square inch lint filter.



4-WAY VENTING

4-Way venting from left or right side, back or bottom.



SIDE SWING DOOR

For convenient access, the wide-opening side-swing door can be opened a full 180°.

RUST PROOF SCREWS

Rust Proof Stainless Steel Torx® control panel screws give your machines added security and service life.



COMMERCIAL DRYERS

Featuring Mechanical Controls



CEM2760TQ — 27" Electric Dryer CGM2761TQ — 27" Gas Dryer with Metercase

Machine Accepts the Following Payment Systems (not included):

- Coin Slide
- Retrofit Coin Drop
- Retrofit Card Reader
- OPL Push-to-Start Kit (No Coins Needed)

- Large 7.4 Cu. Ft. Drum Capacity
- Push Button Controls
- 3 Cycles: Regular/Heavy (High Heat), Permanent Press (Medium Heat) and Knits/Delicates (Low Heat)
- 3 Timing Cycles Possible with Included Cams*
- Large, Removable, Door-Mounted Lint Screen (84 Sq. In.)
- 180° Wide-Opening Side-Swing Door
- Porcelain Top, Powdered Paint Cabinet
- Front-Service Accessibility
- Four-Way, Multi-Vent Options (Back, Bottom and Sides)
- Element Rated at 5600 Watts 240-Volt
- Gas Model Features a 22K BTU Burner
- Motor: 1/3-HP with Built-In Overload Protector; Centrifugal Switch Turns Off Heating Element When Motor Stops
- Easy-to-Follow Console Instructions
- **3 Year Limited Parts Only Warranty****

*45 Minute Timing Cam Installed, 30 and 60 Minute Cams Included.

**Call 1-800-NO-BELTS for warranty details.

COMMERCIAL DRYER SPECIFICATIONS

SINGLE DRYER SPECIFICATIONS

MODEL NUMBER	CEM2760TQ*	CGM2761TQ*
GENERAL INFORMATION Stainless Steel Look Push Button console, white enamel drum, porcelain finish top, powdered paint cabinet, front panel lock blank factory installed, removable indoor lint filter, improved meter case, 4-Way Venting	Metercase Model Accepts the Following Payment Systems: Coin Slide Retrofit Coin Drop Retrofit Card Reader OPL Push-to-Start	Metercase Model Accepts the Following Payment Systems: Coin Slide Retrofit Coin Drop Retrofit Card Reader OPL Push-to-Start
ELECTRICAL REQUIREMENTS	3-Wire Nominal 240/208-Volt, 60 Hz., A.C. Standard 30 Amps Breaker/ Fuse Branch Circuit per Dryer (Subject to Local Codes)	Nominal, 120-Volt, 60 Hz., A.C., Standard 15 Amps Breaker/Fuse Branch Circuit per Dryer (Subject to Local Codes)
MOTOR	1/2-HP Single Speed Motor with Built-In Overload Protector 5.9 Amps Max Rating	1/3 HP Single Speed Motor with Built-In Overload Protector 5.9 Amps Max Rating
HEATER TYPE	ELECTRIC	GAS**
HEATER/BURNER RATING (Add 500 watts approx for motor on all dryer models)	Heater Rated at 5600 watts	22,000 BTU Natural Gas
OPERATIONAL AMPERAGE (Does not include control or gas valve)	Motor—4.0 Amps No load Heater—23.33 Amps @ 240-Volt 27.33 Total	Motor—4.0 Amps No load
DIMENSIONS	43" H*, 27" W, 28.5" D	43" H*, 27" W, 28.5" D
SHIPPING WEIGHT (EST.)	134 Lbs.	135 Lbs.
DRUM VOLUME	7.4 Cu. Ft.	7.4 Cu. Ft.

* (height at meter case top) *** (height at dryer top panel)

** Burner orifices are available for manufactured, natural, mixed and LP gas with varying BTU ratings

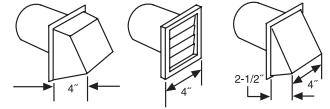
• LP Conversion Kit: 49572

▲ Power cords on electric models sold separately

Energy information is available online at www.whirlpoolcommerciallaundry.com/products.

EXHAUST INFORMATION

All dryers require the equivalent of a 4-inch diameter exhaust duct. Rigid metal duct is recommended. Failure to properly exhaust the dryer will result in improper operation.

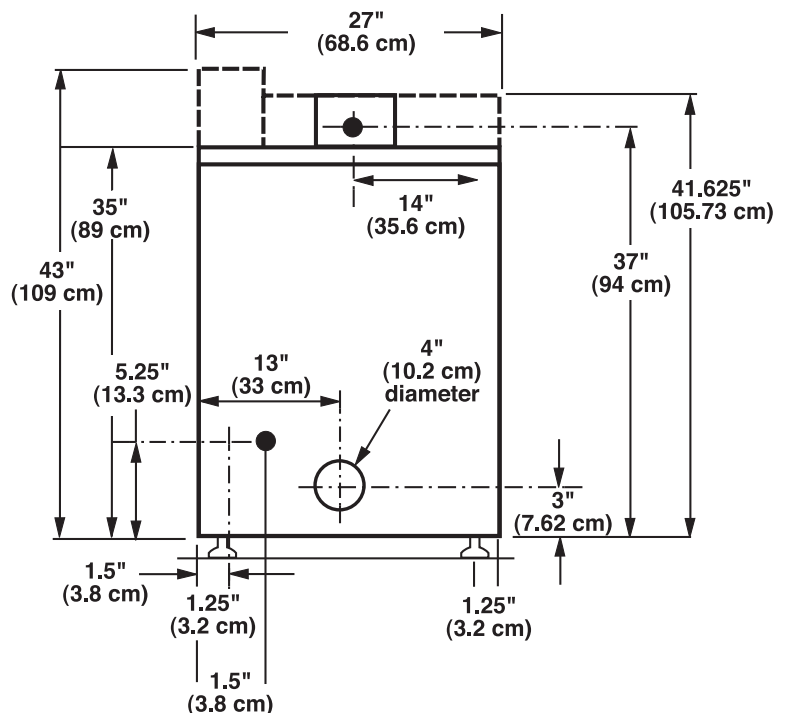
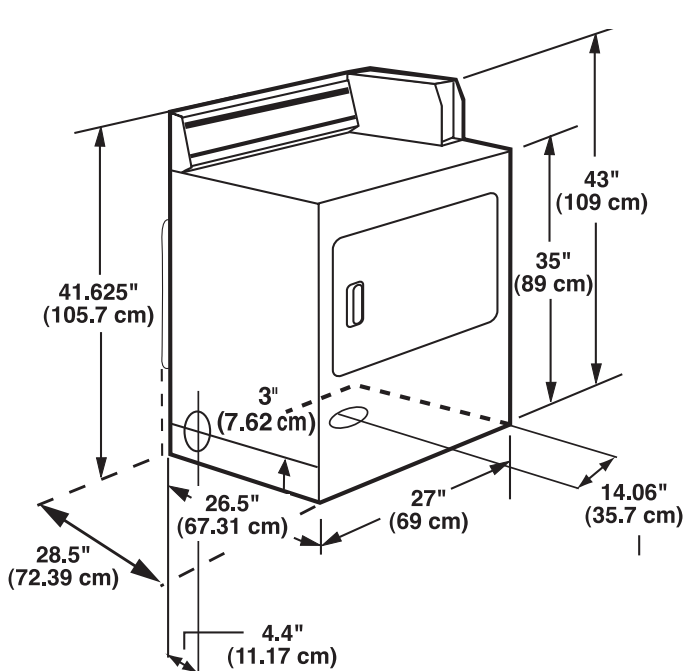


27" & 29" Dryer Venting Requirements

# of 90° Turns	4" Hood	2 1/2" Hood
Maximum Length of 4" Diameter Rigid Metal Duct		
0	64 Ft.	58 Ft.
1	54 Ft.	48 Ft.
2	44 Ft.	38 Ft.
3	35 Ft.	29 Ft.
4	27 Ft.	21 Ft.

# of 90° Turns	4" Hood	2 1/2" Hood
Maximum Length of 4" Diameter Flexible Metal Duct		
0	36 Ft.	28 Ft.
1	31 Ft.	23 Ft.
2	27 Ft.	19 Ft.
3	25 Ft.	17 Ft.
4	23 Ft.	15 Ft.

Dimensions are for planning purposes only. For complete information, see installation instructions packed with product.



To Locate a Distributor Near You, Please Visit www.whirlpoolcommerciallaundry.com/distributor, or call 1-800-N0-BELTS

TORX is a registered Trademark of Textron Industries, Inc.

®Registered trademark/™Trademark of Whirlpool, U.S.A. ©2008 Whirlpool Corporation. All rights reserved.
Whirlpool Corporation • Benton Harbor, Michigan 49022 U.S.A.



CWLL131