



Please keep this instruction sheet for future reference,
as it contains important information.

Requires three "AA" (LR6) **alkaline** batteries (not included).

Adult assembly is required.

Tool required for assembly: Phillips screwdriver (not included).



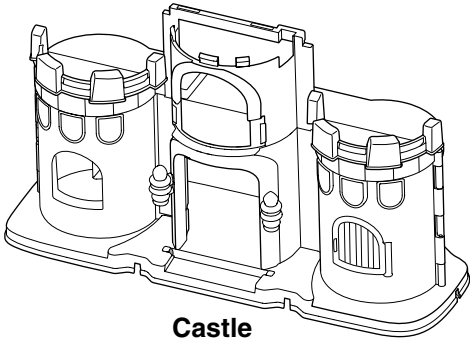
www.fisher-price.com

Lil' Kingdom Castle™

Parts

CAUTION

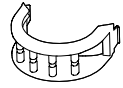
This product contains small parts in its unassembled state.
Adult assembly is required.



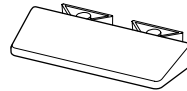
Castle



Drawbridge



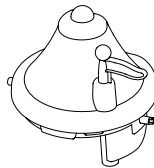
Balcony



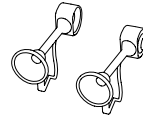
Ramp



Throne with Tube



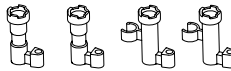
Spire



2 Horns

Parts Not Shown:

- King Figure
- Queen Figure
- 2 Thrones
- Table
- Bed
- 2 Fences
- Stable Railing
- Horse

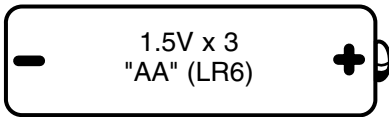


4 Posts



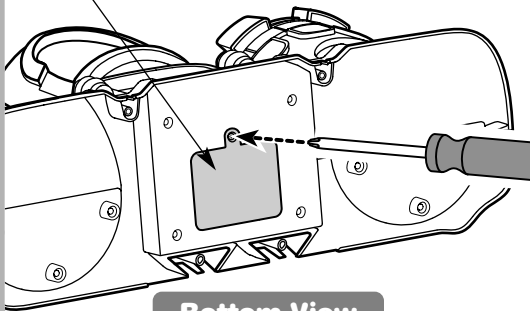
#4 x $\frac{3}{8}$ " Screw - 8
Shown Actual Size

Battery Installation



SHOWN ACTUAL SIZE

Battery Compartment Door



Bottom View

- Locate the battery compartment on the bottom of the toy.
- Loosen the screw in the battery compartment door with a Phillips screwdriver. Remove the battery compartment door.
- Insert three "AA" (LR6) **alkaline** batteries.

Hint: We recommend using **alkaline** batteries for longer battery life.

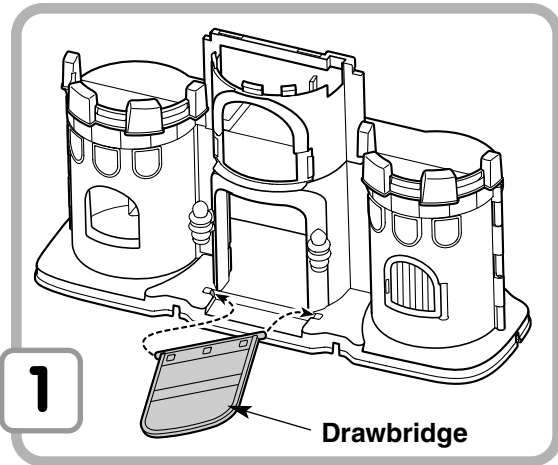
- Replace the battery compartment door and tighten the screw with a Phillips screwdriver. Do not over-tighten.
- When sounds or lights from this toy become faint or stop, it's time for an adult to change the batteries.

Battery Safety Information

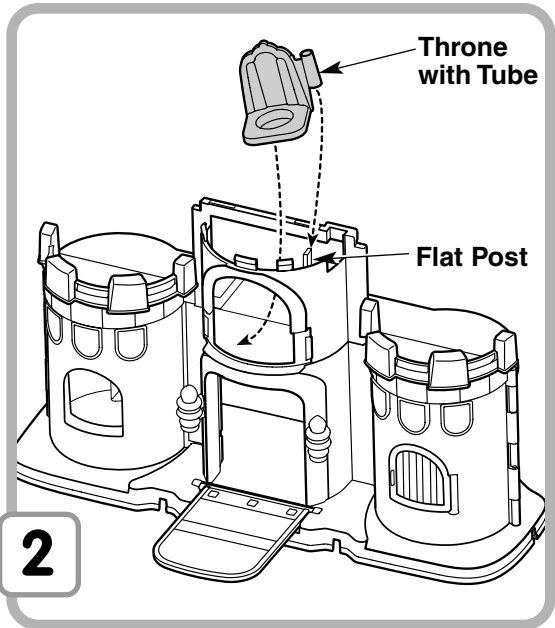
Batteries may leak fluids that can cause a chemical burn injury or ruin your toy. To avoid battery leakage:

- Do not mix old and new batteries or batteries of different types: alkaline, standard (carbon-zinc) or rechargeable (nickel-cadmium).
- Insert batteries as indicated on the battery compartment.
- Remove batteries during long periods of non-use. Always remove exhausted batteries from the toy. Dispose of batteries safely. Do not dispose of batteries in a fire. The batteries may explode or leak.
- Never short-circuit the battery terminals.
- Use only batteries of the same or equivalent type, as recommended.
- Do not charge non-rechargeable batteries.
- Remove rechargeable batteries from the toy before charging.
- If removable, rechargeable batteries are used, they are only to be charged under adult supervision.

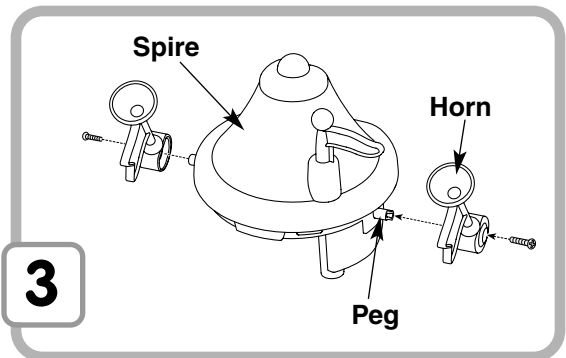
Assembly



- Position the drawbridge so that the door-knocker is facing down.
- Insert the peg on one end of the drawbridge into the hole in the castle.
- Bend the drawbridge slightly and insert the other peg into the hole in the castle.



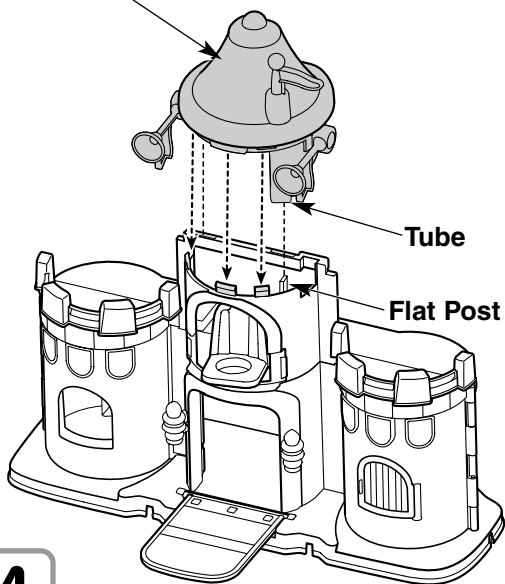
- Fit the throne tube over the flat post inside the castle as shown.
- Hint: You will need to tip the throne to fit it into the castle.*



- Fit a horn onto a peg on each side of the spire.
- Insert a screw through the hole in each horn. Tighten the screws with a Phillips screwdriver. Do not over-tighten.

Assembly

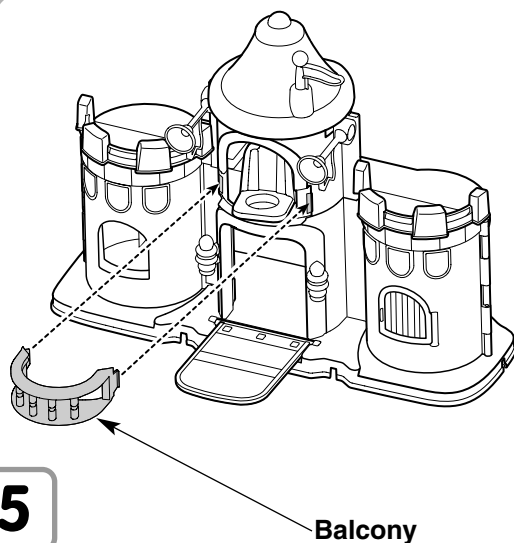
Spire



4

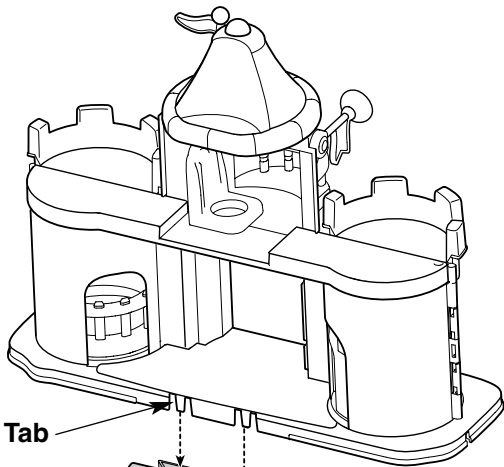
- Position the spire over the top of the throne as shown.
- Fit the spire onto the top of the castle, being sure that the tube on the bottom of the spire fits over the flat post above the throne.
- Press down on the spire to “snap” it into place.

5



- “Snap” the balcony into the slots in the front of the castle as shown.

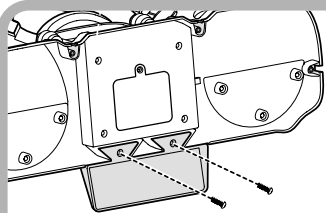
Assembly



Tab

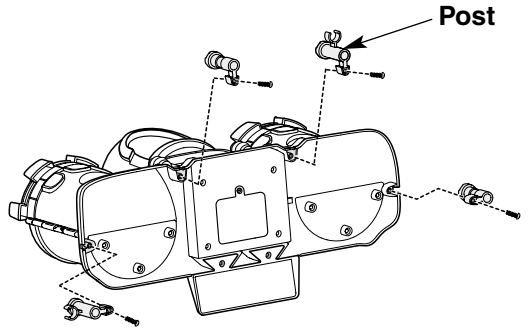
Ramp

6



Bottom View

- Align the tabs on the edge of the castle with the slots in the ramp.
- Fit the tabs into the slots and press firmly on the castle to “snap” the ramp in place.
- Position the castle so the bottom is facing you.
- Insert two screws through the holes in the ramp. Tighten the screws with a Phillips screwdriver. Do not over-tighten.



Post

7

Bottom View

- Fit a fence post over a matching peg on the bottom of the toy as shown.
- Insert a screw through the post and into the peg. Tighten the screw with a Phillips screwdriver. Do not over-tighten.
- Repeat this procedure to attach the other three fence posts.

Royal Fun For Everyone!

Push down on the tower flag. The drawbridge lowers, trumpets blare, lights flicker, and the throne rotates onto the balcony!



- Fit the tabs on the stable railing into the slots in the stable.
- Place the horse in the stable.



On/Off Switch
(ON BOTTOM OF TOY)

Slide the On/Off switch to the ● position to turn the toy on and to the ○ position to turn it off.

Care

- Wipe the toy with a clean cloth dampened with a mild soap and water solution.
- Do not immerse the toy.

Consumer Information

Questions? We'd like to hear from you!

Call Fisher-Price® Consumer Relations, toll-free at **1-800-432-5437**, 8 AM - 6 PM EST Monday through Friday. Hearing-impaired consumers using TTY/TDD equipment, please call 1-800-382-7470. Or, write to: Fisher-Price® Consumer Relations, 636 Girard Avenue, East Aurora, New York 14052.

FCC Note (United States Only)

Note: This equipment has been tested and found to comply with the limits for a Class B digital device, pursuant to Part 15 of the FCC Rules. These limits are designed to provide reasonable protection against harmful interference in a residential installation. This equipment generates, uses and can radiate radio frequency energy and, if not installed and used in accordance with the instructions, may cause harmful interference to radio communications. However, there is no guarantee that interference will not occur in a particular installation. If this equipment does cause harmful interference to radio or television reception, which can be determined by turning the equipment off and on, the user is encouraged to try to correct the interference by one or more of the following measures:

- Reorient or relocate the receiving antenna.
- Increase the separation between the equipment and receiver.
- Consult the dealer or an experienced radio/TV technician for help.

Note: Changes or modifications not expressly approved by the manufacturer responsible for compliance could void the user's authority to operate the equipment.

For countries outside the United States:

CANADA Questions? 1-800-567-7724. Mattel Canada Inc., 6155 Freemont Blvd., Mississauga, Ontario L5R 3W2.

GREAT BRITAIN [Mattel UK Ltd, Vanwall Business Park, Maidenhead SL6 4UB.](#) Helpline: 01628 500302.

AUSTRALIA Mattel Australia Pty. Ltd., 658 Church Street, Locked Bag #870, Richmond, Victoria 3121 Australia. Consumer Advisory Service 1300 135 312.

NEW ZEALAND 16-18 William Pickering Drive, Albany 1331, Auckland.

ASIA Mattel East Asia Ltd, Room 1106, South Tower, World Finance Centre, Harbour City, Tsimshatsui, HK, China.