



# Illustrated Parts List

## Model Series

# 217700

TYPE NUMBER  
0111 through 0391.

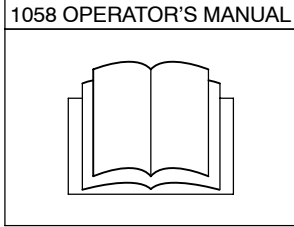
### TABLE OF CONTENTS

|  |   |
|--|---|
| <b>Air Cleaner</b> .....                   | 6 |
| <b>Alternator</b> .....                    | 9 |
| <b>Blower Housing</b> .....                | 6 |
| <b>Camshaft</b> .....                      | 3 |
| <b>Carburetor</b> .....                    | 5 |
| <b>Controls</b> .....                      | 8 |
| <b>Engine Sump</b> .....                   | 2 |
| <b>Crankshaft</b> .....                    | 3 |
| <b>Cylinder</b> .....                      | 2 |
| <b>Cylinder Head</b> .....                 | 4 |
| <b>Electric Starter</b> .....              | 7 |
| <b>Exhaust System</b> .....                | 6 |
| <b>Flywheel</b> .....                      | 7 |
| <b>Fuel Supply</b> .....                   | 8 |
| <b>Gasket Set - Engine</b> .....           | 4 |
| <b>Gasket Set - Valve</b> .....            | 4 |
| <b>Intake Manifold</b> .....               | 4 |
| <b>Ignition</b> .....                      | 8 |
| <b>Kit - Carburetor Overhaul</b> .....     | 5 |
| <b>Lubrication</b> .....                   | 3 |
| <b>Operator's Manual</b> .....             | 2 |
| <b>Rewind Starter</b> .....                | 7 |
| <b>Piston, Rings, Connecting Rod</b> ..... | 3 |
| <b>Valves</b> .....                        | 4 |
| <b>Warning Label</b> .....                 | 2 |

PRINTED IN U.S.A.



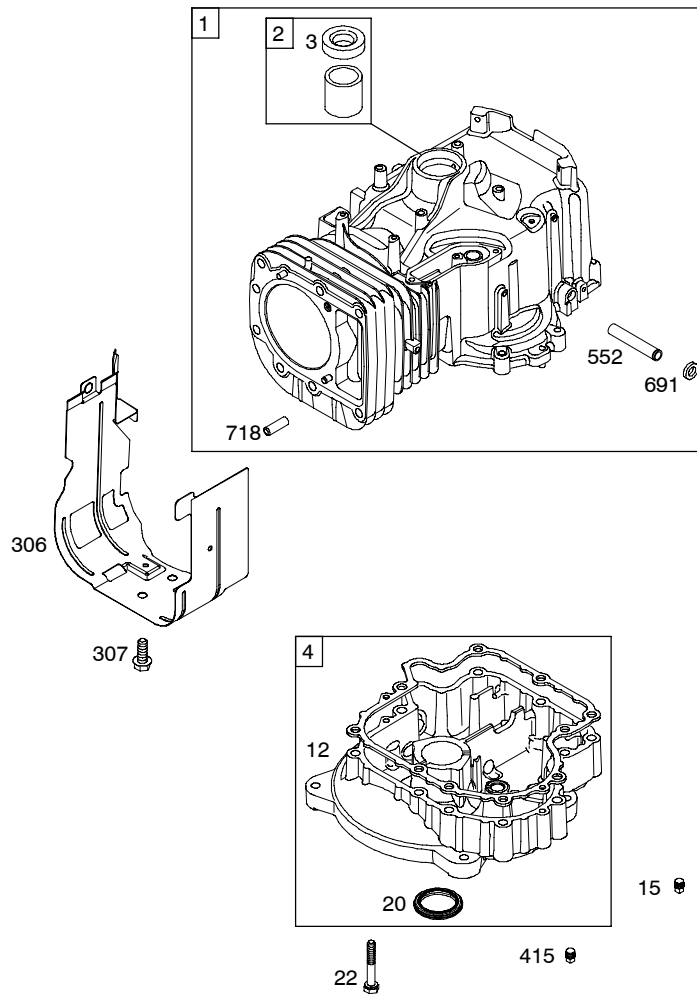
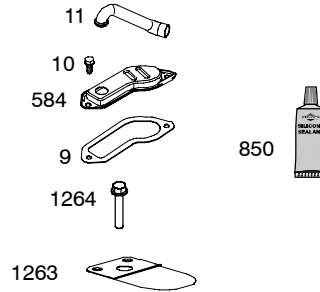
COPYRIGHT by BRIGGS & STRATTON CORPORATION  
All rights reserved. No part of this material may be reproduced or transmitted, in any form or by any means, electronic or mechanical, including photocopying, recording or by any information storage and retrieval system, without permission in writing from Briggs & Stratton Corporation.



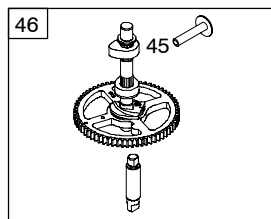
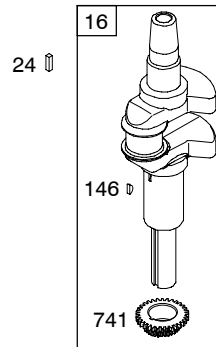
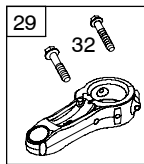
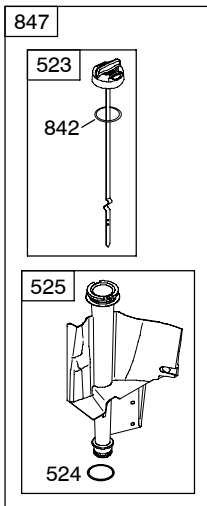
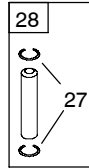
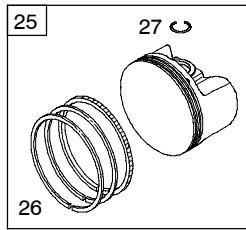
1319 WARNING LABEL

|                |  |
|----------------|--|
| <b>WARNING</b> |  |
|                | Read and follow Operating Instructions before running engine.                    |
|                | Gasoline is flammable. Allow engine to cool at least 2 minutes before refueling. |
|                | Engines emit carbon monoxide, <b>DO NOT</b> run in enclosed area.                |
|                | Muffler area temperature may exceed 150°F. Do not touch hot parts.               |

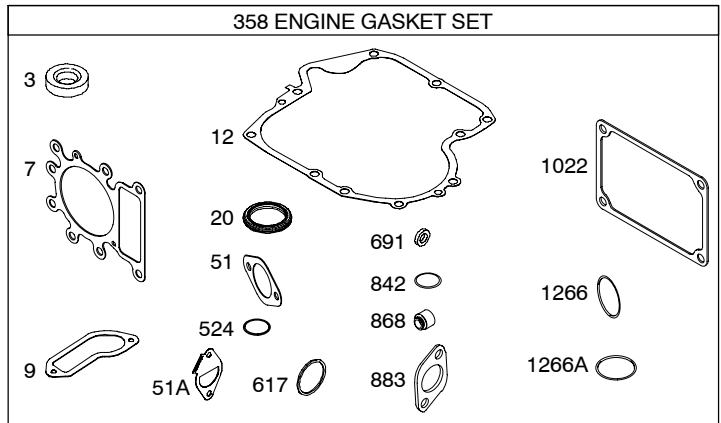
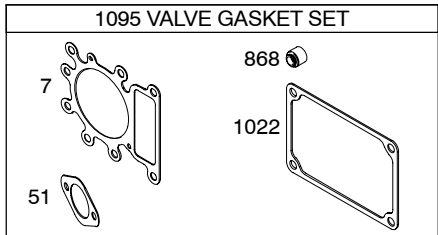
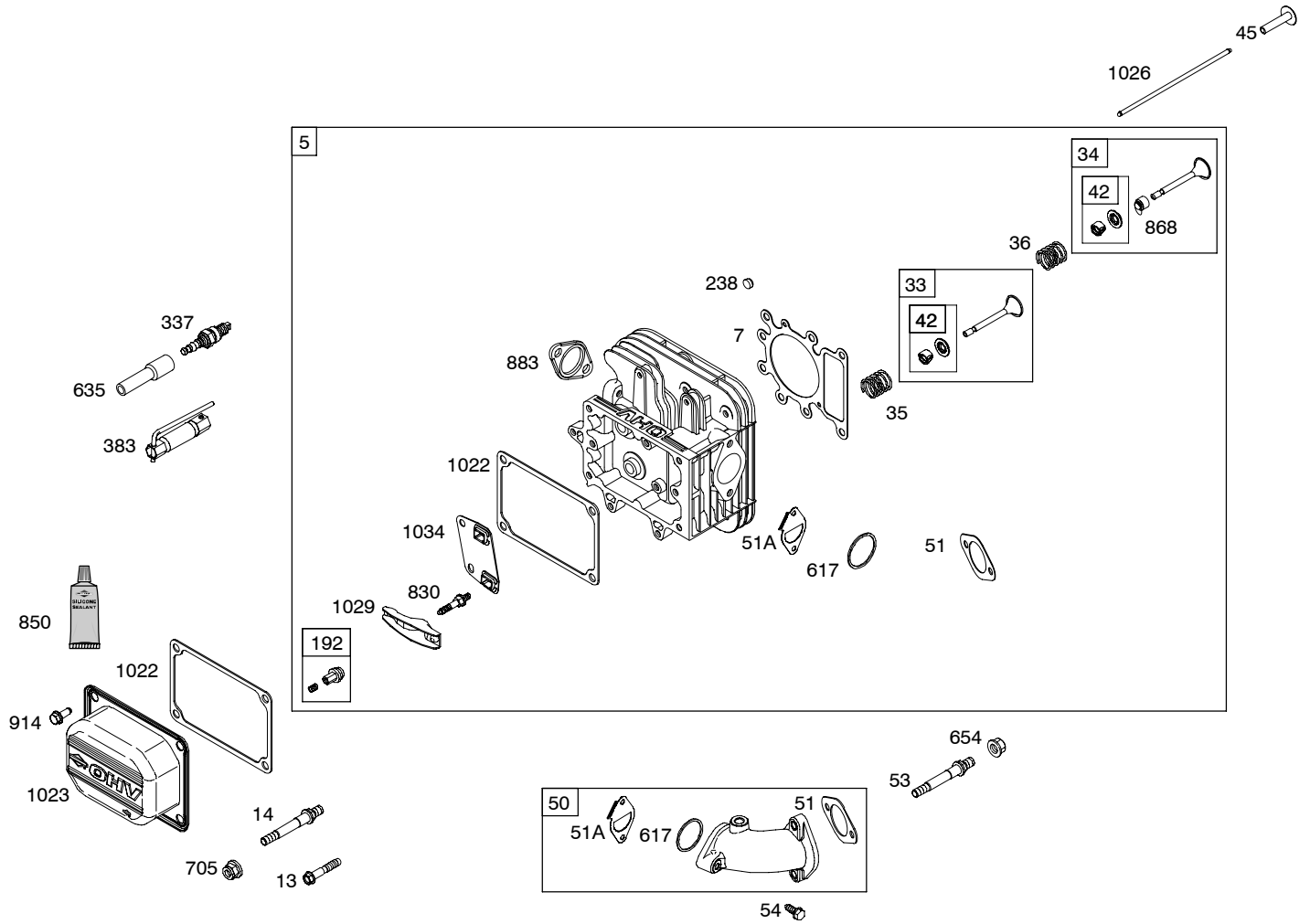
**REQUIRED** when replacing parts with warning labels affixed.



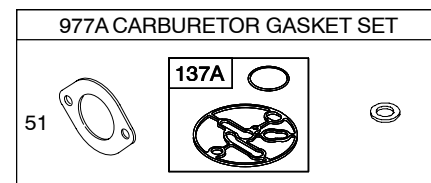
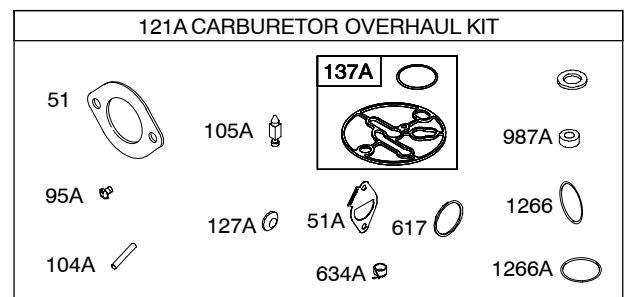
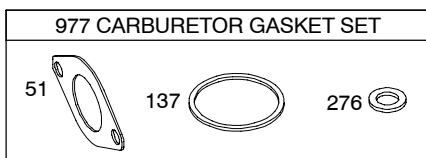
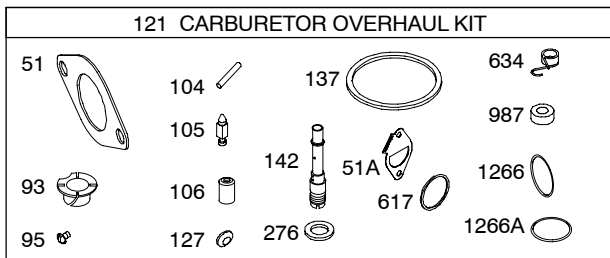
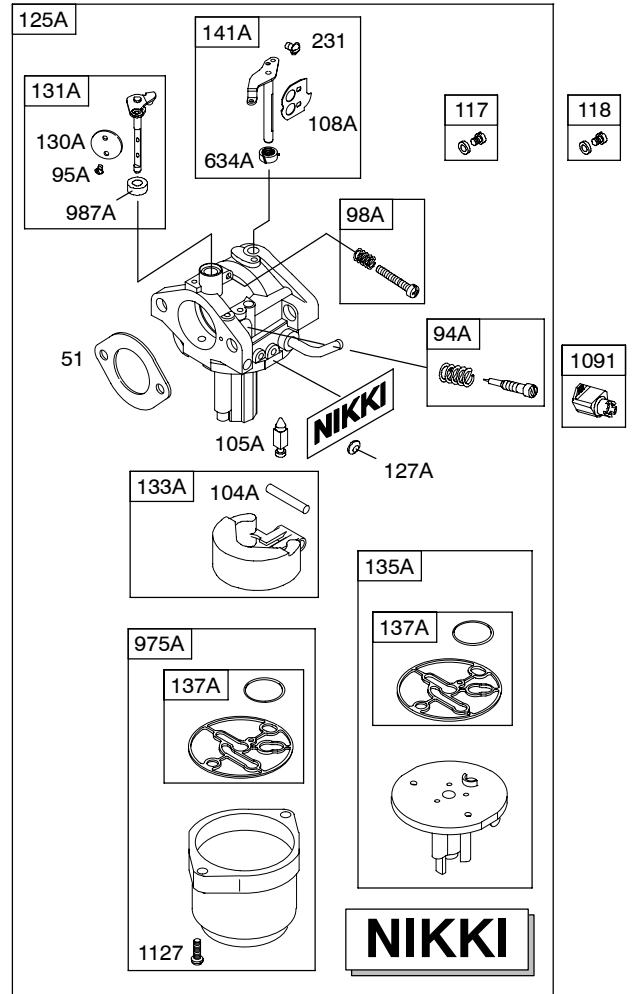
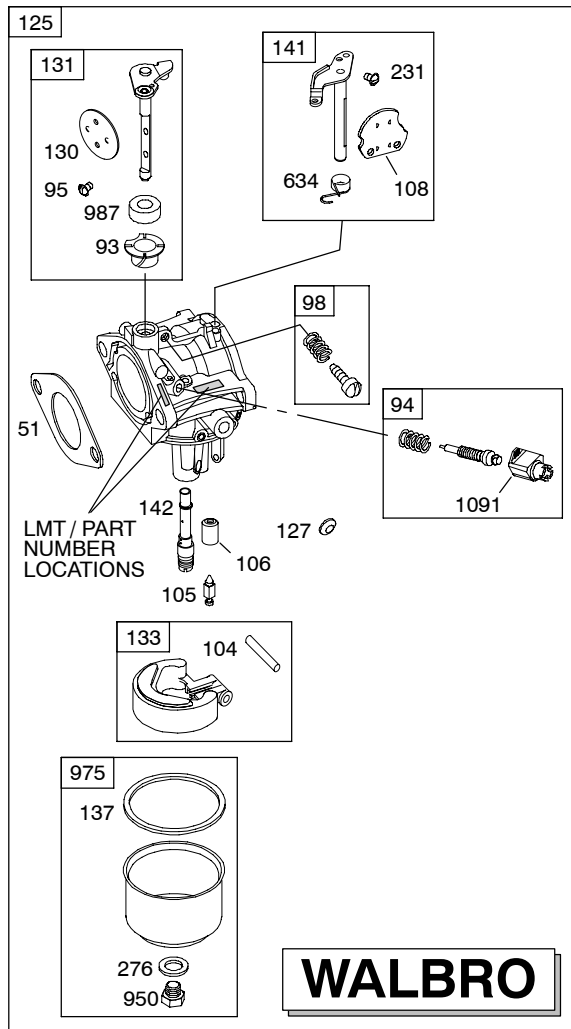
Illustrations cover a range of engines. Parts shown without corresponding text may not be used on your specific engine.



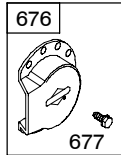
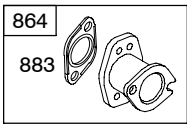
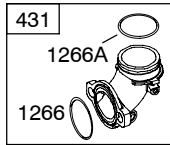
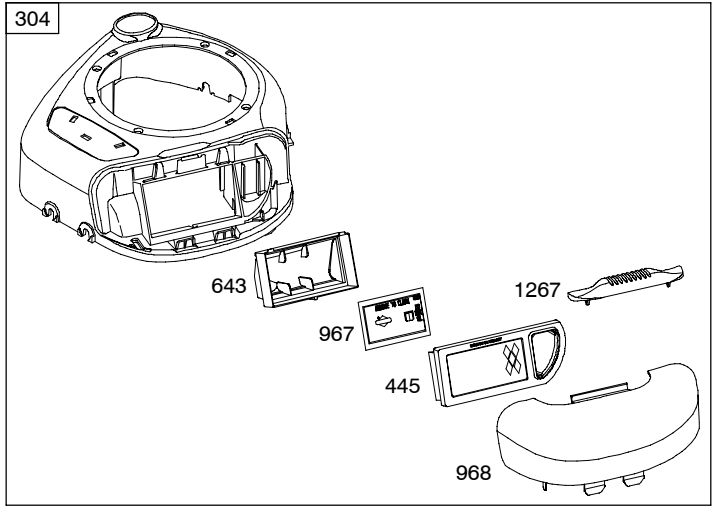
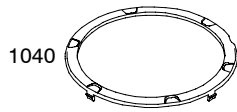
*Illustrations cover a range of engines. Parts shown without corresponding text may not be used on your specific engine.*



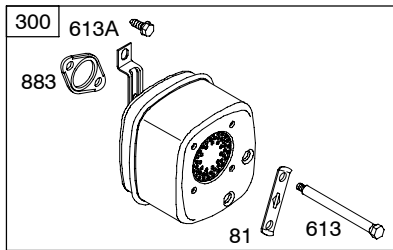
Illustrations cover a range of engines. Parts shown without corresponding text may not be used on your specific engine.

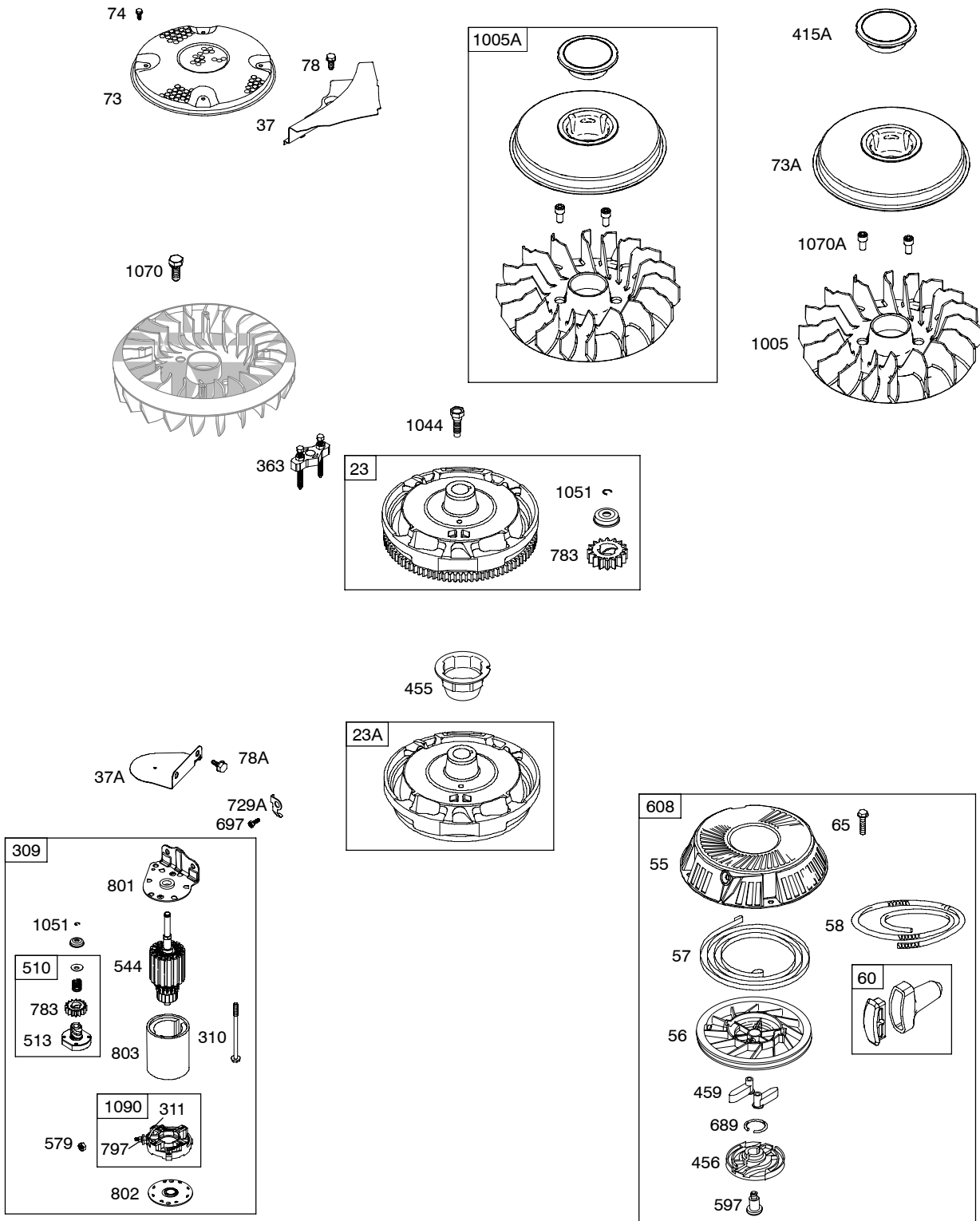


Illustrations cover a range of engines. Parts shown without corresponding text may not be used on your specific engine.



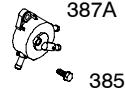
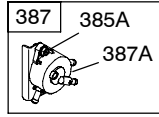
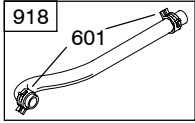
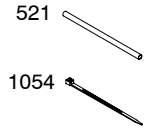
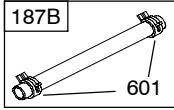
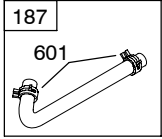
823



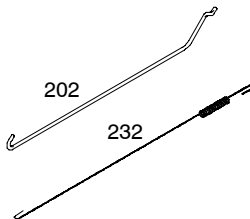
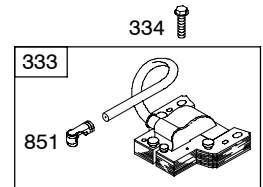
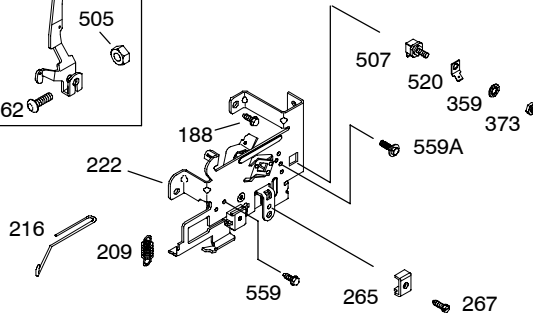
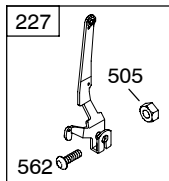
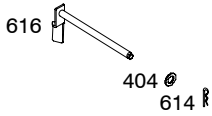
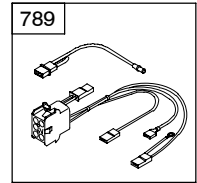
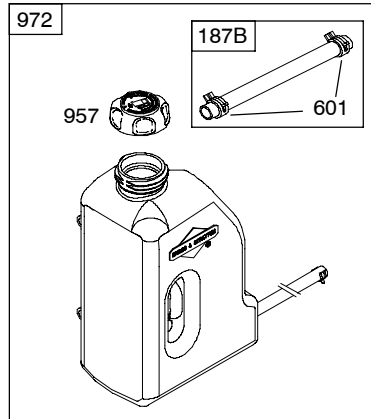


Illustrations cover a range of engines. Parts shown without corresponding text may not be used on your specific engine.

# 217700

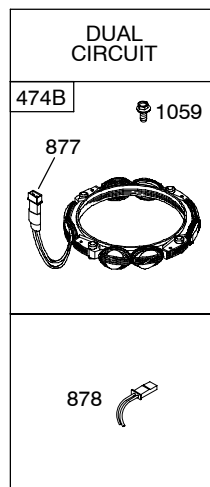



385



Illustrations cover a range of engines. Parts shown without corresponding text may not be used on your specific engine.





**NOTE:** All stators use a No. 1119 mounting screw. 

**NOTE:** The proper flywheel part number and/or the alternator magnet size will determine the alternator type or output. See repair instruction manual for additional information.

# 217700

| REF. NO. | PART NO.  | DESCRIPTION  | REF. NO. | PART NO. | DESCRIPTION  | REF. NO. | PART NO.  | DESCRIPTION  |
|----------|-----------|--|----------|----------|--|----------|-----------|--|
| 1        | 699045    | Cylinder Assembly  | 25       | 698767   | Piston Assembly (Standard)   | 42       | 499586    | Keeper-Valve   |
| 2        | 399265    | Kit-Bushing/Seal (Magneto Side)  |          |          | ----- <b>Note</b> -----  | 43       | 691968    | Slinger-Governor/Oil   |
| 3        | ★391086S  | Seal-Oil (Magneto Side)  |          |          | 698769 Piston Assembly (.020" Oversize)                                | 45       | 690564    | Tappet-Valve   |
| 4        | 697106    | Sump-Engine  | 26       | 698375   | Ring Set (Standard)  | 46       | 793880    | Camshaft   |
| 5        | 792964    | Head-Cylinder  |          |          | ----- <b>Note</b> -----  | 50       | 697361    | Manifold-Intake  |
| 7        | ★Δ273280S | Gasket-Cylinder Head   |          |          | 698377 Ring Set (.020" Oversize)                                       | 51       | ★Δ◆692137 | Gasket-Intake  |
| 9        | ★697109   | Gasket-Breather (Used Before Code Date 07071900). (After Date Code Use Liquid Sealant Reference 850) | 27       | 698469   | Lock-Piston Pin (Pink)   | 51A      | ★Δ◆794312 | Gasket-Intake Stud   |
| 10       | 697157    | Screw (Breather Assembly)  | 28       | 697099   | Pin-Piston   | 53       | 690227    | (Carburetor)   |
| 11       | 794683    | Tube-Breather (Used After Code Date 07071800). ----- <b>Note</b> -----                               | 29       | 791633   | Rod-Connecting (Standard)  | 54       | 691148    | Screw (Intake Manifold)  |
|          |           | 697113 Tube-Breather (Used Before Code Date 07071900).   |          |          | ----- <b>Note</b> -----  | 55       | 695130    | Housing-Rewind Starter   |
| 12       | ★697110   | Gasket-Crankcase (.015" Thick) (Standard)  | 32       | 791118   | Screw (Connecting Rod)   | 56       | 695129    | Pulley-Starter   |
| 13       | 690360    | Screw (Cylinder Head)  | 33       | 791934   | Valve-Exhaust (Used After Code Date 06120300). ----- <b>Note</b> ----- | 57       | 695131    | Spring-Rewind Starter  |
| 14       | 790560    | Stud (Cylinder Head) Used on Type No(s) 0111.  |          |          | 697262 Rod-Connecting (.020" Undersize)                                | 58       | 695132    | Rope-Starter   |
| 15       | 690946    | Plug-Oil Drain (3/8" Standard)   | 34       | 791935   | Valve-Intake (Used After Code Date 06120300). ----- <b>Note</b> -----  | 60       | 494212    | Grip-Starter Rope  |
| 16       | 698382    | Crankshaft   |          |          | 695760 Valve-Exhaust (Used Before Code Date 06120400).                 | 65       | 690759    | Screw (Rewind Starter) Used on Type No(s) 0111. (Used After Code Date 07040800). ----- <b>Note</b> ----- |
| 20       | 791892    | Seal-Oil (PTO Side)  |          |          | 695761 Valve-Intake (Used Before Code Date 06120400).                  |          |           | 697725 Screw (Rewind Starter) Used on Type No(s) 0111. (Used Before Code Date 07040900).                 |
| 22       | 692125    | Screw (Crankcase Cover/Sump)   | 35       | 691279   | Spring-Valve (Intake)  | 73       | 697133    | Screen-Rotating (Used Before Code Date 04090700).  |
| 23       | 792497    | Flywheel   | 36       | 691279   | Spring-Valve (Exhaust)   | 73A      | 794437    | Screen-Rotating (Used After Code Date 07040800).   |
| 23A      | 792499    | Flywheel Used on Type No(s) 0111.  | 37       | 697352   | Guard-Flywheel   | 74       | 697897    | Screw (Rotating Screen)  |
| 24       | 222698S   | Key-Flywheel   | 37A      | 697626   | Guard-Flywheel (Electric Start) Used on Type No(s) 0111.               | 78       | 691003    | Screw (Flywheel Guard)   |
|          |           |  |          |          |  | 78A      | 690364    | Screw (Flywheel Guard) Used on Type No(s) 0111.  |

★ Included in Engine Gasket Set-Ref. No.358.

● Included in Carburetor Overhaul Kit-Ref. No. 121.

◆ Included in Carburetor Gasket Set-Ref. No. 977.

Δ Included in Valve Gasket Set-Ref. No 1095.

**Illustrations cover a range of engines. Parts shown without corresponding text may not be used on your specific engine.**

| REF. NO. | PART NO. | DESCRIPTION   | REF. NO.     | PART NO.                      | DESCRIPTION   | REF. NO. | PART NO.  | DESCRIPTION  |
|----------|----------|---|--------------|-------------------------------|---|----------|---|--|
| 81       | 691178   | Lock-Muffler Screw<br>Used on Type No(s).<br>0111.                  | 130          | 790024                        | Valve-Throttle<br>(Walbro)  | 216      | 691840  | Link-Choke   |
| 93       | ●690602  | Bushing-Throttle Shaft  | 130A         | 698774                        | Valve-Throttle<br>(Nikki)   | 222      | 694042  | Bracket-Control  |
| 94       | 498030   | Kit-Idle Mixture<br>(Walbro)  | 131          | 790901                        | Kit-Throttle Shaft<br>(Walbro)  | 227      | 691374  | Lever-Governor<br>Control                                      |
| 94A      | 695425   | Kit-Idle Mixture<br>(Nikki)   | 131A         | 698776                        | Kit-Throttle Shaft<br>(Nikki)   | 231      | 691636  | Screw<br>(Choke Valve)   |
| 95       | ●691636  | Screw<br>(Throttle Valve)<br>(Walbro)                               | 133          | 494381                        | Float-Carburetor<br>(Walbro)  | 232      | 691842  | Spring-Governor Link   |
| 95A      | ●690718  | Screw<br>(Throttle Valve)(Nikki)                                    | 133A         | 694914                        | Float-Carburetor<br>(Nikki)   | 238      | 691843  | Cap-Valve  |
| 98       | 495800   | Kit-Idle Speed<br>(Walbro)  | 135A         | 698780                        | Tube-Fuel Transfer<br>(Nikki)   | 240      | 394358S   | Filter-Fuel<br>Used on Type No(s).<br>0299, 0390, 0391.        |
| 98A      | 695408   | Kit-Idle Speed<br>(Nikki)   | 137●◆281165S | Gasket-Float Bowl<br>(Walbro) | 240A  | 691035   | Filter-Fuel<br>(Includes Paper<br>Element With A 40<br>Micron Rating)<br>Used on Type No(s).<br>0111. |  |
| 104      | ●690525  | Pin-Float Hinge<br>(Walbro)   | 137A         | ◆◆698781                      | Gasket-Float Bowl<br>(Nikki)  | 265      | 691024  | Clamp-Casing   |
| 104A     | ●694918  | Pin-Float Hinge<br>(Nikki)  | 141          | 790902                        | Kit-Choke Shaft<br>(Walbro)   | 267      | 794904  | Screw<br>(Casing Clamp)  |
| 105      | ●231855S | Valve-Float Needle<br>(Walbro)                                      | 141A         | 698778                        | Kit-Choke Shaft<br>(Nikki)  | 276      | ◆◆692255  | Washer-Sealing   |
| 105A     | ●696136  | Valve-Float Needle<br>(Nikki)                                       | 142          | ●790025                       | Nozzle-Carburetor<br>(Standard)(Walbro)                                 | 300      | 697048  | Muffler<br>(Lo Tone)<br>Used on Type No(s).<br>0111.           |
| 106      | ●690577  | Seat-Inlet  | 143          | ●790028                       | Nozzle-Carburetor<br>(High Altitude)(Walbro)                            | 304      | 698473  | Housing-Blower<br>(Black)                                      |
| 108      | 691227   | Valve-Choke<br>(Walbro)   | 146          | 691639                        | Key-Timing  | 305      | 697102  | Screw<br>(Blower Housing)                                      |
| 108A     | 698773   | Valve-Choke<br>(Nikki)  | 187          | 791805                        | Line-Fuel<br>(Formed)(10-1/4<br>Inches Long)(Cut to<br>Required Length) | 305A     | 697103  | Screw<br>(Blower Housing)                                      |
| 117      | 699897   | Jet-Main<br>(Standard)(Nikki)                                       | 187B         | 791766                        | Line-Fuel<br>(15 Inches Long)(Cut<br>To Required Length)                | 306      | 697359  | Shield-Cylinder  |
| 118      | 699898   | Jet-Main<br>(High Altitude)(Nikki)                                  | 188          | 691693                        | Screw<br>(Control Bracket)  | 307      | 691003  | Screw<br>(Cylinder Shield)                                     |
| 121      | 790031   | Kit-Carburetor<br>Overhaul<br>(Walbro)                              | 192          | 691986                        | Adjuster-Rocker Arm   | 309      | 693551  | Motor-Starter<br>Used on Type No(s).<br>0299, 0390, 0391.      |
| 121A     | 698787   | Kit-Carburetor<br>Overhaul<br>(Nikki)                               | 202          | 691841                        | Link-Mechanical<br>Governor   | 310      | 690323  | Screw<br>(Starter Motor)                                       |
| 125      | 790019   | Carburetor<br>(Walbro)  | 209          | 260902                        | Spring-Governor<br>Used on Type No(s).<br>0299.                         | 311      | 497608  | Brush Set  |
| 125A     | 791178   | Carburetor<br>(Nikki)   |              |                               |   | 333      | 492341  | Armature-Magneto   |
|          |          | ----- <b>Note</b> -----   |              |                               | ----- <b>Note</b> -----   | 334      | 691061  | Screw<br>(Magneto Armature)                                    |
|          |          | <b>791266</b> Carburetor<br>(Nikki)<br>Used on Type No(s).<br>0111. |              |                               | <b>790602</b> Spring-Governor<br>Used on Type No(s).<br>0390, 0391.     | 337      | 491055S   | Plug-Spark<br>Used on Type No(s).<br>0111, 0390.               |
|          |          |   |              |                               | <b>792813</b> Spring-Governor<br>Used on Type No(s).<br>0111.           |          |   | ----- <b>Note</b> -----  |
| 127      | ●694524  | Plug-Welch<br>(Walbro)  |              |                               |   |          |   | <b>691043</b> Plug-Spark<br>Used on Type No(s).<br>0299, 0391. |
| 127A     | ●690727  | Plug-Welch<br>(Nikki)   |              |                               |   | 356A     | 398808  | Wire-Stop<br>Used on Type No(s).<br>0111.                      |

★ Included in Engine Gasket Set-Ref. No.358.

● Included in Carburetor Overhaul Kit-Ref. No. 121.

◆ Included in Carburetor Gasket Set-Ref. No. 977.

△ Included in Valve Gasket Set-Ref. No 1095.

**Illustrations cover a range of engines. Parts shown without corresponding text may not be used on your specific engine.**

# 217700

| REF. NO. | PART NO. | DESCRIPTION          | REF. NO. | PART NO. | DESCRIPTION                 | REF. NO. | PART NO. | DESCRIPTION             |
|----------|----------|----------------------|----------|----------|-----------------------------|----------|----------|-------------------------|
| 358      | 697151   | Gasket Set-Engine    | 456      | 695128   | Plate-Pawl Friction         | 579      | 691029   | Nut                     |
| 359      | 691077   | Washer               | 459      | 281505S  | Pawl-Ratchet                |          |          | (Starter Cable)         |
|          |          | (Ground Terminal)    | 474B     | 696459   | Alternator                  | 584      | 794682   | Cover-Breather          |
|          |          | Used on Type No(s).  |          |          | Used on Type No(s).         |          |          | Passage                 |
|          |          | 0111.                |          |          | 0299, 0390, 0391.           |          |          | (Used After Code Date   |
| 363      | 19203    | Puller-Flywheel      | 505      | 691251   | Nut                         |          |          | 07071800).              |
| 373      | 691612   | Nut                  |          |          | (Governor Control           |          |          | (Use With Liquid        |
|          |          | (Ground Terminal)    |          |          | Lever)                      |          |          | Sealant Reference       |
|          |          | Used on Type No(s).  | 507      | 691972   | Insulator                   |          |          | 850)                    |
|          |          | 0111.                |          |          | Used on Type No(s).         |          |          | ----- <b>Note</b> ----- |
| 383      | 89838S   | Wrench-Spark Plug    | 510      | 693699   | Drive-Starter               |          |          | <b>697112</b> Cover-    |
| 385      | 694476   | Screw                | 513      | 692024   | Clutch-Drive                |          |          | Breather Passage        |
|          |          | (Fuel Pump)          | 520      | 691084   | Terminal-Ground             |          |          | (Used Before Code       |
|          |          | Used on Type No(s).  |          |          | Used on Type No(s).         |          |          | Date 07071900).         |
|          |          | 0111.                |          |          | 0111.                       | 597      | 691696   | Screw                   |
| 385A     | 690297   | Screw                | 521      | 690581   | Shield-Cable                |          |          | (Pawl Friction Plate)   |
|          |          | (Fuel Pump)          |          |          | Used on Type No(s).         | 601      | 791850   | Clamp-Hose              |
|          |          | Used on Type No(s).  |          |          | 0111.                       | 608      | 695058   | Starter-Rewind          |
|          |          | 0111.                | 523      | 699908   | Dipstick                    |          |          | Used on Type No(s).     |
| 387      | 697090   | Pump-Fuel            | 524      | ★691032  | Seal-Dipstick Tube          | 613      | 691416   | Screw                   |
|          |          | (Includes Mounting   | 525      | 697184   | Tube-Dipstick               |          |          | (Muffler)               |
|          |          | Bracket)             |          |          | ----- <b>Note</b> -----     | 613A     | 691678   | Screw                   |
|          |          | Used on Type No(s).  |          |          | <b>697085</b> Tube-Dipstick |          |          | (Muffler)               |
|          |          | 0111.                |          |          | Used on Type No(s).         | 614      | 691620   | Pin-Cotter              |
| 387A     | 808656   | Pump-Fuel            |          |          | 0111.                       | 616      | 692012   | Crank-Governor          |
|          |          | Used on Type No(s).  | 527      | 792167   | Clamp-Tube                  | 617      | ★692138  | Seal-O Ring             |
|          |          | 0111.                |          |          | Used on Type No(s).         |          |          | (Intake Manifold)       |
| 404      | 691691   | Washer               |          |          | 0111.                       | 634      | ●690802  | Spring/Seal Assembly    |
|          |          | (Governor Crank)     | 544      | 692034   | Armature-Starter            | 634A     | ●698779  | Spring/Seal Assembly    |
| 415      | 690283   | Plug                 | 552      | 697144   | Bushing-Governor            |          |          | (Nikki)                 |
| 415A     | 794129   | Plug                 |          |          | Crank                       | 635      | 691909   | Boot-Spark Plug         |
|          |          | (Cover/Retainer)     | 559      | 697561   | Screw                       | 643      | 697155   | Retainer-Air Filter     |
|          |          | Used After Code Date |          |          | (Remote Choke               | 654      | 690958   | Nut                     |
|          |          | 07040800).           |          |          | Stop)(Assemble              |          |          | (Carburetor)            |
| 431      | 697122   | Elbow-Intake         |          |          | Remote/Manual Choke         | 676      | 393761   | Deflector-Muffler       |
| 445      | 698413   | Filter-Air Cleaner   |          |          | Stop Screw in "R"           |          |          | (Side Out)              |
|          |          | Cartridge            |          |          | Hole)                       |          |          | Used on Type No(s).     |
|          |          | (Non Washable)       |          |          | Used on Type No(s).         | 677      | 690661   | Screw                   |
| 455      | 695113   | Cup-Flywheel         |          |          | 0391.                       |          |          | (Muffler Deflector)     |
|          |          | Used on Type No(s).  | 559A     | 693675   | Screw                       | 689      | 691855   | Spring-Friction         |
|          |          | 0111.                |          |          | (Remote Choke               | 691      | ★692407  | Seal-Governor Shaft     |
|          |          |                      |          |          | Stop)(Assemble Speed        | 697      | 690372   | Screw                   |
|          |          |                      |          |          | Limiter Screw in            |          |          | (Drive Cap)             |
|          |          |                      |          |          | Number "2" Hole)            | 705      | 790561   | Nut                     |
|          |          |                      |          |          | Used on Type No(s).         |          |          | (Fuel Tank)             |
|          |          |                      |          |          | 0391.                       | 718      | 690959   | Pin-Locating            |
|          |          |                      | 562      | 691119   | Bolt                        | 729A     | 691224   | Clip-Wire               |
|          |          |                      |          |          | (Governor Control           |          |          | (Starter Motor)         |
|          |          |                      |          |          | Lever)                      |          |          |                         |

★ Included in Engine Gasket Set-Ref. No.358.

● Included in Carburetor Overhaul Kit-Ref. No. 121.

◆ Included in Carburetor Gasket Set-Ref. No. 977.

△ Included in Valve Gasket Set-Ref. No 1095.

**Illustrations cover a range of engines. Parts shown without corresponding text may not be used on your specific engine.**

| REF. NO. | PART NO. | DESCRIPTION   | REF. NO. | PART NO.  | DESCRIPTION   | REF. NO. | PART NO. | DESCRIPTION  |
|----------|----------|---|----------|-----------|---|----------|----------|--|
| 741      | 697128   | Gear-Timing   | 918      | 791851    | Hose-Vacuum   | 1029     | 691751   | Arm-Rocker   |
| 783      | 693713   | Gear-Pinion   |          |           | Used on Type No(s).<br>0111.  | 1034     | 690822   | Guide-Push Rod   |
| 789      | 698329   | Harness-Wiring<br>Used on Type No(s).<br>0299, 0390, 0391.  | 950      | 691657    | Screw-Float Bowl<br>(Bottom Of Bowl)  | 1036     |          | Label-Emissions<br>(Available from an<br>Authorized Briggs &<br>Stratton Dealer) |
| 797      | 693167   | Nut<br>(Brush Retainer)   | 957      | 792647    | Cap-Fuel Tank<br>(Plastic)  | 1040     | 698368   | Plate-Trim<br>Used on Type No(s).<br>0299, 0390, 0391.                           |
| 801      | 691283   | Cap-Drive   | 967      | 697292    | Filter-Pre Cleaner  | 1044     | 698139   | Screw<br>(Flywheel)  |
| 802      | 691286   | Cap-End   | 968      | 697420    | Cover-Air Cleaner<br>(Black)  | 1051     | 691265   | Ring-Retaining   |
| 803      | 693757   | Housing-Starter   | 972      | 792168    | Tank-Fuel<br>(Plastic)  | 1054     | 280275   | Tie-Cable  |
| 823      | 698941   | Screw<br>(Muffler Adapter)  |          |           | Used on Type No(s).<br>0111.  | 1058     | 276344   | Operator's Manual  |
| 830      | 691095   | Stud-Rocker Arm   | 975      | 495933    | Bowl-Float<br>(Walbro)  | 1059     | 698516   | Kit-Screw/Washer   |
| 842      | ★691031  | Seal-O Ring<br>(Dipstick Tube)  | 975A     | 698783    | Bowl-Float<br>(Nikki)   | 1070     | 690372   | Screw<br>(Flywheel Fan)<br>(Used Before Code<br>Date 07040900).                  |
| 847      | 790442   | Dipstick/Tube<br>Assembly<br>Used on Type No(s).<br>0299, 0390, 0391.<br>----- Note -----<br>790443 Dipstick/Tube<br>Assembly<br>Used on Type No(s).<br>0111. | 977      | 690192    | Gasket Set-Carburetor<br>(Walbro)   | 1070A    | 690363   | Screw<br>(Flywheel Fan)<br>(Used After Code Date<br>07040800).                   |
| 850      | 100100   | Sealant-Liquid<br>(Rocker Cover Gasket<br>and Breather Gasket)<br>(Used After Code Date<br>07071800).   | 977A     | 790032    | Gasket Set-Carburetor<br>(Nikki)  | 1090     | 691293   | Retainer-Brush   |
| 851      | 692424   | Terminal-Spark Plug   | 987      | ●691326   | Seal-Throttle Shaft<br>(Walbro)   | 1091     | 691333   | Cap-Limiter  |
| 864      | 697346   | Adapter-Muffler<br>Used on Type No(s).<br>0111.   | 987A     | 698777    | Seal-Throttle Shaft<br>(Nikki)  | 1095     | 691581   | Gasket Set-Valve   |
| 868      | ★△690968 | Seal-Valve  | 1005     | 794439    | Fan-Flywheel<br>(Used After Code Date<br>07040800).   | 1119     | 691183   | Screw<br>(Alternator)  |
| 877      | 393456   | Wire/Connector-<br>Alternator<br>(Dual Circuit)<br>Used on Type No(s).<br>0390, 0391.   | 1005A    | 794440    | Fan-Flywheel<br>(Used Before Code<br>Date 07040900).  | 1127     | 695407   | Screw<br>(Float Bowl)(Nikki)   |
| 878      | 398661   | Harness-Alternator<br>Used on Type No(s).<br>0390, 0391.  | 1019     | 699196    | Kit-Label   | 1263     | 697124   | Reed-Breather  |
| 883      | ★692236  | Gasket-Exhaust  | 1022     | ★△272475S | Gasket-Rocker Cover<br>(Used Before Code<br>Date 07091000).<br>(After Date Code Use<br>liquid Sealant<br>Reference 850) | 1264     | 697104   | Screw<br>(Breather Reed)   |
| 914      | 691108   | Screw<br>(Rocker Cover)   | 1023     | 791079    | Cover-Rocker  | 1266     | ●691917  | Seal-O Ring<br>(Intake Elbow)  |
|          |          |   | 1026     | 697394    | Rod-Push<br>(Intake)<br>----- Note -----<br>697395 Rod-Push<br>(Exhaust)  | 1266A    | ●697123  | Seal-O Ring<br>(Intake Elbow)  |
|          |          |   |          |           |   | 1267     | 697419   | Latch-Blower Housing<br>(Black)  |
|          |          |   |          |           |   | 1319     | 794467   | Label-Warning  |

★ Included in Engine Gasket Set-Ref. No.358.

● Included in Carburetor Overhaul Kit-Ref. No. 121.

◆ Included in Carburetor Gasket Set-Ref. No. 977.

△ Included in Valve Gasket Set-Ref. No 1095.

**Illustrations cover a range of engines. Parts shown without corresponding text may not be used on your specific engine.**