

DOOR/REAR DECK SPEAKER

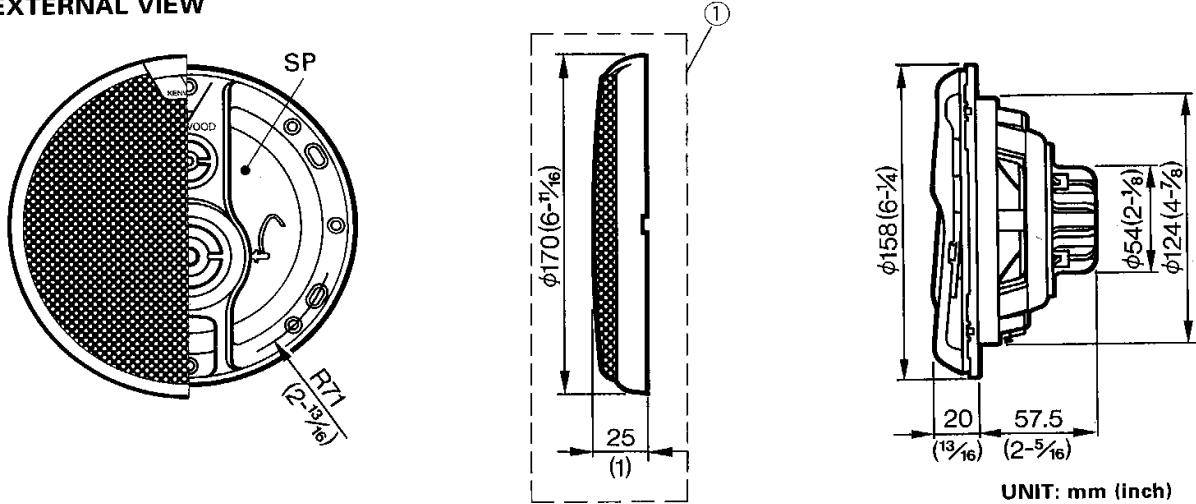
# KFC-HQR16

## SERVICE MANUAL

# KENWOOD





©1996-1 PRINTED IN JAPAN  
B51-6957-00 (MC) 1342

### EXTERNAL VIEW



UNIT: mm (inch)

### PARTS INCLUDED

- ①  ..... x 2
- ②  4.5m(15ft) ..... x 2
- ③  φ4×30 ..... x 6
- ④  ..... x 6

### PARTS LIST

★ New Parts  
Parts without **Parts No.** are not supplied.  
Les articles non mentionnés dans le **Parts No.** ne sont pas fournis.  
Teile ohne **Parts No.** werden nicht geliefert.

Ref No.	New Parts	Parts No.	Description
①	★	B06-0985-08	Grille assy
②	★	E30-5292-08	Speaker cord
③, ④	★	N99-1086-18	Screw set
SP	★	T15-0301-08	Speaker

### SPECIFICATIONS

Speakers	
Woofer	158mm(6in) Injection P.P. Cone Type
Midrange	33g×2(1.16oz×2) Neodymium Magnet
Tweeter	40mm(1-9/16in) P.P.T.A. Balanced Dome Type
Tweeter	25mm(1in) P.P.T.A. Balanced Dome Type
Peak Power	150 Watts
Frequency Response	35Hz~30,000Hz
Sensitivity	92dB/W at 1m
Impedance	4 Ohms
Net Weight With Grille	980g(2.2lb)/Pair

**Note:**

**KENWOOD** follows a policy continuous advancements in development.  
For this reason specifications may be changed without notice.