

*Parts Manual for*

# **SNAPPER®**

## **522 SINGLE STAGE SNOW THROWER SERIES 0**

<b>MODEL</b>
<i>ESS50220E (7800083)</i>
<i>SS50220E (7800080)</i>



**Briggs & Stratton Yard Power Products Group**

535 Macon Road  
McDonough, GA, 30253 U.S.A.  
800-935-2967

**Revision B, 4/28/2008**

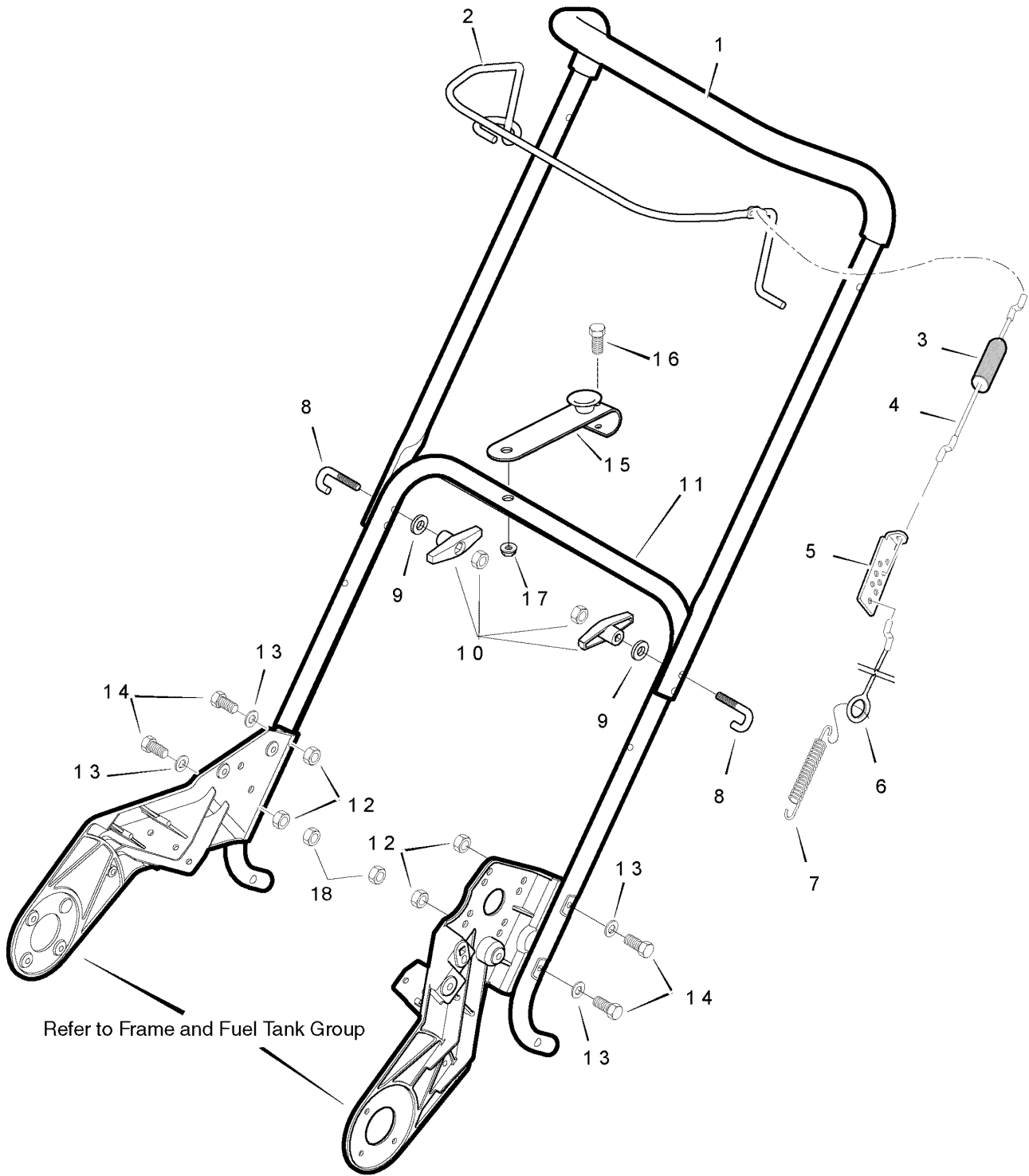
**Manual No. 7006053**

**TP 400-5245-B-SX-N**



<b>PAGE</b>	<b>GROUP</b>
4	Handle Assembly Group
6	Body Covering Group
8	Auger and Housing Group
10	Chute System Group
12	Frame and Fuel Tank Group
14	Engine Drive System Group
18	Wheel Assembly Group
20	Electric Starter Group
22	Decals Group

# Handle Assembly Group

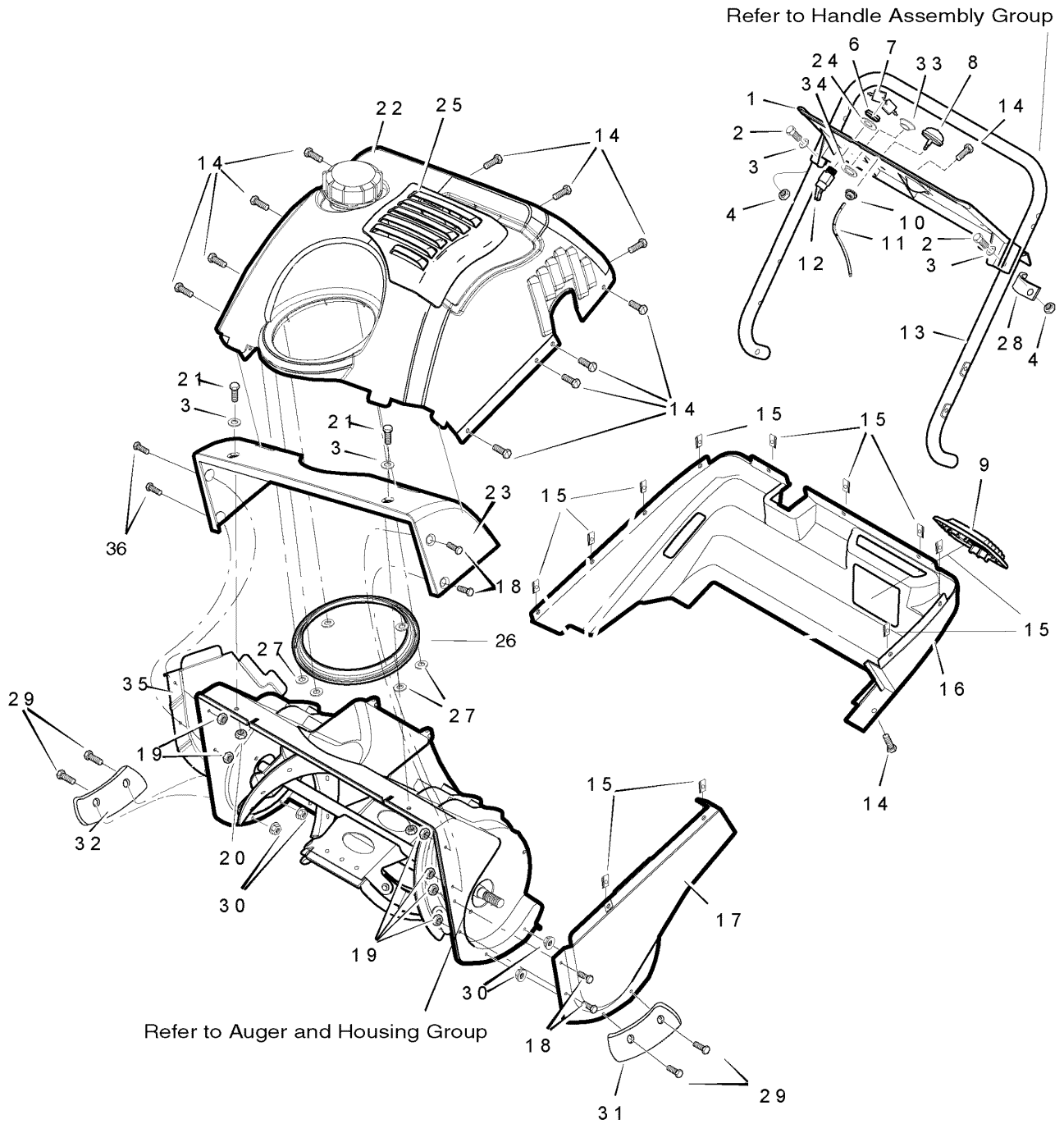


## Handle Assembly Group

Item	Part No	Qty	Description	Note
1	722348	1	HANDLE & GRIP ASSEMBLY	
2	722313	1	CONTROL, Bail	
3	723154	1	BOOT, Clutch Spring	
4	722366	1	CABLE, Upper Control	
5	723259	1	BRACKET, Control Adjust	
6	723261	1	CABLE, Lower Control	
7	723263	1	SPRING, Extension 3/4 O.D. x .069	
8	722326	2	U-BOLT, 5/16-18	
9	723239	2	WASHER, Form 11/32 ID 1.0	
10	722136	2	WING KNOB, (includes 5/16-18 hex nut #722399)	was 1501260MA
11	1740343	1	HANDLE, Lower	
12	725429	4	NUT, 1/4-20 Regular Hex Control Lock	
13	725330	4	WASHER FLAT 9/32 x 5/8 x .065	
14	723280	4	SCREW, 1/4-20 x 1.25	
15	1733377	1	BRACKET, Chute Handle Assembly	
16	1740344	1	BOLT, 1/4-20 x 1.50 Hex Head	
17	1740345E701	1	NUT, 1/4-20 Hex Head Nylock Blk	
18	725408	2	Nut, 5/16-18 Hex Center Lock	

### Footnotes:

# Body Covering Group

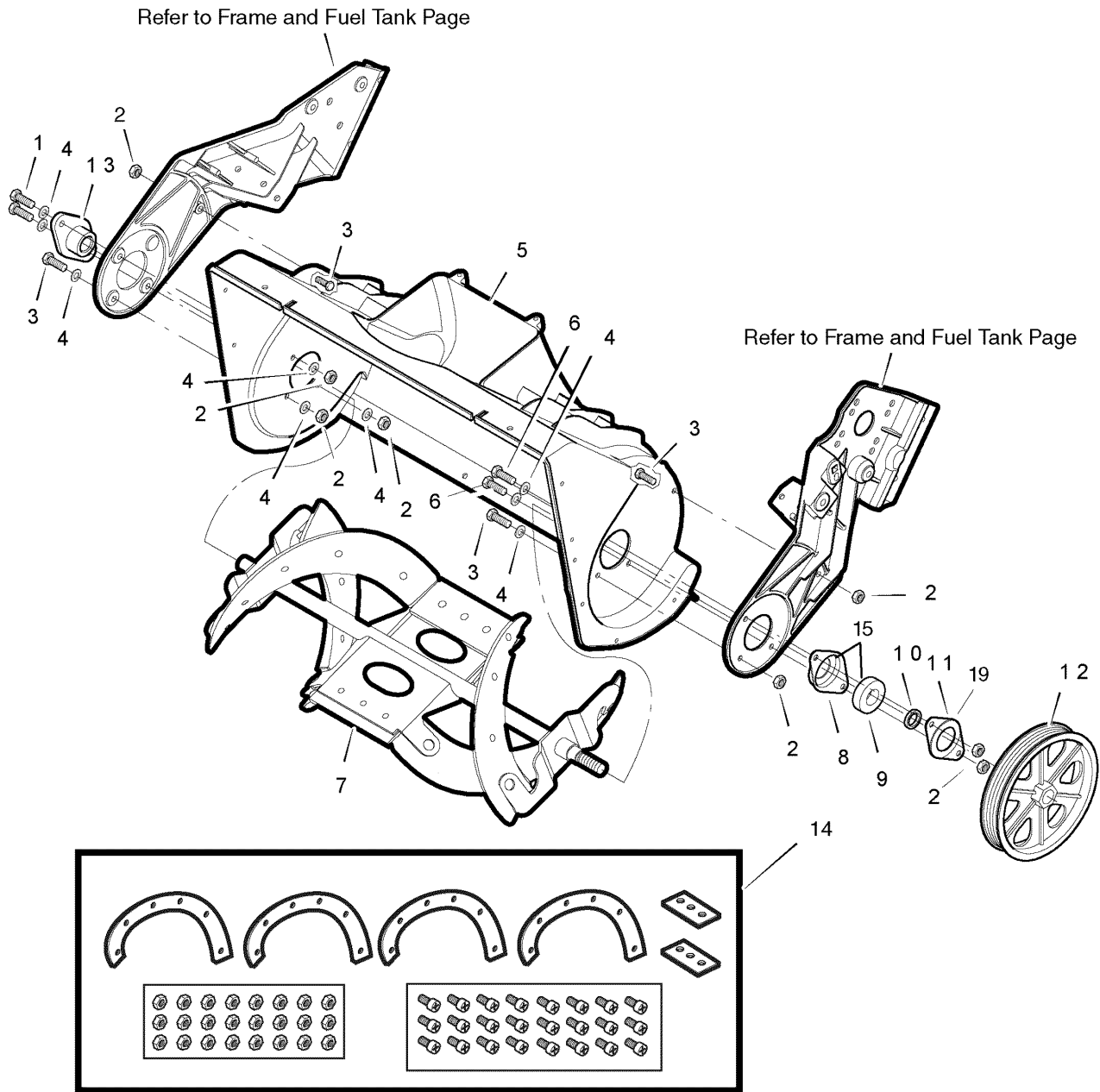


## Body Covering Group

Item	Part No	Qty	Description	Note
1	1740006	1	PANEL, Control 22" SS DLR	
2	723280	2	SCREW, 1/4-20 x 1.25	
3	725330	4	WASHER, Flat 9/32 x 5/8 x .065	
4	725429	2	NUT, 1/4-20	
6	722906	1	NUT, 5/8-32	
7	691959	1	KEY, Set	
8	394281S	1	PRIMER, Carburetor	
9	722327	1	PANEL, Access 22" SS DLR	
10	727479	1	NUT, Keps 1/4-20	
11	723672	1	HOSE, Primer 9.5"	
12	724504	1	SWITCH, Ignition	
13	722312	1	HANDLE, Lower	
14	723283	13	SCREW, 1/4-14 x 3/4	
15	724571	11	J-NUT, 1/4-10	
16	1740004	1	COVER, Bottom 22" SS DLR	
17	1740005	1	COVER, Belt 22" SS DLR	
18	721923	6	SCREW, 10-24 x 1/2	
19	723243	6	LOCKNUT, Hex 10-24 Regular Center Lock	
20	722398	1	LOCKNUT, Hex 1/4-20	
21	1740383	2	SCREW, 1/4-20 x 5/8	
22	1740351	1	COVER, Top 22" SS DLR	
23	1740007	1	COVER, Auger Top 22" SS DLR	
24	727970	1	WASHER, Interlock 41/64 x 1.1	
25	1740002	1	COVER, Access Oil	
26	1740020	1	GASKET, Chute Ring	
27	720384	6	NUT, PUSH	
28	729475	1	CLIP, Cable	
29	1740381	4	SCREW, 10-32 x .75	
30	1740382	4	NUT, 10-32 Nylock	
31	1740397	1	SHOE, Skid L.H	
32	1740398	1	SHOE, Skid, R.H	
33	729580	1	ROPE, GROMMET	
34	729667	1	ROPE, GROMMET, Washer	
35	1740071	1	COVER, Auger R.H	

### Footnotes:

# Auger and Housing Group



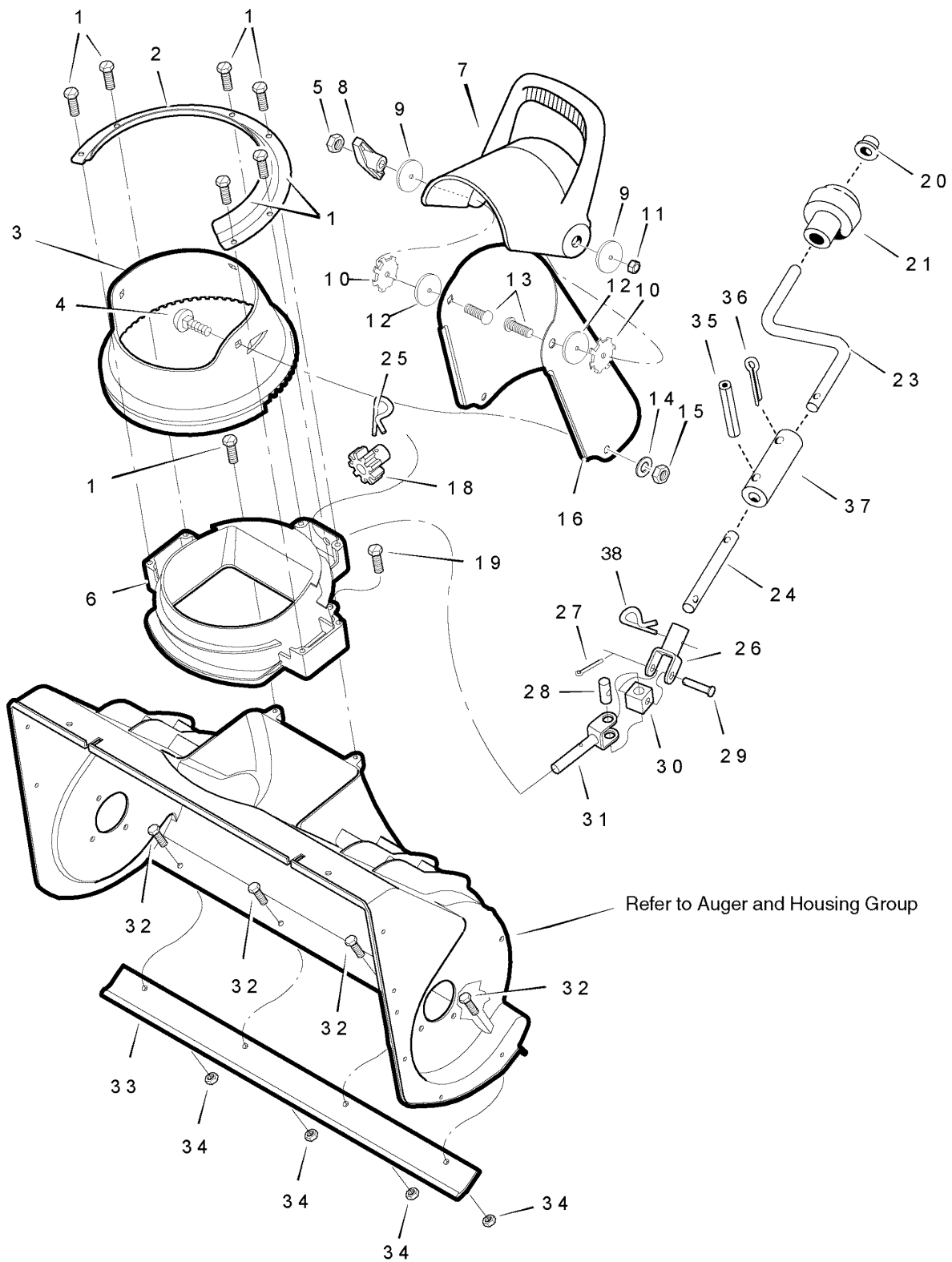


## Auger and Housing Group

---

Item	Part No	Qty	Description	Note
1	725304	2	SCREW, 1/4-20 x 1.00	
2	725429	8	NUT, Hex 1/4-20	
3	723010	4	SCREW, 1/4-20 x 3/4	
4	725330	10	WASHER, Flat	
5	1740348	1	HOUSING ASSEMBLY, Auger	
6	728095	2	SCREW, 1/4-20 x 5/8	
7	1740380	1	AUGER, Assembly, 22"	
8	724638	1	RETAINER, Bearing	
9	724001	1	BEARING, Ball	
10	724570	1	SLEEVE, Spacer	
11	723659	1	PLATE, Bearing Retainer	
12	723622	1	PULLEY, Auger Drive V6	
13	724547	1	BEARING, Flange	
14	1687312	1	KIT, Auger Flight	
15	724753	1	assy, Plate & Bearing	
19	728822	1	RETAINER, Bearing	

### Footnotes:

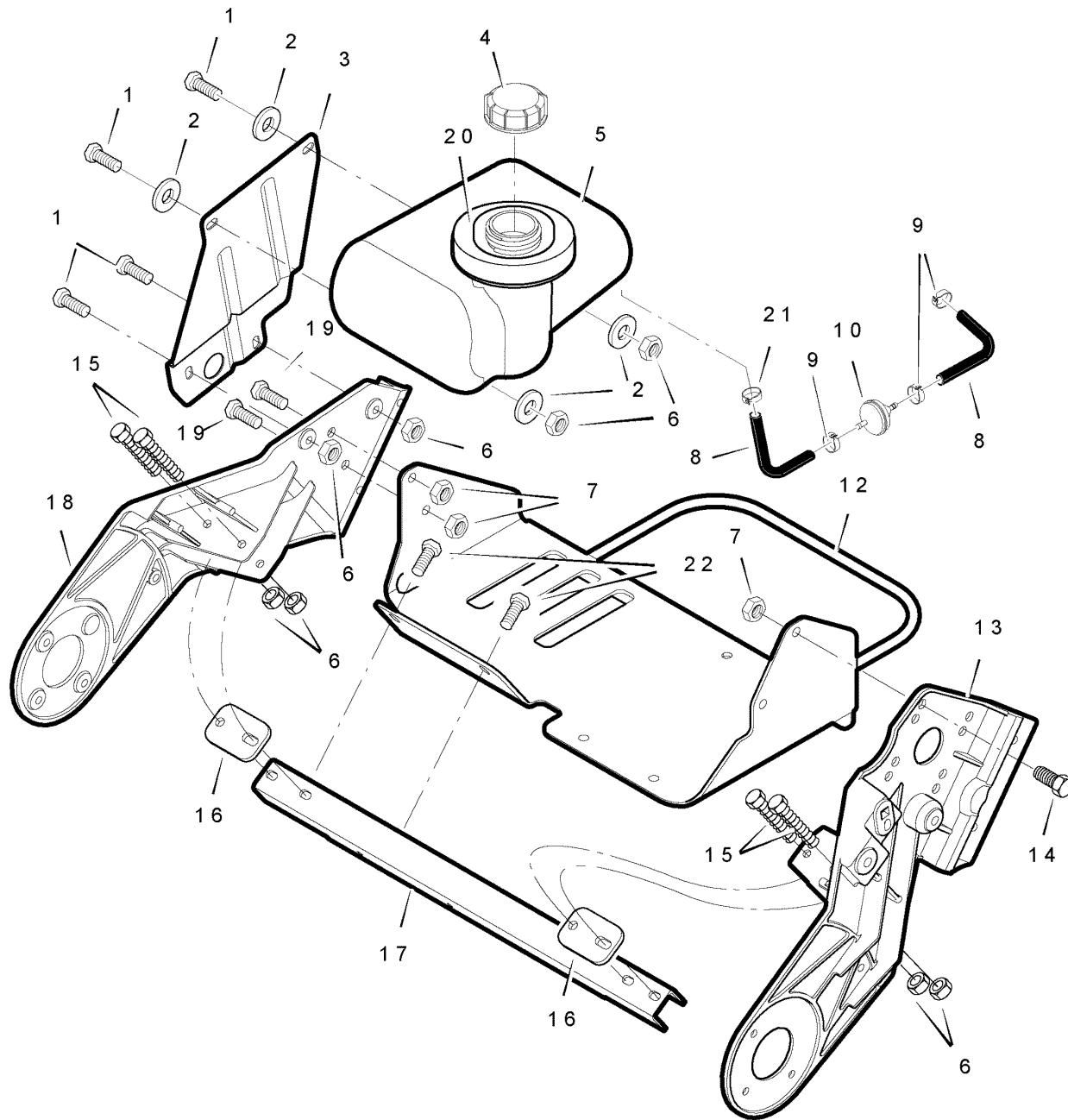


## Chute System Group

Item	Part No	Qty	Description	Note
1	723283	6	SCREW, 1/4-14	
2	727525	1	RETAINER, Chute Ring	
3	1740060	1	RING, Chute	
4	723873	3	BOLT, Carriage 5/16-18 x 3/4	
5	725320	1	NUT, 5/16-18 Reghex	
6	722303	1	NECK, Chute	
7	1716631	1	CHUTE, 22" Upper	
8	727445	1	T-KNOB, 3.00 Plastic	
9	1920283	2	WASHER, Flat 1 - 1/2 O.D	
10	1716642	2	LOCKWASHER, Shakeproof	
11	725408	1	LOCKNUT, Hex 5/16-18	
12	1716624	2	WASHER, Rubber 1-1/2 O.D	
13	1740384	2	BOLT, Upper Chute	
14	725332	2	WASHER, Flat 13/32 x 13/16	
15	725321	2	NUT, 5/16-18 Hex, Nylock	
16	1716612	1	CHUTE, Lower	
18	722073	1	GEAR, 9-Tooth	
19	723283	1	SCREW, 1/4-14 x .75	
20	1740420	1	NUT, Push	
21	1714084	1	KNOB, Crank	
23	1733369	1	CRANK, Chute Rotation	
24	1720576	1	HANDLE, Chute Rotator Lower	
25	722139	1	PIN, Hair	
26	722076	1	YOKE ASSEMBLY, Adapter	
27	724605	1	PIN, Cotter	
28	724564	1	PIN, Universal Joint	
29	724579	1	PIN, Clevis	
30	724565	1	BLOCK, Universal Pivot	
31	722322	1	ROD, Lower Crank	
32	723010	4	SCREW 1/4-20 x 3/4	
33	722315	1	BLADE, Scraper	
34	722398	4	LOCKNUT, Hex 1/4-20	
35	1740347	1	PIN, Spring 5/32 x 1.00	
36	1740346	1	CLIP, Hairpin 3/32 x 1.625 Black	
37	1720577	1	CHUTE HANDLES, Spliced	
38	720539	1	Pin, Cotter	

### Footnotes:

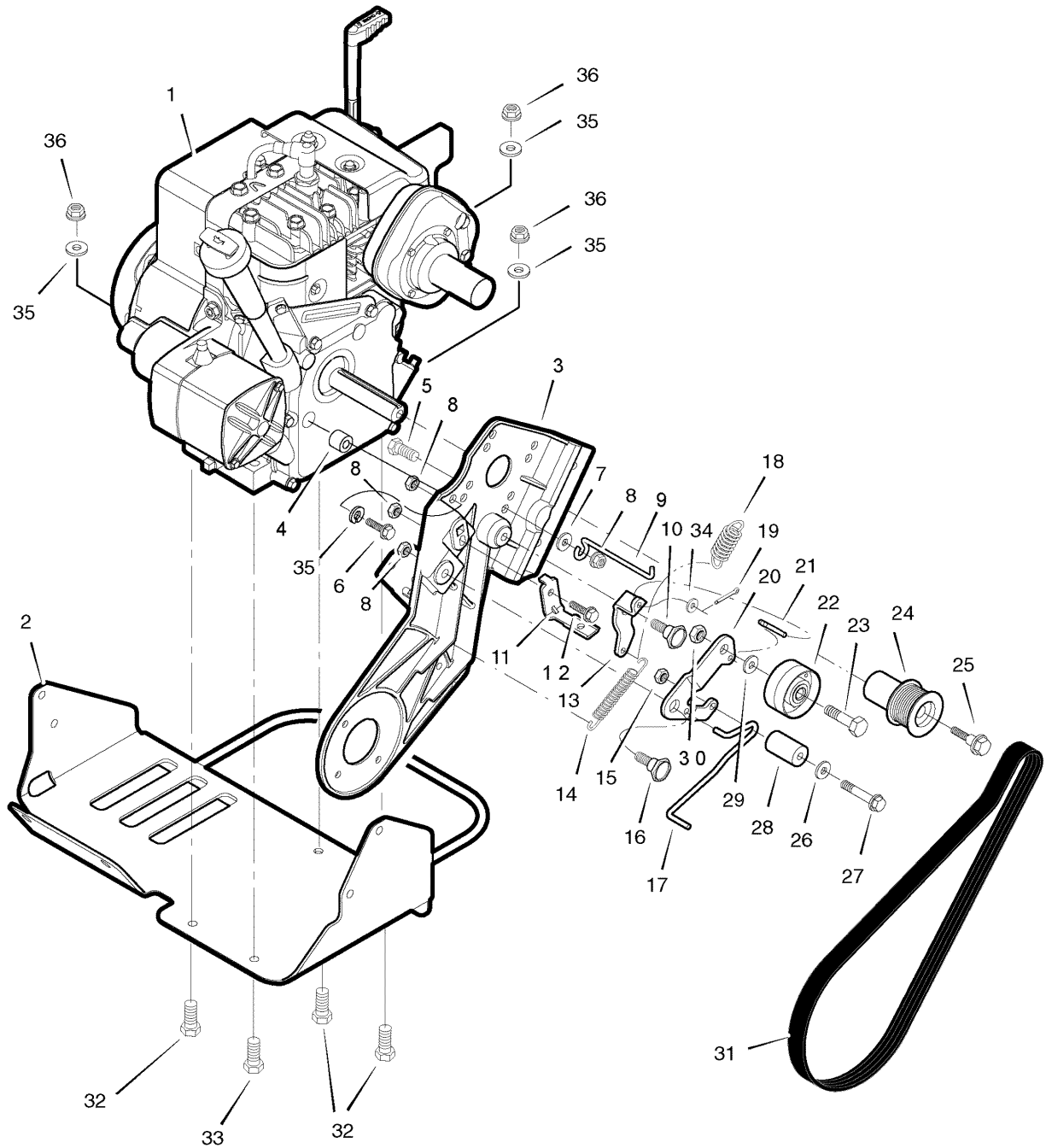
**Frame and Fuel Tank Group**



## Frame and Fuel Tank Group

Item	Part No	Qty	Description	Note
1	723010	4	SCREW, 1/4-20 x 3/4	
2	725330	4	WASHER, Flat 9/32 x 5/8 x .065	
3	1740031E701	1	BRACKET, Fuel Tank	
4	1715917	1	CAP, Fuel Tank	
5	1716634	1	TANK, Fuel	
6	725429	7	NUT, Hex 1/4-20	
7	015x43	3	NUT, Hex 5/16-18	
8	722361	2	TUBING, Fuel Line	
9	723462	3	CLAMP, Fuel Line	
10	722264	1	FILTER, Fuel Line	
12	722304	1	CRADLE ASSEMBLY, Engine	
13	722321	1	Frame, Left Hand	
14	727291	1	SCREW, 5/16-18 x .63	
15	727940	4	SCREW, 1/4-20 x 2.00	
16	727517	2	PLATE, Mounting Support	
17	722305	1	SUPPORT, Frame	
18	722320	1	FRAME, Right Hand	
19	722633	2	SCREW, 5/16-18 x 3/4	
20	1740032	1	RING, Foam	
21	724068	1	CLAMP, Fuel Line, Screw Type	
22	723210	2	SCREW, 1/4-20 x 5/8	

### Footnotes:

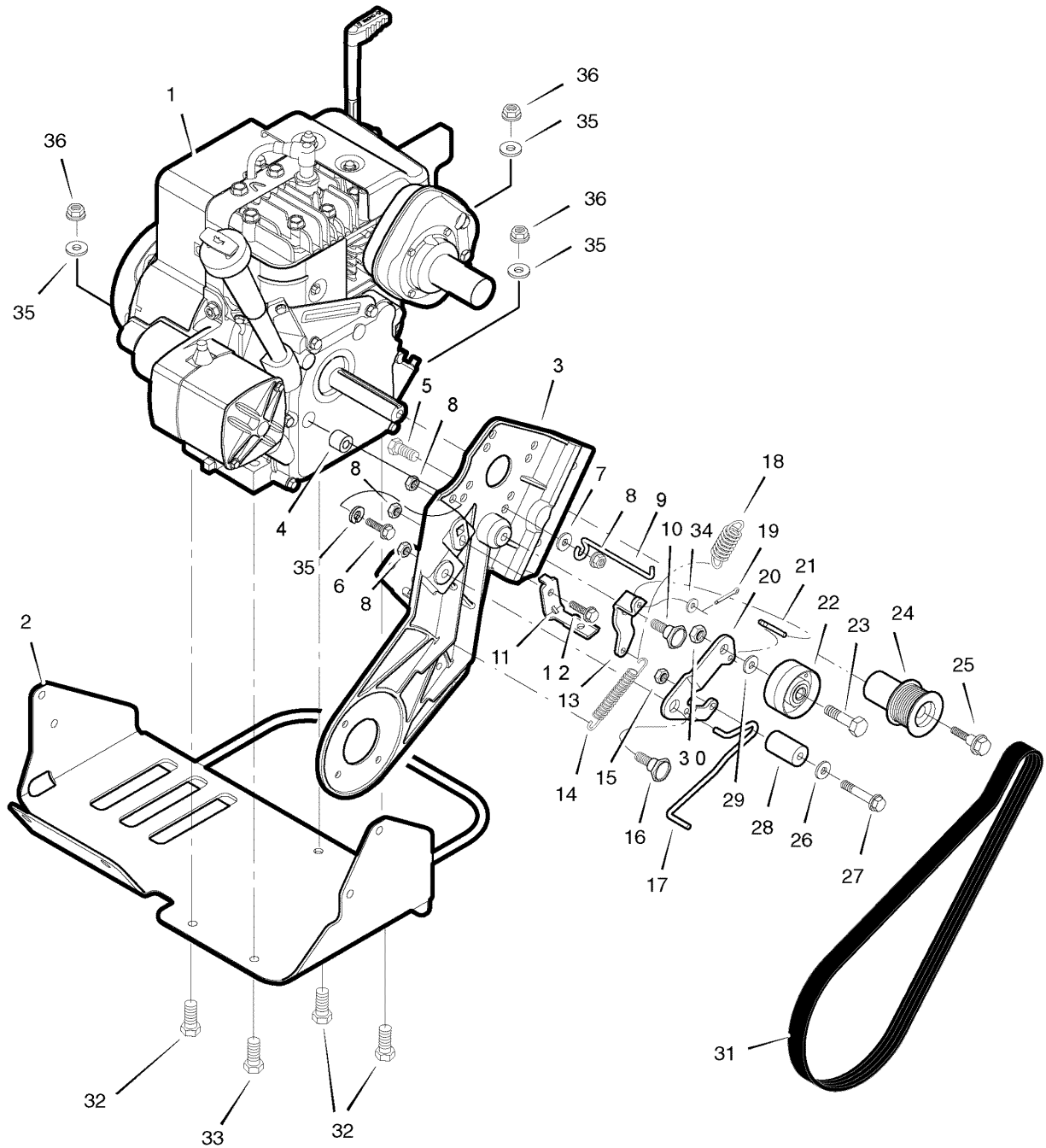


## Engine Drive System Group

Item	Part No	Qty	Description	Note
1		1	* ENGINE, 5HP 4CY B&S Model 09A413-0202-E1	
1		1	* ENGINE, 5HP 4CY B&S Model 09A413-0203-E1	
2	722304	1	CRADLE ASSEMBLY, Engine	
3	722321	1	FRAME, Left Hand	
4	722360	1	ANTIVIBRATION MOUNT, Engine	
5	727947	1	BOLT, Hex 5/16-18 x 0865	
6	725244	1	BOLT, Hex 5/16-24 x 1.125	
7	725331	1	WASHER, Flat	
8	725408	4	LOCKNUT, Hex Center 5/16-18	
9	723651	1	GUIDE, Belt	
10	723625	1	BOLT, Hex Head Shank 5/16-1/2 x 11/64	
11	723648	1	PAD, Brake	
12	728095	1	SCREW, 1/4-20 x 5/8	
13	727078	1	IDLER, Arm Pivot	
14	723264	1	SPRING, Extension 3/8 O.D. X .039W	
15	725429	1	NUT, Hex 1/4-20	
16	723625	1	BOLT	
17	722046	1	WIRE, Brake	
18	723263	1	SPRING, Extension .75 O.D. x .06	
19	727500	1	PIN, Cotter	
20	723409	1	ARM, Idler	
21	723256	1	ROD, Clutch Linkage	
22	724085	1	PULLEY, Idler	
23	723012	1	SCREW, 3/8-16 x 1.50	
24	722331	1	PULLEY, Model 9 Engine	
25	722330	1	BOLT, Engine Pulley	
26	725330	1	WASHER, Flat	
27	727940	1	SCREW, 1/4-20 x 2.00	
28	729335	1	PINCH ROLLER	
29	722944	1	WASHER, Flat	
30	724840	1	NUT, Hex	
31	724870	1	BELT, Drive	
32	720025	3	BOLT, Hex 5/16-18	
33	724071	1	SCREW, 3/8-16 x 1.00	
34	723979	1	WASHER, Flat	
35	725326	4	LOCKWASHER, Split	
36	725320	3	NUT, 5/16-18	

### Footnotes:

Note: \* For information on Replacement Parts contact the engine manufacturer.





## **Engine Drive System Group**

---

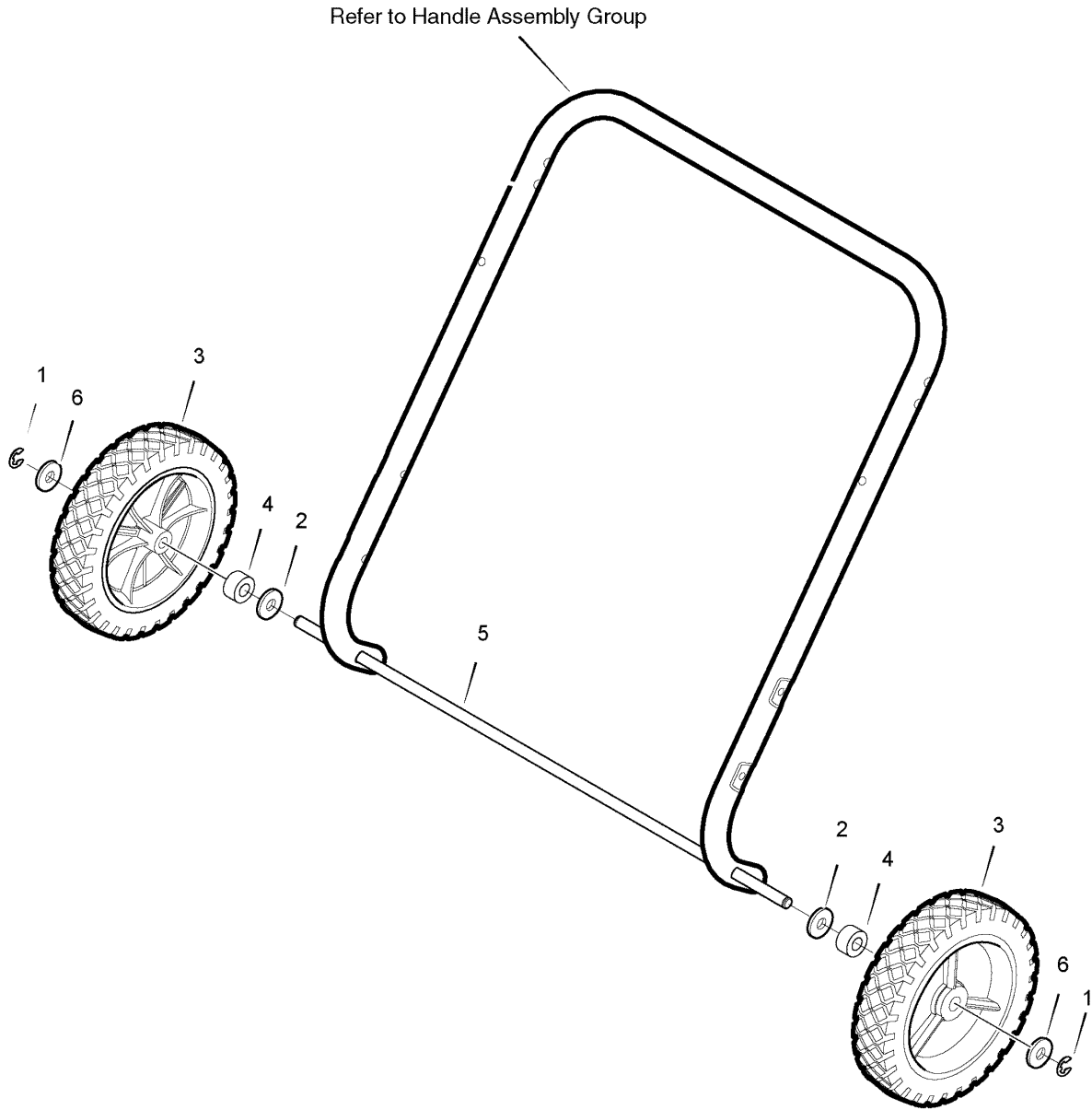
<b>Item</b>	<b>Part No</b>	<b>Qty</b>	<b>Description</b>	<b>Note</b>
	1740284	1	INSTRUCTION BOOK (Not shown)	

### **Footnotes:**

Note: \* For information on Replacement Parts contact the engine manufacturer.

**Wheel Assembly Group**

---



## **Wheel Assembly Group**

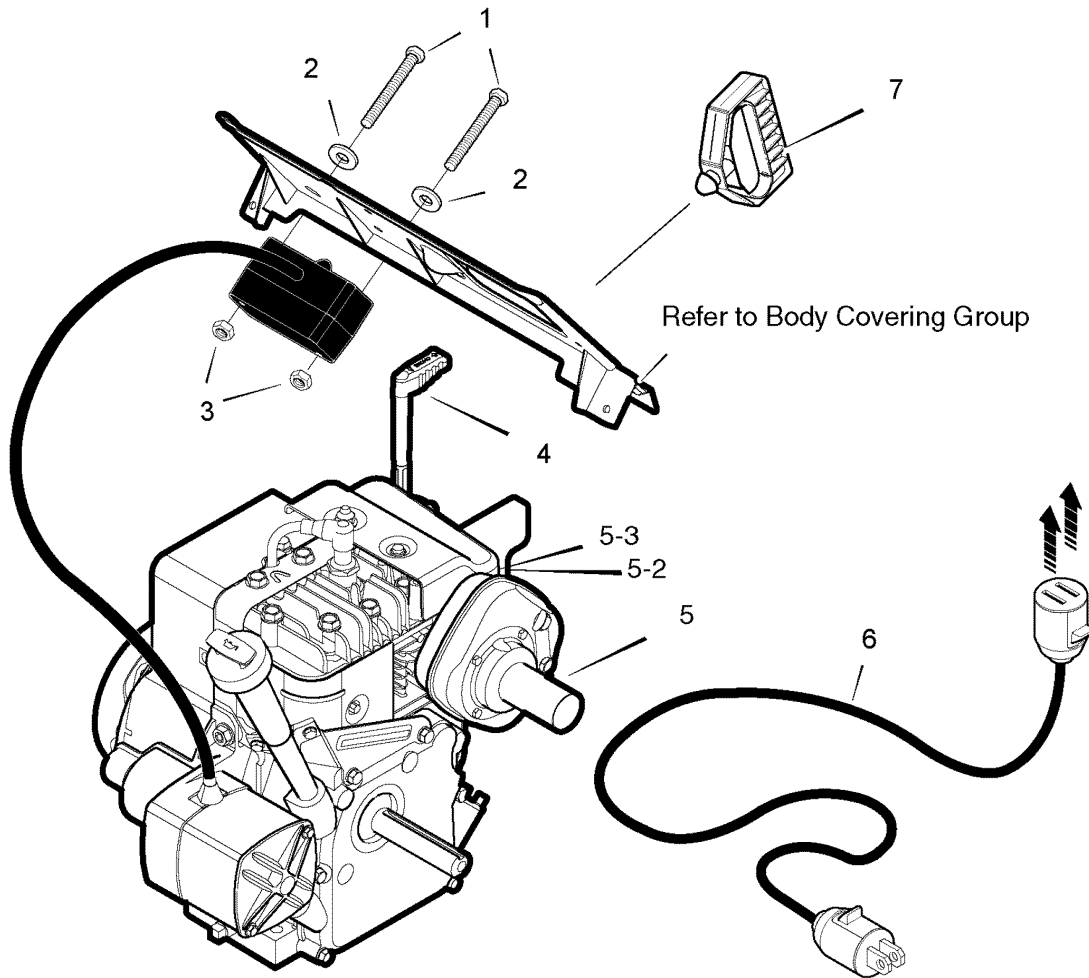
---

<b>Item</b>	<b>Part No</b>	<b>Qty</b>	<b>Description</b>	<b>Note</b>
1	724559	2	RETAINER, E-Ring	
2	725332	2	WASHER, Flat 13/32 x 13/16	
3	725603	2	WHEEL & TIRE 7" x 1.50"	
4	723192	2	SPACER, Sleeve 13/32 x 5/8	
5	722328	1	Rod, Axle	
6	724750	2	WASHER, Flat - 25/64 x 1.00 x 1/8	

**Footnotes:**

**Electric Starter Group**

---



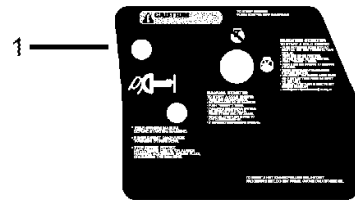
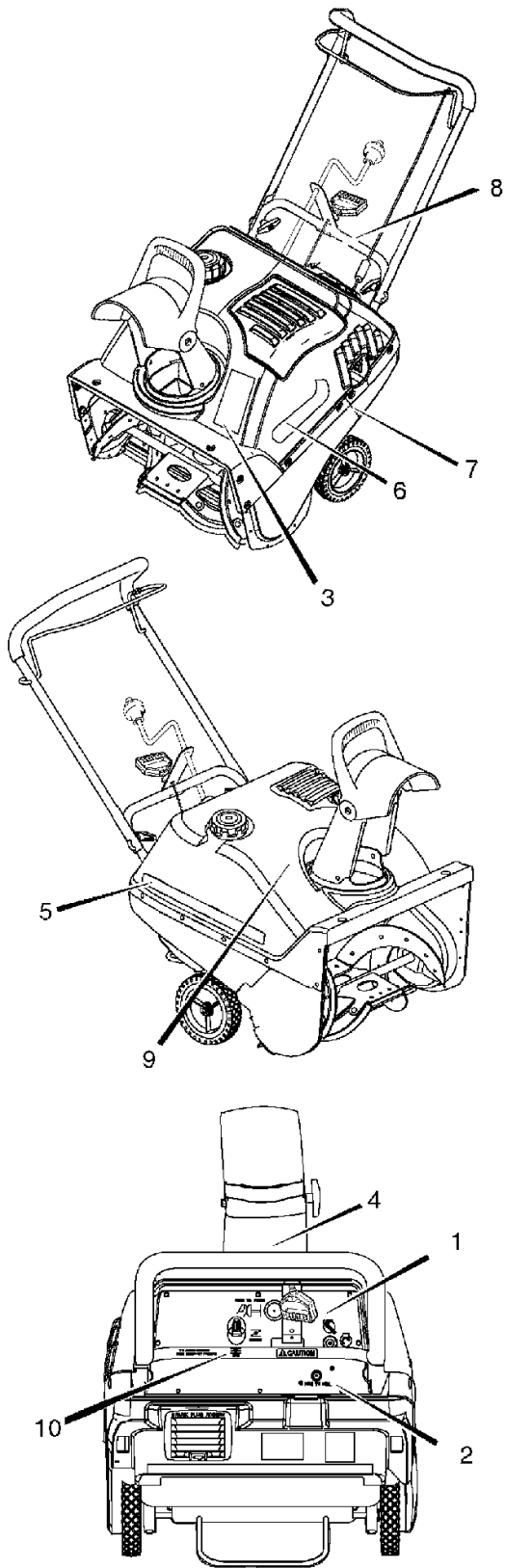
## Electric Starter Group

---

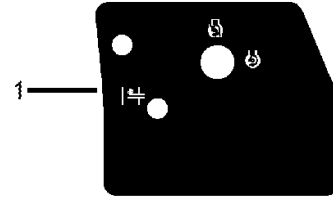
Item	Part No	Qty	Description	Note
1	723237	2	SCREW, No. 8-32 x 3.00	
2	723979	2	WASHER, FLAT No. 8	
3	722892	2	NUT, Keps No. 8	
4	791534	1	* LEVER, Choke	
5	698855	1	* KIT, Muffler Assembly	
5-2	691880	1	* GASKET, Muffler	
5-3	727915	1	* BOLT, Muffler	
6	724865	1	CORD, Electric 110V 10 Feet	
6	728168	1	CORD, Electric 220V 10 Feet	
7	699334	1	GRIP, Starter Rope	

### Footnotes:

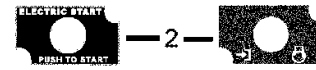
Note: \* For information on Replacement Parts contact the engine manufacturer.



North American - Danger / Warning  
Main Dash Decal



CE - Danger / Warning  
Main Dash Decal



North American -  
Electric Start Decal

CE - Electric Start  
Decal



North American -  
Auger Danger Decal



CE - Auger Danger  
Decal



North American -  
Unclogging Chute  
Danger Decal



CE - Chute Danger  
Decal



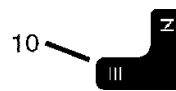
North American -  
Hot Surface Decal



CE - Hot Surface  
Danger Decal



North American - Auger Decal



All - Choke Decal

## Decals Group

Item	Part No	Qty	Description	Note
1	1740428	1	DECAL, Control Panel English 22"	<i>Used on Domestic Engines</i>
1	1740400	1	DECAL, Control Panel	<i>CE/Export</i>
2	724265	1	DECAL, Electric Start	<i>Used on Domestic Engines</i>
2	729693	1	DECAL, Electric Start	<i>CE/Export</i>
3	725257	1	DECAL, Danger Auger	<i>Used on Domestic Engines</i>
3	729457	1	DECAL, Danger Auger	<i>CE/Export</i>
3	729460	1	DECAL, Auger Engine	<i>CE/Export</i>
4	724267	1	DECAL, Danger Chute	<i>Used on Domestic Engines</i>
4	729456	1	DECAL, Danger Chute	<i>CE/Export</i>
5	1741389	1	DECAL, Snapper ST0522 R.H.	<i>Used on Domestic Engines</i>
5	1741395	1	DECAL, Snapper SS522EX Right Hand	<i>CE/Export</i>
6	1740368	1	DECAL, Snapper ST0522 L.H.	<i>Used on Domestic Engines</i>
7	727742	1	DECAL, Hot Muffler	<i>Used on Domestic Engines</i>
7	729461	1	DECAL, Hot Surface	<i>CE/Export</i>
8	727378	1	DECAL, Auger Control	<i>Used on Domestic Engines</i>
9	729555	1	DECAL, Briggs & Stratton	<i>(Located on Engine)</i>
10	1740422	1	DECAL, Choke	<i>Used on Domestic Engines</i>
	1740187	1	MANUAL, Instruction Book (Not shown)	
	7006053	1	MANUAL, Parts List (Not shown)	

### Footnotes:







*Parts Manual for*

# **SNAPPER®**

## **522 SINGLE STAGE SNOW THROWER SERIES 0**

IT IS THE POLICY OF BRIGGS & STRATTON CORP. TO IMPROVE ITS  
PRODUCTS WHENEVER IT IS POSSIBLE AND PRACTICAL TO DO SO.  
WE RESERVE THE RIGHT TO MAKE CHANGES OR ADD  
IMPROVEMENTS AT ANY TIME WITHOUT INCURRING ANY OBLIGATION  
TO MAKE SUCH CHANGES ON PRODUCTS MANUFACTURED

**Briggs & Stratton Yard Power Products Group**

535 Macon Road  
McDonough, GA, 30253 U.S.A.  
800-935-2967

[www.snapper.com](http://www.snapper.com)

Copyright © 2008 Briggs & Stratton Corporation  
Milwaukee, WI USA. All Rights Reserved

**Manual No. 7006053**  
**Revision B, 4/28/2008**  
**TP 400-5245-B-SX-N**