



# Inserting an EPA into a Modular Gigabit Ethernet Line Card

December 16, 2005

Document Part Number: 78-17296-01 A0

To insert an EPA into the Modular Gigabit Ethernet line card, follow these steps:



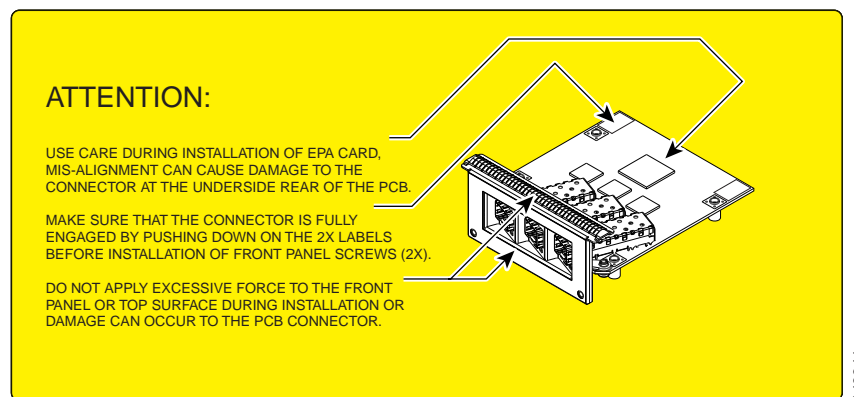
**Warning**

You must use an ESD-preventive wrist or ankle strap to do this procedure. Attach an ESD-preventive wrist or ankle strap and follow its directions for use, before you do this procedure.

**Step 1**

First, read the yellow caution label on the EPA. [Figure 1](#) shows a sample of this caution label.

**Figure 1** Locations of Labels and Reference Points on the EPA

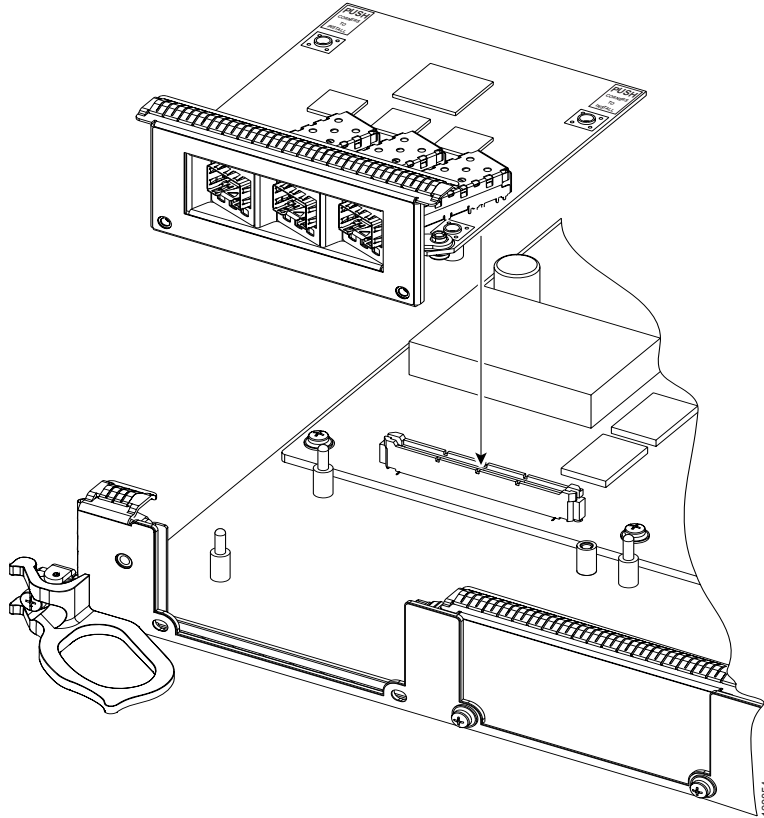


**Caution**

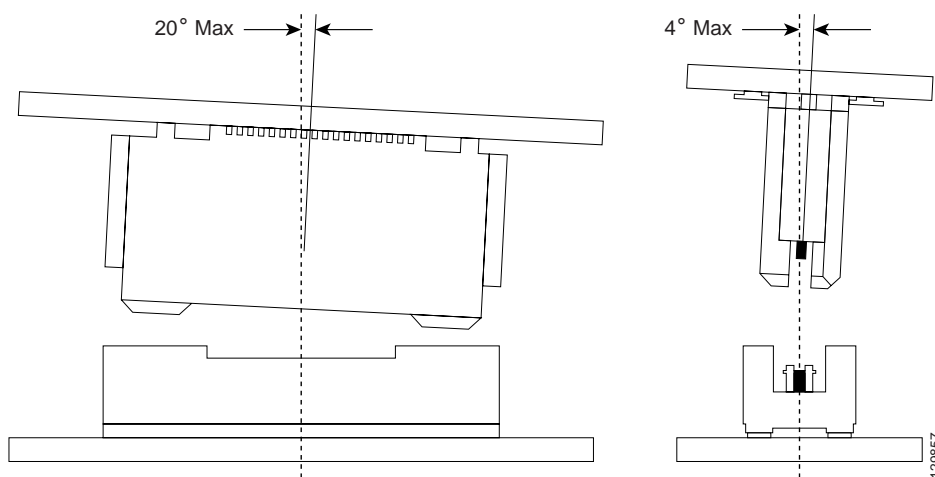
The connectors must be engaged without any angular misalignment. Engaging the connectors at an angle will cause damage to the connectors.

**Step 2** Ensure that the connector guide pins are aligned, and mate the connector of the EPA to the connector on the line card, as shown in [Figure 2](#) and [Figure 3](#). [Figure 3](#) shows two side views of the EPA and line card.

**Figure 2** *Mating the Connector of the EPA to the Line Card*

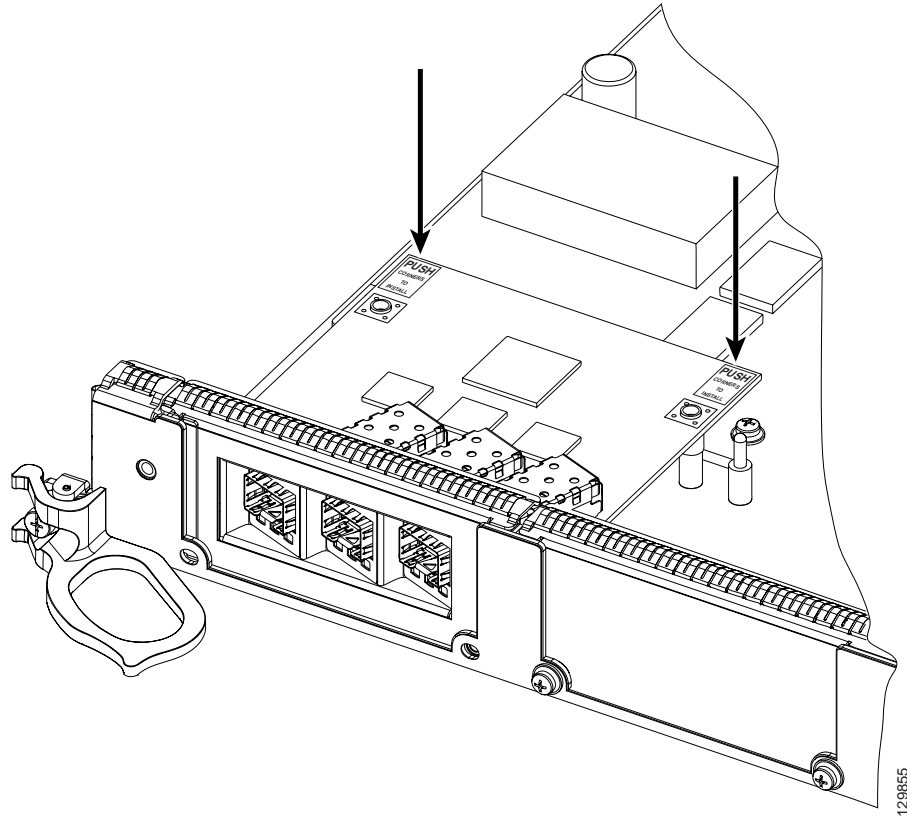


**Figure 3** *Side Views - Mating the Connector of the EPA to the Line Card*

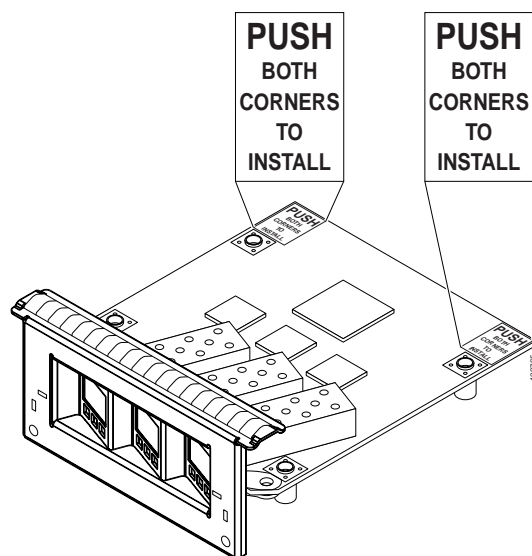


**Step 3** Ensure that the connector guide pins are aligned. Once the connector is engaged, apply gentle pressure with your thumbs to the two rear outer corners of the EPA, as shown in [Figure 4](#) and [Figure 5](#).

**Figure 4** Press on the Rear Outer Corners of the EPA

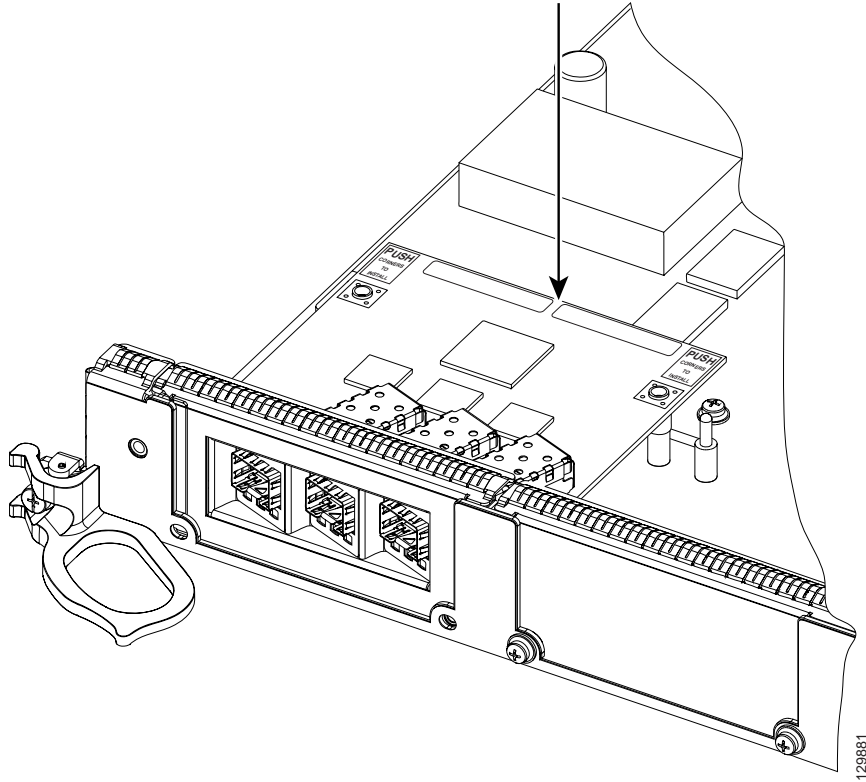


**Figure 5** Rear Outer Corners of the EPA (Close-up)



- Step 4** Press gently on the white labels in middle of the outer edge of the EPA as shown in [Figure 6](#) to ensure that the connector is fully seated.

*Figure 6 Press on the White Labels on the EPA*



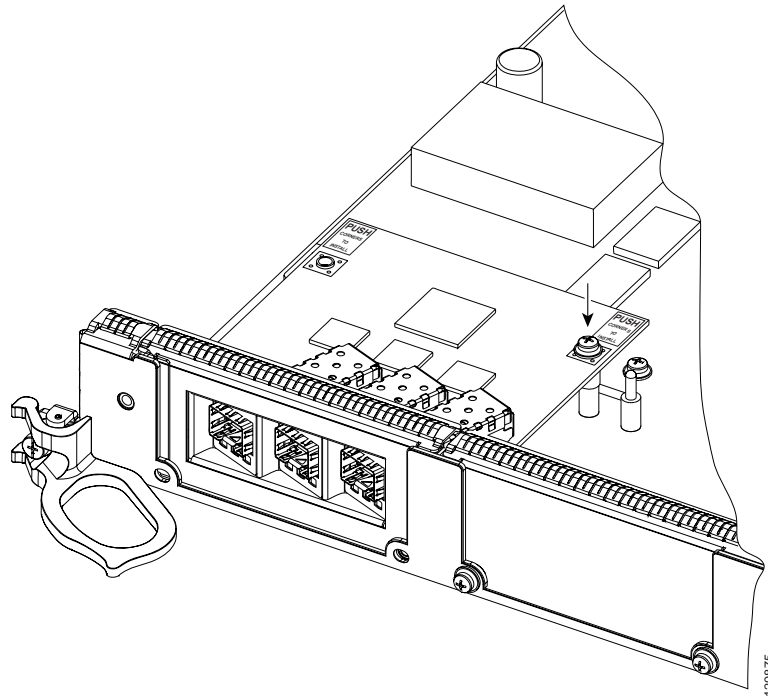
**Step 5** Use a Phillips screwdriver to insert and tighten the screw on the EPA, 3 to 5 in-lbs, as shown in [Figure 7](#).



**Caution**

Apply no more than 5 in-lbs of torque when tightening the screw.

*Figure 7 Inserting and Tightening the Screw on the EPA*



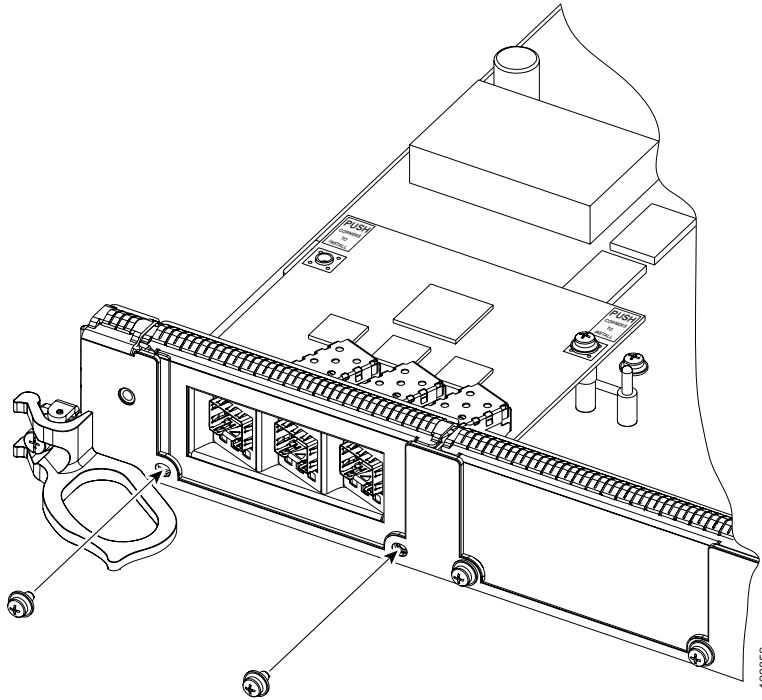
**Step 6** Use a Phillips screwdriver to insert and tighten the two screws on the faceplate of the line card, 3 to 5 in-lbs, as shown in [Figure 8](#).



**Caution**

Apply no more than 5 in-lbs of torque when tightening the screw.

*Figure 8 Inserting the 2 screws on the Faceplate of the Line Card*



CCSP, CCVP, the Cisco Square Bridge logo, Follow Me Browsing, and StackWise are trademarks of Cisco Systems, Inc.; Changing the Way We Work, Live, Play, and Learn, and iQuick Study are service marks of Cisco Systems, Inc.; and Access Registrar, Aironet, ASIST, BPX, Catalyst, CCDA, CCDP, CCIE, CCIP, CCNA, CCNP, Cisco, the Cisco Certified Internetwork Expert logo, Cisco IOS, Cisco Press, Cisco Systems, Cisco Systems Capital, the Cisco Systems logo, Cisco Unity, Empowering the Internet Generation, Enterprise/Solver, EtherChannel, EtherFast, EtherSwitch, Fast Step, FormShare, GigaDrive, GigaStack, HomeLink, Internet Quotient, IOS, IP/TV, iQ Expertise, the iQ logo, iQ Net Readiness Scorecard, LightStream, Linksys, MeetingPlace, MGX, the Networkers logo, Networking Academy, Network Registrar, *Packet*, PIX, Post-Routing, Pre-Routing, ProConnect, RateMUX, ScriptShare, SlideCast, SMARTnet, StrataView Plus, TeleRouter, The Fastest Way to Increase Your Internet Quotient, and TransPath are registered trademarks of Cisco Systems, Inc. and/or its affiliates in the United States and certain other countries.

All other trademarks mentioned in this document or Website are the property of their respective owners. The use of the word partner does not imply a partnership relationship between Cisco and any other company. (0502R)

© 2005 Cisco Systems, Inc. All rights reserved.