



Warnings and Precautions



This symbol, located on back or bottom of the unit, is intended to alert the user to the presence of uninsulated “dangerous voltage” within the product’s enclosure that may be of sufficient magnitude to constitute a risk of electric shock to persons.

CAUTION: TO PREVENT ELECTRIC SHOCK, MATCH WIDE BLADE OF PLUG TO WIDE SLOT, FULLY INSERT.

To reduce the risk of electric shock, do not remove cover (or back). There are no user-serviceable parts inside. Please refer any servicing to qualified service personnel.

WARNING: Changes or modifications to this unit not expressly approved by the party responsible for compliance could void the user’s authority to operate the equipment.

WARNING: To prevent fire or shock hazards, do not expose this unit to rain or moisture.

Do not mix old and new batteries.

Do not mix alkaline, standard (carbon-zinc), or rechargeable (ni-cad, ni-mh, etc) batteries.

NOTE: This equipment has been tested and found to comply with the limits for a Class B digital device, pursuant to Part 15 of the FCC Rules. **These limits are designed to provide reasonable protection against harmful interference in a residential installation. This equipment generates, uses, and can radiate radio frequency energy and, if not installed and used in accordance with the instructions, may cause harmful interference to radio communications. However, there is no guarantee that interference will not occur in a particular installation. If this equipment does cause harmful interference to radio or television reception, which can be determined by turning the equipment off and on, the user is encouraged to try to correct the interference by one or more of the following measures:**

- Reorient or relocate the receiving antenna.
- Increase the separation between the equipment and receiver.
- Connect the equipment into an outlet on a circuit different from that to which the receiver is connected.
- Consult the dealer or an experienced radio/TV technician for help.

Service Information

Address: 2116 Carr Street, St. Louis MO, 63106
Phone: 1-314-621-2881
Fax: 1-314-588-1805
Email: prodinfo@gpx.com
Website: www.gpx.com
Version: v. 112808

Parts Information

Address: 2116 Carr Street, St. Louis MO, 63106
Phone: 1-314-621-2881
Fax: 1-314-588-1805
Email: partsinfo@dpi-global.com

To download this Instruction Manual in English, Spanish, or French visit the Support section at www.gpx.com.

Para descargar este manual de instrucción en inglés, español, o francés visite la sección de la ayuda en www.gpx.com.

Pour télécharger ce manuel d’instruction en anglais, espagnol, ou le Français visitez la section de soutien à www.gpx.com.

In the Box

- MW249S/MW249P/MW249BU/MW249PR
- USB Cable
- 1 Set of Stereo Earbuds
- Documentation

Features

Digital Audio Player with 2GB* Installed Flash Memory

- Virtual Hard Drive - USB Mass Storage
- The amount of memory your OS reports may vary from the stated memory of this device

Audio Support

- mp3 / WMA™ / WMA™ DRM Playback
- Playback Features
- Play / Pause
- Skip / Search
- Digital Volume control
- HOLD Feature
- Preset EQ

External Memory Support

- SD/MMC Card Expansion Slot
- White Backlit LCD Display
- ID3 Tag Compatible

Jacks

- Mini USB Connection, USB Cable, included
- Headphone Jack

Power

- Uses 1 x “AAA” Battery, (not included)

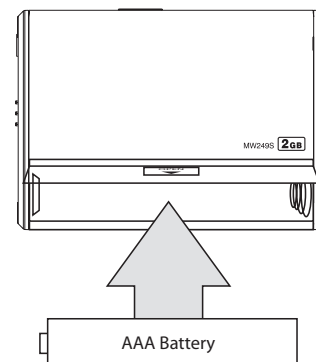
System Requirements

- Windows™ XP
- On-Line WMA™ music downloads with DRM require Windows™ & Windows Media Player™ 10
- Works with Windows Vista®

Powering the Unit

To power the unit, insert one AAA battery into the **Battery Compartment**.

Adjust the **Off/On/Hold Switch** to the *On* position.



Do not mix old and new batteries.

Do not mix alkaline, standard (carbon-zinc), or rechargeable (ni-cad, ni-mh, etc) batteries.

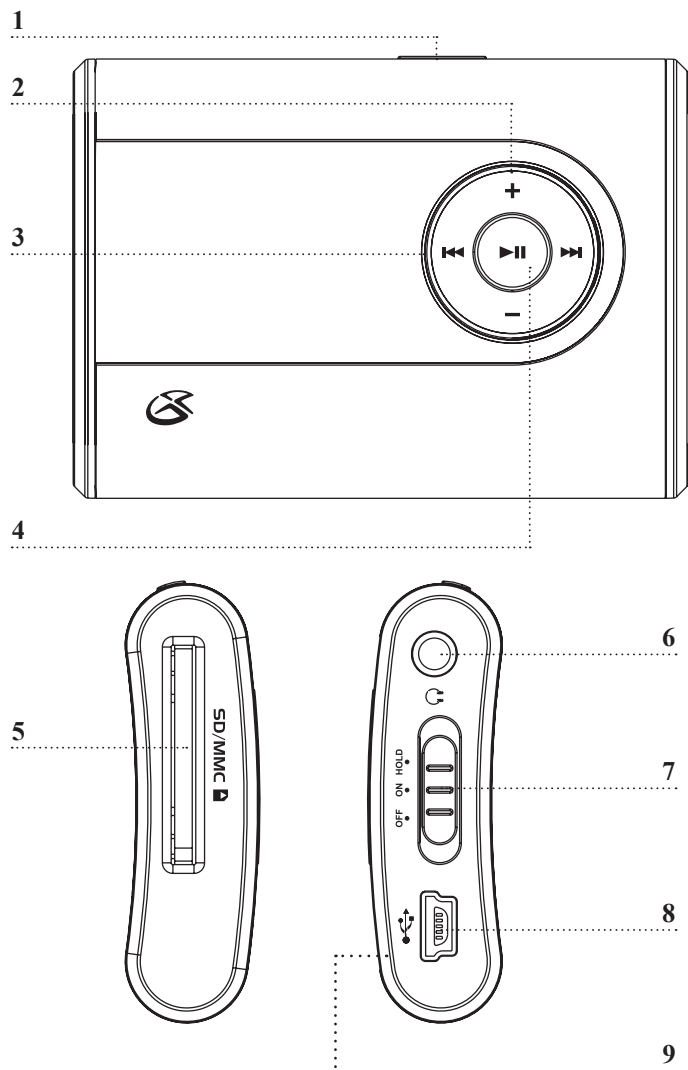
Loading Music onto the Unit using Windows XP or Vista

- Step 1:** Connect the unit to a computer using the included *USB Cable*.
- Step 2:** Press the **Mode Button** to switch the unit to *USB Mode*.
- Step 3:** If prompted, select the option to “Open folder to view files using Windows Explorer”. Otherwise, go to “My Computer”, and double-click on the drive named “GPX”.
- Step 4:** To load music onto the player, simply drag audio files into the opened folder.
- *Support Audio Files: MP3, WMA, and WMA DRM*
 - *Music can also be synced to the unit by using Windows Media Player, version 10 or above. For information on syncing a device with Windows Media Player, open Windows Media Player, and go to the help page.*

Insert an SD or MMC Memory Card

- Step 1:** Adjust the **Off/On/Hold Switch** to the *On* position.
- Step 2:** Slide an SD or MMC memory card into the **Memory Expansion Slot**.

Locations of Controls



Playing Music

- Step 1:** Load music onto the unit, or insert an SD or MMC memory card loaded with music.
- Step 2:** Adjust the **Off/On/Hold Switch** to the *On* position.
- Step 3:** Connect a set of earbuds or headphones to the unit's **Headphone Jack**.
- Step 4:** Press the **Play/Pause Button** to begin playing digital audio from the player or a loaded SD or MMC memory card.
- Step 5:** Press the **Mode Button** to switch from *Normal Play Mode, Repeat 1 Mode, Repeat All Mode, or Random Mode*.
- Step 6:** Press the **Skip/Search Buttons** to skip between different audio tracks. Press and hold the **Skip/Search Buttons** to search through an individual audio track.
- Step 7:** Adjust the **Off/On/Hold Switch** to the *Hold* position to lock the buttons on the unit. Audio will continue to play while in *Hold Mode*, but none of the unit's buttons will respond until the unit is switched back to *On Mode*.

Searching for Music on the Unit

- Step 1:** While playing music on the unit, press the **Play/Pause Button** to pause the unit.
- Step 2:** Press and hold the **Mode Button** to access the *Search* feature.
- Step 3:** Press the **Mode Button** to search by *Filename, Song, Artist, or Album*.
- Step 4:** Press the **Play/Pause Button**.
- Step 5:** Press the **Skip/Search Buttons** to change the characters, and press the **Mode Button** to select the chosen character.
- Step 6:** Repeat step 5 until the filename, song, artist, or album you are searching for has been spelled, then press the **Play/Pause Button**.

Control Definitions

- Mode Button**

Press the Mode Button to switch between *Normal Play Mode, Repeat 1 Mode, Repeat All Mode, and Random Play Mode*.

In *Pause Mode* press and hold the Mode Button to access the search feature.

In *Stop Mode* press the Mode Button to select “In Card” (accesses files on a loaded memory card) or “In Flash” (accesses files stored on the unit).

In *Play Mode*, press and hold the Mode Button to cycle through EQ settings.
- Volume Buttons**

Press the Volume Buttons to adjust volume of audio output from the unit.
- Skip/Search Buttons**

Press the Skip/Search Buttons to skip between audio tracks

Press and hold the Skip/Search Buttons to search through an individual audio track.
- Play/Pause Button**

Press the Play/Pause Button to play a selected audio track.

Press the Play/Pause Button to pause an audio track during play.
- SD/MMC Memory Card Slot**

Insert an SD or MMC Memory Card into the card slot to access audio files stored on that card using the unit.
- Headphone Jack**

Connect a set of earbuds or headphones to the Headphone Jack to listen to audio output from the unit.
- Off/On/Hold Switch**

Adjust the Off/On/Hold Switch to the *Off* position to turn the unit off.

Adjust the Off/On/Hold Switch to the *On* position to turn the unit on.

Adjust the Off/On/Hold Switch to the *Hold* position to lock the buttons on the unit from being accidentally pressed.
- Mini-USB Connection**

Use the Mini-USB Connection to connect the unit to a computer.
- Battery Compartment (Requires 1 AAA Battery, not included)**