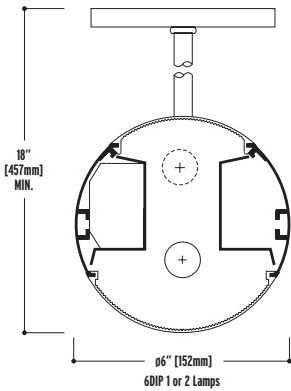


## CIRQUE 6-DIP

DIRECT-INDIRECT

- Direct-indirect light distribution.
- Extruded aluminum housing.
- Nominal 3', 4', 6' and 8' illuminated sections.
- Runs to any length.
- Diffusers – radial baffle and/or acrylic ribbed lens
- Die cast end caps.
- Custom finishes available by special order.



### ORDERING INFORMATION:

Sample number: 6-DIP-1T8-SC40-1EB-SI-EM-S14

**Series**  
6=Cirque

**Light Output**  
DIP=Direct-Indirect Pendant

**Number of Lamps** (per cross section) (not included)  
1=1 Lamp                      1x1=2 Lamps                      1x2=3 Lamps

**Lamp Type**  
T8                      T5                      T5H0

**Pendant Type**  
ST=Single Stem<sup>2</sup>                      SC=Single Cable

**Run Length**  
Overall Nominal Run Length\_\_ft. (Any combination of 8', 6', 4' and 3' sections)

**Voltage<sup>1</sup>**  
1=120V                      2=277V                      3=347V                      U=Universal

**Ballast**  
EB=Electronic Ballast (Standard)                      DB=Dimming Ballast

**Switching**  
SI=Single Switching                      DU=Dual Switching

**Emergency**  
EM=Emergency Pack (Consult Factory)

**Fusing**  
GLR                      GMF

**Shielding**  
S14=Contoured Baffle                      S26=Clear Ribbed Acrylic Lens

<sup>1</sup> Due to various constraints, some options may not be combined with others.  
<sup>2</sup> Available with 7° or earthquake 45° swivel canopy assembly.

**Construction:** Extruded aluminum housing. Nominal 3', 4', 6' or 8' illuminated sections.

**End Caps:** Die-cast aluminum.

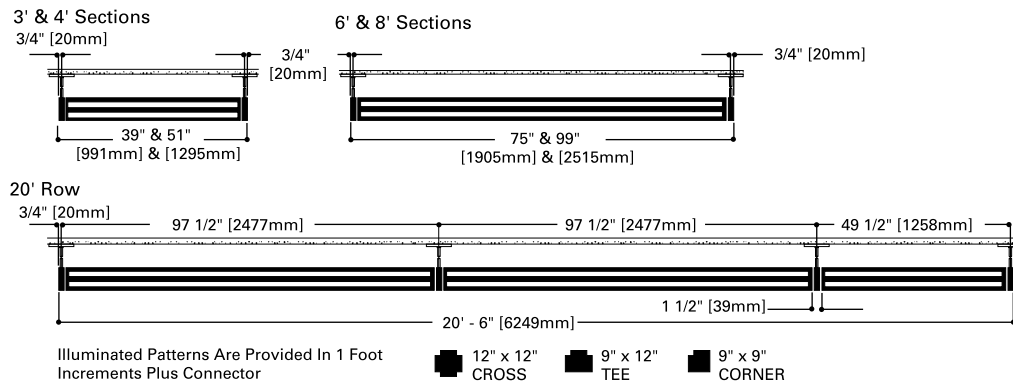
**Shielding:** Clear ribbed acrylic lens or contoured baffle.

**Electrical:** 120, 277, 347 or Universal Voltage electronic ballast. Fixtures and electrical components certified to UL and CUL standards.

**Finish:** Durable, low gloss, white, powder coated acrylic finish.

**Mounting:** Pendant with single stem (standard) or single cable. Canopy: Round 5" diameter.

### ROW CONFIGURATION



NOTES: For complete product data, refer to the Neo-Ray Specification Binder. Specifications and dimensions subject to change without notice. Products may be modified for use in international markets. Please contact your Cooper Lighting Sales Representative for availability and ordering information.