

Electrolux

Factory Parts Catalog

Product No.	E368WV60ES
Series	36" x 18"
Color	stainless
Market	North America
Wiring Diagram	65519
Owner's Guide	5995438586
Installation Instructions	5995438602

Electrolux

Electrolux Major Appliances
North & Latin America
P.O. BOX 212378
AUGUSTA, GA 30917

Publication No.
5995456117
05/12/12
(EN/SERVICE/ECL)
377

RANGE HOOD

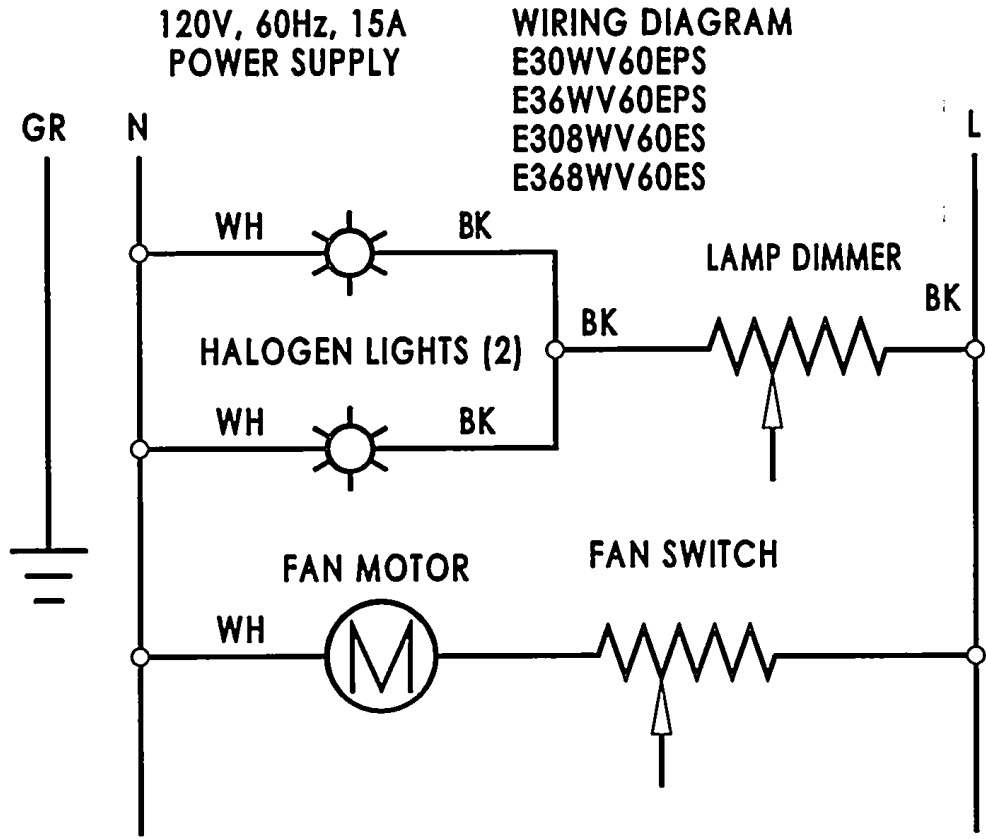
Model No.
E368WV60E

Copyright © 2005 Electrolux Home Products, Inc.
All rights reserved.

REPLACEMENT PARTS

POS. NO	PART NO.	DESCRIPTION
1	5304452403	Damper Assembly, 8"
2	5304453500	Trim, edge
3	5304452409	Bullnose Assembly, 36"
4	5304452450	Nut, hex, 3/8-24, brass
5	5304452463	Trim, lamp
6 #	5304453507	Control Box Assembly, complete
7 #	5304452416	Fan Motor Assembly, EBM
8	5304452459	Front, grime shield, 36"
9	5304453501	Knob, light
10	5304453508	Control Box
11 #	5304452424	Control, speed, 8 amp
12 #	5304452425	Switch, dimmer, light
13	5304452426	Knob, fan
14	5304452427	Insert, knob, fan
15	5304452428	Insert, knob, light
16 #	5304452429	Holder, lamp
17 #	5304448674	Lamp, halogen
18	5304452456	Shield, grime, 36"
21	5304452449	Filter, 11.88" x 15.18"
22	5304453502	Screw, phil TRS, #8 x 3/8
24	5304446015	Nut, hex keps, #8-32
34	5304452454	Screw, #8 x .375"
40 #	5304453510	Block, terminal
41	5304446279	Bushing, heyco, sb-875-11
42	5304446290	Nut, hex keps, #4-40, zinc
43	5304446289	Screw, phil pan hd, #4-40 x .625
* #	5304453503	Harness, light liner

WIRING DIAGRAM



CAUTION: DISCONNECT POWER SUPPLY AT THE FUSE BOX BEFORE SERVICING THIS EQUIPMENT.