

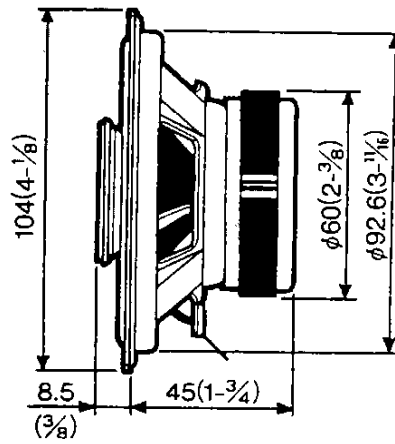
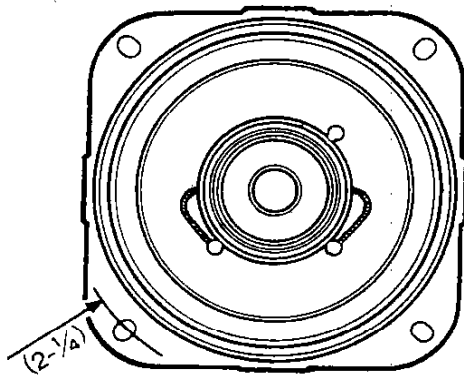
KFC-1023C

SERVICE MANUAL

KENWOOD

©1990-10 PRINTED IN JAPAN
B51-6246-00(B)1397

EXTERNAL VIEW



UNIT: mm (inch)

COPY

SPECIFICATIOIS

Speakers

- Woofer 10cm(4in) Water proof treatment
Cone type 101g(3.6oz) Magnet
- Tweeter 4cm(1-9/16in) cone type
- Peak power 50Watts
- Frequency Response 60Hz~21,000Hz
- Sensitivity 90dB/W at 1m
- Impedance 4 Ohms
- Weight per speaker 0.37Kg(13.1oz)/pc

We follow a policy of advancements in development.
this reason specifications may be changed without notice.

PARTS LIST

* New parts
Parts without **Parts No.** are not supplied.
Les articles non mentionnés dans le **Parts No.**
ne sont pas fournis.
Teile ohne **Parts No.** werden nicht geliefert.

Ref No.	New Parts	Parts No.	Description
		B46-0100-20	WARRANTY CARD
		E30-5059-08	CORD SET
		N99-1088-08	SCREW SET
	*	T15-0179-08	SPEAKER