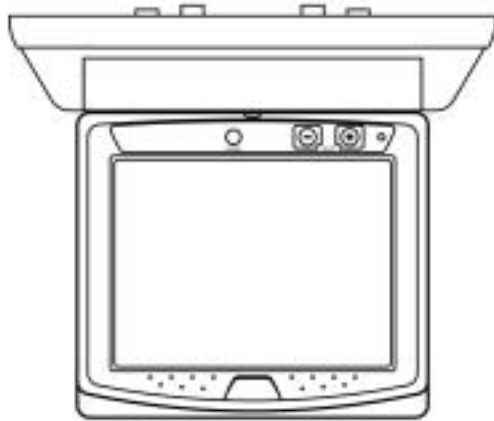
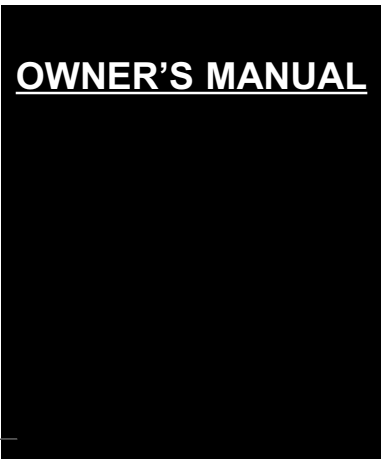


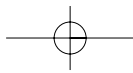


OHM643



***6.4" LCD
Color Monitor***





Clarion OHM643

INTRODUCTION

The Clarion OHM643 is a full-featured 6.4" LCD Color Monitor that can be used as a stand alone monitor, or can be integrated into a mobile multimedia system. The OHM643 has the following features:

- 6.4" color LCD panel
- Universal Roof Mount
- Built-in IR Transmitter
- Built-in IR Eye
- Built-in Dome Lights
- RCA Composite Video Input
- Auto Signal Sensing

ABOUT THE MANUAL AND WARRANTY

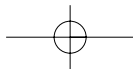
To start enjoying your new Clarion monitor, please read the instructions listed in this manual. Keep all instructions for future reference. Please fill out and send in the enclosed warranty card to protect your purchase and aid in warranty service. Also, save your original sales receipt as proof of purchase.

TABLE OF CONTENTS

Precautions	1
Description	2
Package Contents	2
Button and Connector Locations	2
Wiring Precautions	3
Installation	4
Picture Adjustment	4
Care and Maintenance	4
Product Specs	5
Notes	6

PRECAUTIONS

- The set is for use in DC 12V, negative ground vehicles.
- Do not operate the set in ways other than described in this guide. Doing so may damage it and may void your warranty.
- SAFETY FIRST! For rear seat use only. Do not install on dashboard or anywhere else that would permit monitor to be viewed by the driver. Monitor must never be used in any manner that will distract driver or interfere with the driver's safe operation of the motor vehicle.
- Be careful not to run down the car battery while using the set with the car stopped.
- Do not disassemble or modify the set. Doing so may damage it and voids your warranty.
- Keep drinks and drops from umbrellas away from the set. Water may damage the internal circuitry.
- Do not let the set become hot. If temperature in the car is high or the set has been exposed to direct sunlight and is hot, lower the temperature before using it. (The liquid crystal panel will work properly within a temperature range of +5° ~ +40° C.)



OWNER'S MANUAL

- In extremely cold temperatures, the movement of the picture may be slow and the picture may be dark, but this is not a malfunction. The set will work normally once the temperature increases.
- Small black and shiny dots inside the liquid crystal panel are normal for liquid crystal product.

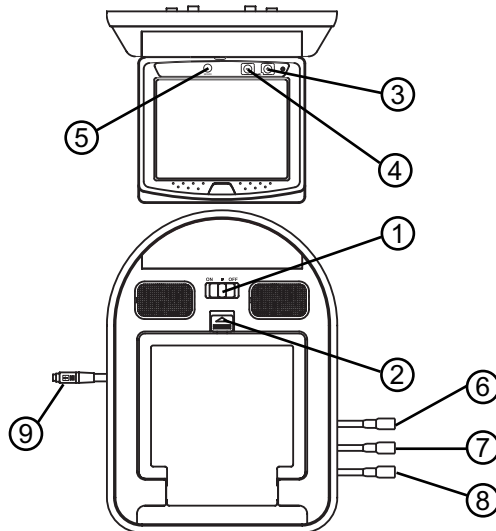
DESCRIPTION

The OHM643 is a TFT active matrix color LCD monitor that delivers a striking picture and superior image resolution. The OHM643 can be used to enjoy video images with the Clarion video sources, even if no TV tuner is connected.

PACKAGE CONTENTS

- 6.4" monitor
- 5m long cable with 5 male connectors (A/V, Power/Ground, 3.5mm IR)
- 50cm 2pin power cable
- Mounting Gasket
- Mounting Bracket
- Hardware
- Owner's Manual
- Warranty Card

BUTTON AND CONNECTOR LOCATIONS



- | | |
|--------------------------|---------------------------|
| ① Dome Light Switch | ⑥ Lamp Power Cord (brown) |
| ② Monitor Release Button | ⑦ Lamp Ground Cord (grey) |
| ③ Picture Select Up | ⑧ Lamp Door Cord (white) |
| ④ Picture Select Down | ⑨ 8 Pin DIN Pigtail |
| ⑤ IR Sensor | |

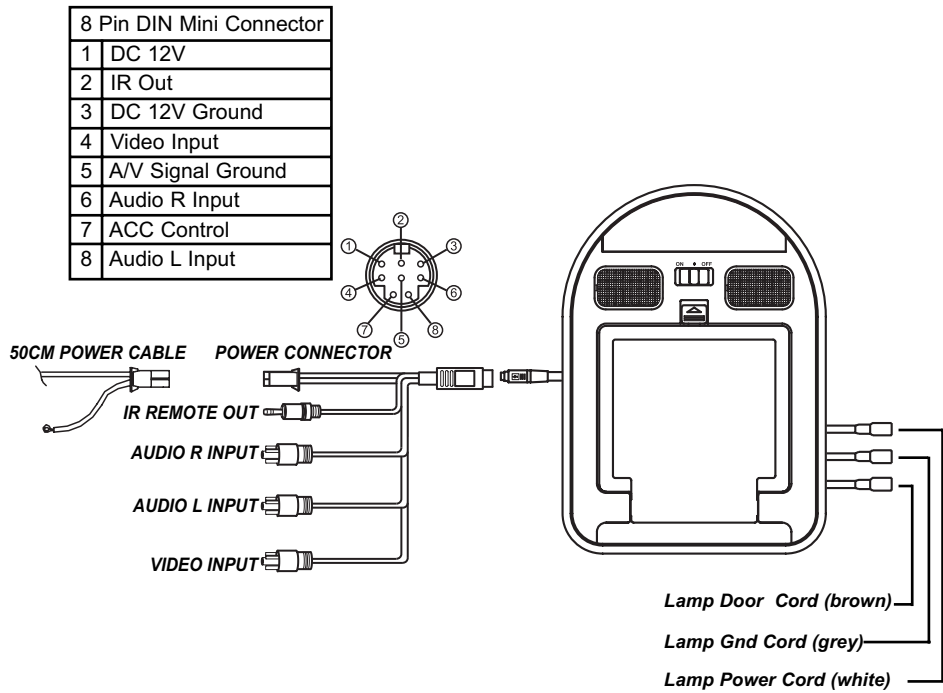
Clarion OHM643

WIRING PRECAUTIONS

Read all wiring precautions. If you are not sure of the connections, contact your authorized Clarion dealer.

1. Disconnect the negative (-) lead of the battery before making any power connections.
2. When creating passage holes for the power wires, use grommets to eliminate any sharp edges created during drilling. This will protect the wire from being nicked and causing a short circuit.
3. When connecting the ground lead, fasten the ground lead (black) securely to a clean metal plate on the vehicle.

NOTE: The OHM643 monitor displays video images only. It does not provide audio output. Refer to the owner's manual of the connected device for information on audio output.

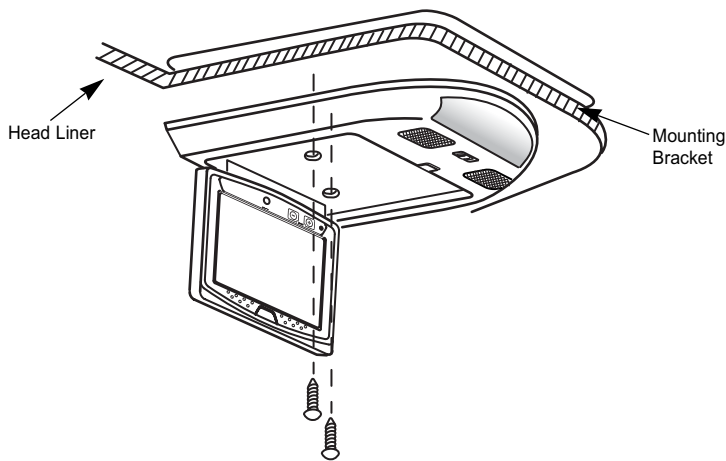


OWNER'S MANUAL

INSTALLATION

The OHM643 is an overhead, fold-down 6.4" monitor with an Infrared (IR) eye. It will accept a video signal from any video source with composite video out. The IR eye will work directly with any Clarion video source product with an IR Eye Input.

1. Look over the vehicle for a location for the monitor. Each vehicle is different and locations will vary. Make sure the monitor will not interfere with the driver.
2. Once a location has been determined, connect the IR, A/V RCAs and power cables to the designated sources.
3. Screw the bracket to the headliner. Use short screws so as not to damage the roof.
4. Plug the cable into the monitor's 8 Pin Din connector. Mount the monitor with the provided hardware.



PICTURE ADJUSTMENT

To adjust the picture brightness, use the Brightness UP and DOWN buttons located on the front panel of the OHM643. Press the UP button to increase the picture brightness. Press the DOWN button to decrease the picture brightness.

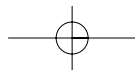
CARE AND MAINTENANCE

Cleaning the cabinet:

- Use a soft, dry cloth to gently wipe off any dirt.
- Do not use benzene, thinner, car cleaner, etc., as these substances may damage the cabinet or cause the paint to peel.

Cleaning the LCD panel:

- Use a soft, dry cloth to gently wipe off any dust.
- The surface is easily scratched; do not rub it with hard objects.



Clarion OHM643

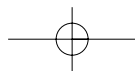
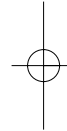
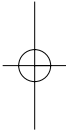
SPECIFICATIONS

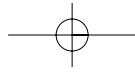
GENERAL SPECIFICATIONS:

Power Requirement:	DC 12V (9-16V)
Power Consumption:	0.8A Max. (0.8A or Less)
Weight:	2.2 lb. (1.0kg)
Dimensions:	9.1" x 12.7" x 1.9" (230 x 322 x 48mm) (W x H x D)
Operation Temperature:	+5° ~ +40° C.
Supplied Accessories:	Extension Cable with (male connectors A/V Input, Power Connector, 3.5mm IR Remote Out), Mounting Gasket, Mounting Bracket, Screws 2pin Power Cable

MONITOR SPECIFICATIONS:

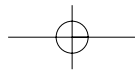
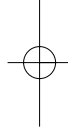
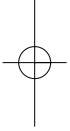
Display Type:	Color TFT Active Matrix LCD
Screen Size:	6.4" (Actual Panel Size)
Pixels:	960 x 234
Screen Resolution:	224,640 Dots
Video System:	NTSC/PAL

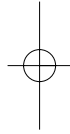
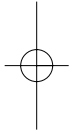
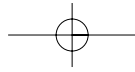




OWNER'S MANUAL

NOTES:





Clarion Co., Ltd.

OHM643-10 Rev.0 (11/00)

