



**NURSERY WAGON WITH
WOOD SIDES
MODEL H3029
INSTRUCTION SHEET**



COPYRIGHT © AUGUST, 2005 BY GRIZZLY INDUSTRIAL, INC.
**WARNING: NO PORTION OF THIS MANUAL MAY BE REPRODUCED IN ANY SHAPE
OR FORM WITHOUT THE WRITTEN APPROVAL OF GRIZZLY INDUSTRIAL, INC.**
#BL7380 PRINTED IN CHINA

PARTS INVENTORY

The Model H3029 Nursery Wagon with Wood Sides was carefully packed when it left our warehouse. If you discover this wagon is damaged after you have signed for delivery, *please immediately call Customer Service at (570) 546-9663 for advice.*

Save the containers and all packing materials for possible inspection by the carrier or its agent. *Otherwise, filing a freight claim can be difficult.*

When you are completely satisfied with the condition of your shipment, you should inventory the contents.

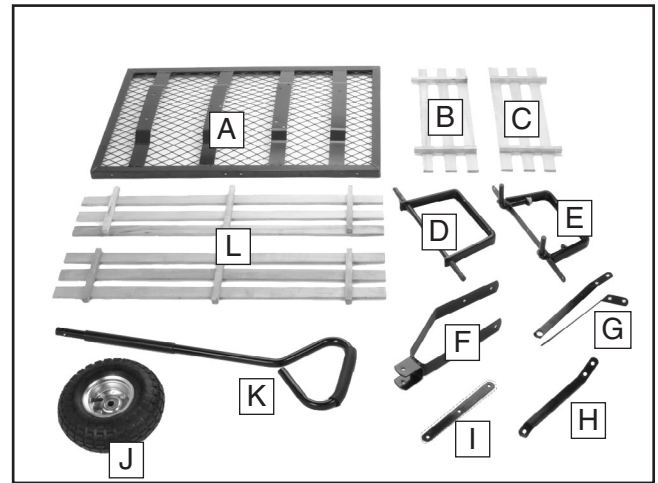


Figure 1. Main contents.

Figure 1 - Main Contents

A.	Bed	1
B.	Front Panel.....	1
C.	Rear Panel	1
D.	Rear Axle Assembly.....	1
E.	Front Axle Assembly	1
F.	Steering Bracket	1
G.	Rear Axle Braces	2
H.	Steering Braces.....	2
I.	Steering Bar	1
J.	Tires 4.10/3.50 (only one shown).....	4
K.	Pull Handle.....	1
L.	Side Panels	2
M.	Bolt Bag 1 (not shown).....	1
	—Cotter Pins 3mm x 40mm.....	5
	—Flat Washers 16mm	4
	—Hex Bolts M8-1.25 x 20	10
	—Flat Washers 8mm	11
	—Lock Nuts M8-1.25	11
	—Hex Bolt M6-1 x 16.....	3
	—Hex Bolt M6-1 x 20.....	1
	—Flat Washers 6mm	4
	—Lock Nuts M6-1	4
	—Slot Head Screw M8-1.25 x 60.....	1
	—Plastic Coupling.....	1
N.	Bolt Bag 2 (not shown).....	1
	—Metal Brackets.....	10
	—Acorn Nuts M6-1.....	20
	—Flat Washers 6mm	20
	—Flat Head Screws M6-1 x 16	20

! WARNING

Children may climb into plastic bags and suffocate. Keep all plastic bags included in packaging out of the reach of children.

! CAUTION

Adult supervision is always required while this wagon is being used by children.

ASSEMBLY INSTRUCTIONS

FRONT AXLE ASSEMBLY

1. With the bed turned upside down, fasten the front and rear axles (**Figure 2**) to the bed with four M8-1.25 x 20 hex bolts, flat washers, and lock nuts. The hex nuts should face up and the front axle steering supports should point toward the rear of the cart.

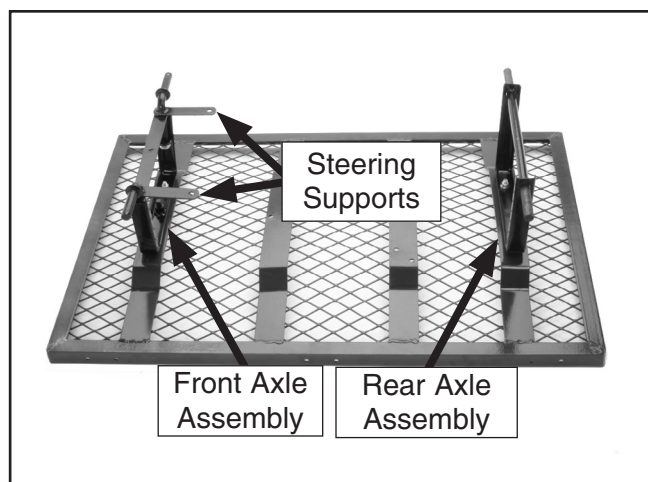


Figure 2. Axles mounted to the bed.

2. Place the steering bracket (**Figure 3**) over the front axle so the longer length of the bracket lays over the top of the axle, insert the front axle stud (**Figure 3**) through the short length of the bracket, and secure with a cotter pin.

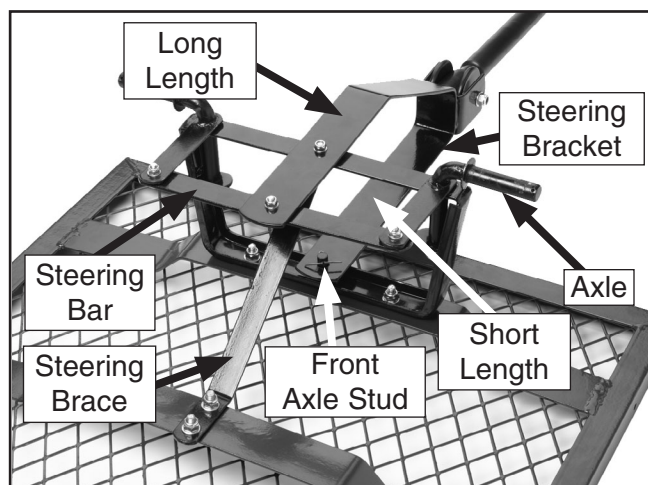


Figure 3. Front axle assembly.

3. Fasten the steering brace to the bed with two M8-1.25 x 20 hex bolts, flat washers, and lock nuts.
4. Insert an M6-1 x 20 hex bolt through the steering brace, the axle, and the steering bracket and secure with a flat washer and lock nut.
5. Place the steering bar under the steering supports and steering bracket, and secure with M6-1 x 16 hex bolts, flat washers, and lock nuts as shown in **Figure 3**.

REAR AXLE ASSEMBLY & WHEELS

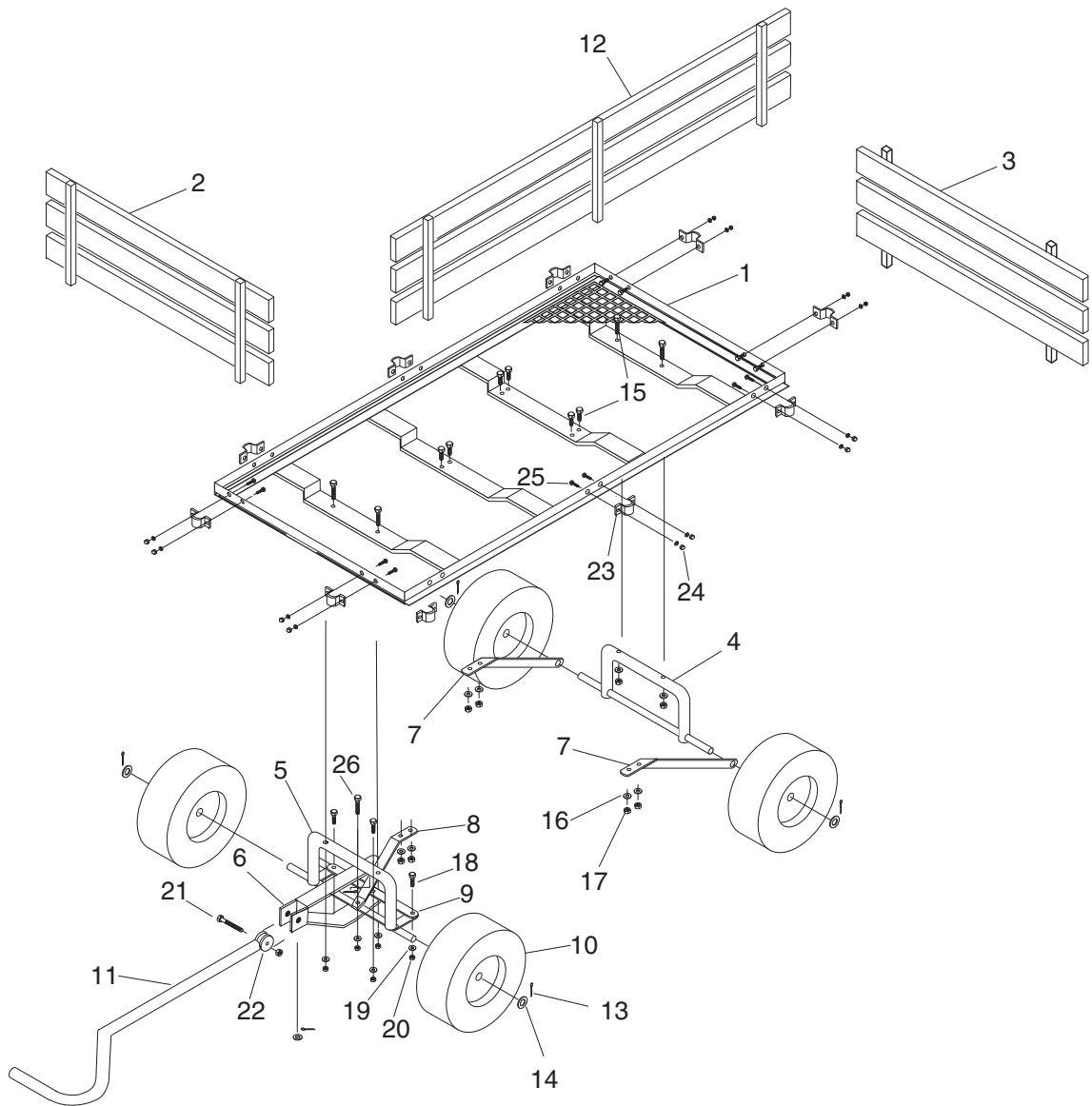
1. Slide a rear axle brace onto each rear axle and bolt the ends of the braces to the bed using the remaining M8-1.25 x 20 hex bolts, flat washers, and lock nuts, as shown in the **Parts Breakdown**.
2. Slide a tire and a 16mm flat washer over each axle with the tire valve stems facing outward. Insert a cotter pin into each axle and spread.

PULL HANDLE & WOOD SIDES

1. Insert the end of the pull handle through the plastic coupling and mount these to the front of the steering bracket with a slot head screw, flat washer, and lock nut.
2. Turn the cart over and fasten the metal brackets to the outside edge of the cart with M6-1 x 16 flat head screws, flat washers, and acorn nuts.
3. Slide the front, rear, and side panels into the brackets.

If you need additional help with this procedure, call our Service Department at: (570) 546-9663.

H3029 Parts Breakdown and List



REF	PART #	DESCRIPTION
1	PH3029001	BED
2	PH3029002	FRONT PANEL
3	PH3029003	REAR PANEL
4	PH3029004	REAR AXLE ASSEMBLY
5	PH3029005	FRONT AXLE ASSEMBLY
6	PH3029006	STEERING BRACKET
7	PH3029007	REAR AXLE BRACES
8	PH3029008	STEERING BRACE
9	PH3029009	STEERING BAR
10	PH3029010	TIRES 4.10/3.50
11	PH3029011	PULL HANDLE
12	PH3029012	SIDE PANEL
13	PH3029013	COTTER PIN 3 X 40

REF	PART #	DESCRIPTION
14	PW08M	FLAT WASHER 16MM
15	PB09M	HEX BOLT M8-1.25 X 20
16	PW01M	FLAT WASHER 8MM
17	PLN04M	LOCK NUT M8-1.25
18	PB83M	HEX BOLT M6-1 X 16
19	PW03M	FLAT WASHER 6MM
20	PLN03M	LOCK NUT M6-1
21	PH3029021	SLOT HEAD SCREW M8-1.25 X 40
22	PH3029022	PLASTIC COUPLING
23	PH3029023	METAL BRACKET
24	PN35M	ACORN NUT M6-1
25	PFH38M	FLAT HD SCR M6-1 X 16
26	PB08M	HEX BOLT M6-1 X 20