

FEATURED MODEL

157-123-ST BLANCOESSENCE™ without side spray in Stainless (Satin Nickel)

ADDITIONAL MODELS

157-123-CR Polished Chrome

FEATURES

- Solid brass body
- Ceramic disc cartridge
- Color coded hot & cold supply lines
- Reversible mounting hardware adapts to thick or thin mounting surfaces
- 2.2 G.P.M. flow rate
- Installation in a 1-3/8" hole

CODE/STANDARDS COMPLIANCE

ASME A112.18.1-2005
 IAPMO Listed

WARRANTY

Blanco America's Kitchen faucets feature a "NO HASSLE" LIMITED LIFETIME WARRANTY to be free of all manufacturing defects under normal use. See our complete warranty for details.

While Blanco America endeavors to provide accurate information, all dimensions are nominal, cannot be guaranteed, and are subject to change or cancellation. Blanco America assumes no responsibility for use of superseded or voided specifications.

PRODUCT SPECIFICATION

Kitchen faucet to include dual handles with solid brass body, ceramic disc cartridge and side spray. Faucet dimensions to be as follows: Reach: 9"; Spout Height: 9-5/8". Hot and cold supply lines to be color coded. Reversible mounting hardware to adapt to thick or thin mounting surfaces. Kitchen faucet to be BLANCOESSENCE™ without side spray, Model 157-123-_____in _____finish.

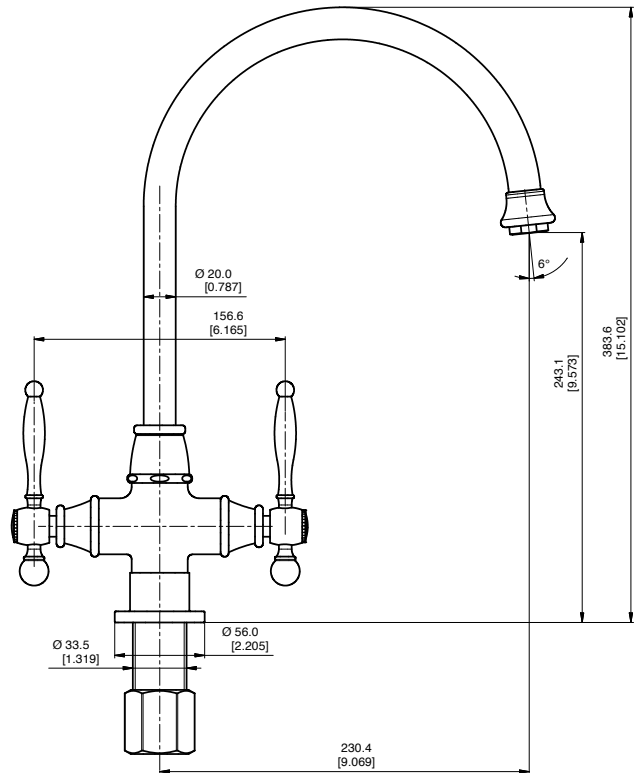
- Stainless (Satin Nickel) 157-123-ST
- Polished Chrome 157-123-CR



MODEL 157-123

NOMINAL DIMENSIONS

MODEL	REACH	SPOUT HEIGHT	FAUCET HEIGHT
157-123	9	9-5/8	15



See next page for exploded parts drawing and parts list.

JOB INFORMATION

Job Name: _____

Contact: _____

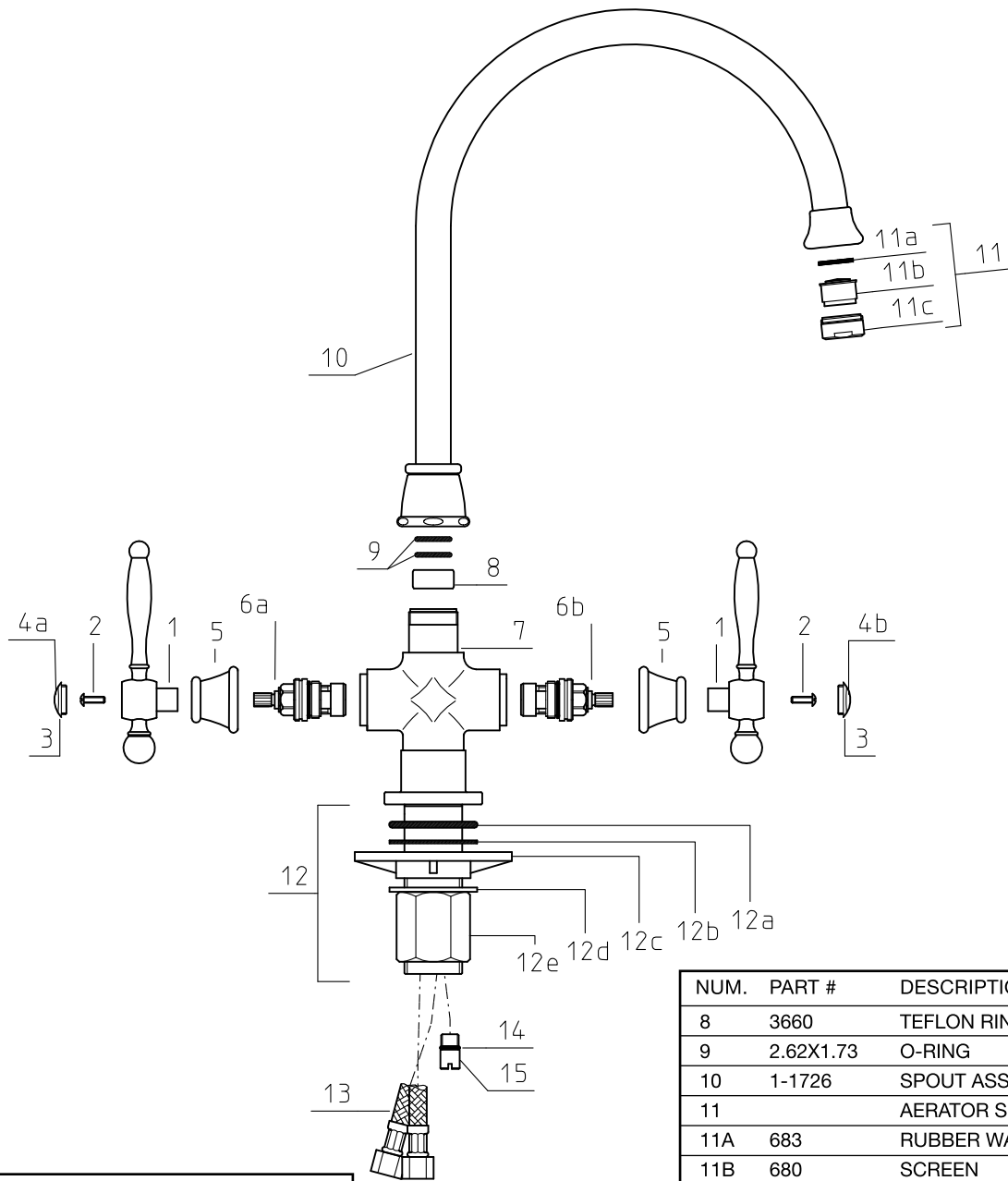
Date Specified: _____

Specifier: _____

Contractor: _____

BLANCO AMERICA
800.451.5782
www.blancoamerica.com

BLANCOESSENCE™ MODEL 157-123



NUM.	PART #	DESCRIPTION
1	1-3648	LEVER ASSY
2	2312	SCREW
3	306	BUTTON BASE
4A	304	BUTTON
4B	305	BUTTON
5	3535	COVER
6A	3615	HEAD WORK ASSY LEFT
6B	3614	HEAD WORK ASSY RIGHT
7	1-3632	BODY

NUM.	PART #	DESCRIPTION
8	3660	TEFLON RING
9	2.62X1.73	O-RING
10	1-1726	SPOUT ASSY
11		AERATOR SET
11A	683	RUBBER WASHER
11B	680	SCREEN
11C	682	AERATOR RING
12	1-2359	MOUNTING NUT ASSY
12A	3.53X42.86	O-RING
12B	48X34X2	RIBBER WASHER
12C	3109	PLASTIC BASE
12D	2258	METAL WASHER
12E	2359	NUT
13	2350	HOSE
14	1.78X7.94	O-RING
15	3161	PLUG