



NEW FRAMING KIT!

Everything to get you started on the job is included in this one package and at a price that creates an excellent value.

The FramePro 602 Full Round Head Nailer is easy to handle and has excellent line of sight. This powerful framer drives 2" to 3 1/2" nails in gauges from .113 to .148.

The Senco PC0967 Compressor is a 2 HP, 4 gallon, oil-splash portable air compressor. Its rugged design will satisfy the needs of the pro!

Applications:

Framing, truss building, subflooring, sheathing, decking, siding, fencing, pallets and crate assembly

Kit Contents:

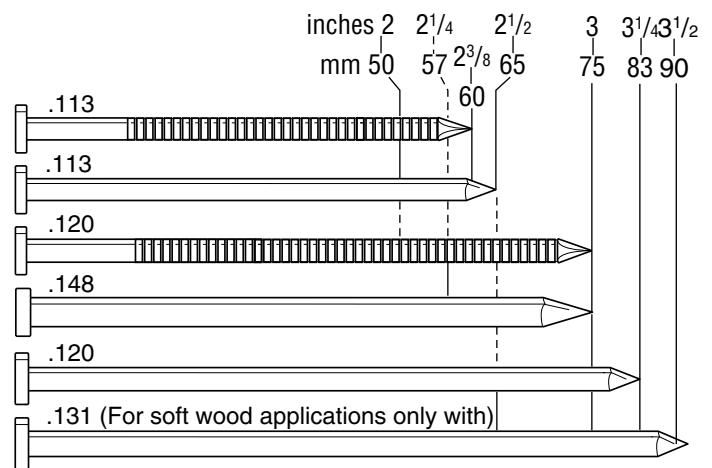
- FramePro 602 FRH Nailer
- 2 HP, 4 gallon compressor
- 3/8" x 25' rubber hose
- Compressor oil
- Tool oil
- Safety glasses
- All necessary air fittings
- Tool wrenches
- Manuals

FramePro® 602 Features and Benefits:

- Sawtooth safety for precision toenailing
- In-line magazine for superior balance and line of sight
- Adjustable exhaust
- Lightweight and powerful
- Adjustable depth-of-drive control
- Soft comfort grip handle reduces fatigue
- One year warranty

Fastener Specifications:

The FramePro 602 FRH nailer drives ring and smooth shank nails in four gauges (.113 – .148) from 2" to 3 1/2" shank nails. Shank diameters include .113, .120, and .131.



PC0967 Compressor Features and Benefits:

- 2 hp, oil-splash motor for improved life
- 4 gallon capacity, twin stacked tanks
- 15 amps @ 115V, 125 PSI max output
- 3/8" quick disconnect coupler and regulator
- Individual gauges for tank and regulated output pressure
- Hand carry – cushioned grip handle, compact, rugged and designed for the pro
- One full year limited warranty

FramePro 602 Full Round Head Nailer

Specifications:

Power: 869 in-lbs

Tool Weight: 8.1 lbs (3.7 kg)

Height: 13.2" (335 mm)

Length: 20.1" (511 mm)

Nail Capacity: 61

Reg. Operating Pressure: 70-120 psig



PC0967 2hp, 4 gal, Oil-Splash Compressor

Specifications:

Power source: Electric

Max. amp: 15 amps @ 115V

Horsepower: 2.0

Pump: Oil-splash

SCFM @ 90 psi: 4.8

Pump-up time: 0 - 125 psi 46 seconds

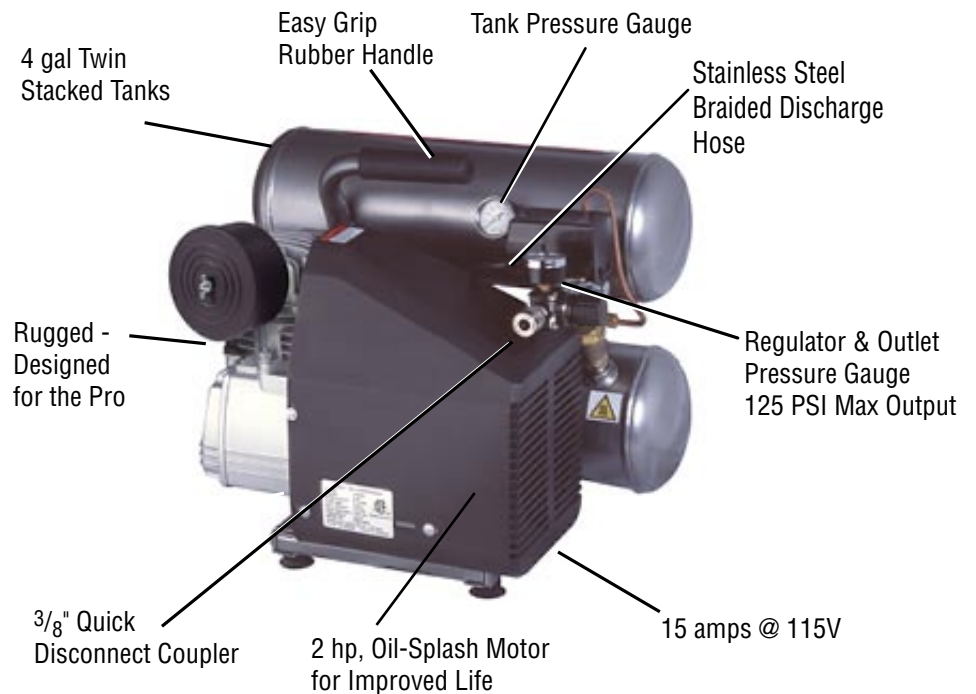
Recovery time: 95 - 125 psi 12 seconds

Max pressure: 125 psi

Tank storage: 4.0 gallon

Weight: 63 lbs.

Dimensions: length 19", height 16.5",
width 17"



For additional information on how Senco Power Fastening Systems will save you time, reduce costs, and increase quality, call our toll-free Action Line: 1-800-543-4596 to find your nearest Authorized Senco Dealer or Distributor. Visit our web site at: www.senco.com