



A20S431

User's Manual

— LCD TV





USER'S MANUAL

TABLE OF CONTENTS

IMPORTANT SAFETY INSTRUCTIONS -----	3
PREPARATION -----	4
OPERATING INSTRUCTIONS -----	6
Use of the remote control -----	6
To use the menus -----	7
Main menu -----	7
CONNECT PERIPHERAL EQUIPMENT -----	14
Front Panel Control Knobs -----	14
Preparation -----	15
Video recorder -----	16
DVD player -----	17
Camera, camcorder, Video Game set -----	17
Headphone -----	17
Tips -----	18
PRODUCT SPECIFICATION -----	19
BEFORE CALLING SERVICE -----	21
Glossary -----	22

Thank you very much for choosing the LCD TV.

We recommend that you take a few minutes to read carefully through this manual before installing and switching on the TV. Please keep this manual in a safe place for your future reference.

IMPORTANT SAFETY INSTRUCTIONS

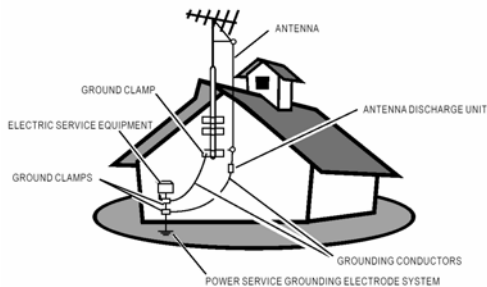
Read before operating equipment

1. Read these instructions.
2. Keep these instructions.
3. Heed all warnings.
4. Follow all instructions.
5. Do not use this apparatus near water.
6. Clean only with a dry cloth.
7. Do not block any of the ventilation openings. Install in accordance with the manufacturers instructions.
8. Do not install near any heat sources such as radiators, heat registers, stoves, or other apparatus (including amplifiers) that produce heat.
9. Do not defeat the safety purpose of the polarized or grounding type plug. A polarized plug has two blades with one wider than the other. A grounding type plug has two blades and third grounding prong. The wide blade or third prong is provided for your safety. When the provided plug does not fit into your outlet, consult an electrician for replacement of the obsolete outlet.
10. Protect the power cord from being walked on or pinched particularly at plugs, convenience receptacles, and the point where they exit from the apparatus.
11. Only use attachments/accessories specified by the manufacturer.
12. Use only with a cart, stand, tripod, bracket, or table specified by the manufacturer, or sold with the apparatus. When a cart is used, use caution when moving the cart/apparatus combination to avoid injury from tip-over.



13. The TV should be operated only from the type of power source indicated on the label. If you are not sure of the type of power supplied to your home, consult your dealer or local power company.
14. Unplug this apparatus during lightning storms or when unused for long periods of time.
15. Refer all servicing to qualified service personnel. Servicing is required when the apparatus has been damaged in any way, such as power-supply cord or plug is damaged, liquid has been spilled or objects have fallen into apparatus, the apparatus has been exposed to rain or moisture, does not operate normally, or has been dropped.

16. This product may contain lead or mercury. Disposal of these materials may be regulated due to environmental considerations. For disposal or recycling information, please contact your local authorities or the Electronic Industries Alliance: www.eiae.org
17. **Damage Requiring Service** – The appliance should be serviced by qualified service personnel when:
- The power supply cord or the plug has been damaged; or
 - Objects have fallen, or liquid has been spilled into the appliance; or
 - The appliance has been exposed to rain; or
 - The appliance does not appear to operate normally or exhibits a marked change in performance; or
 - The appliance has been dropped, or the enclosure damaged.
18. **Tilt/Stability** – All televisions must comply with recommended international global safety standards for tilt and stability properties of its cabinets design.
- Do not compromise these design standards by applying excessive pull force to the front, or top, of the cabinet, which could ultimately overturn the product.
 - Also, do not endanger yourself, or children, by placing electronic equipment/toys on the top of the cabinet. Such items could unsuspectingly fall from the top of the set and cause product damage and/or personal injury.
19. **Wall or Ceiling Mounting** – The appliance should be mounted to a wall or ceiling only as recommended by the manufacturer.
20. **Power Lines** – An outdoor antenna should be located away from power lines.
21. **Outdoor Antenna Grounding** – If an outside antenna is connected to the receiver, be sure the antenna system is grounded so as to provide some protection against voltage surges and built up static charges. Section 810 of the National Electric Code, ANSI/NFPA No. 70-1984, provides information with respect to proper grounding of the mats and supporting structure grounding of the lead-in wire to an antenna-discharge unit, size of grounding connectors, location of antenna-discharge unit, connection to grounding electrodes and requirements for the grounding electrode. See Figure below.





EXAMPLE OF ANTENNA GROUNDING AS PER NATIONAL ELECTRICAL CODE

Note to the CATV system installer: This reminder is provided to call the CATV system installer's attention to Article 820-40 of the NEC that provides guidelines for proper grounding and, in particular, specifies that the cable ground shall be connected to the grounding system of the building, as close to the point of cable entry as practical.

Please, make sure to connect the power plug to the wall outlet socket after connecting the TV to the adapter!

22. **Objects and Liquid Entry** – Care should be taken so that objects do not fall and liquids are not spilled into the enclosure through openings.

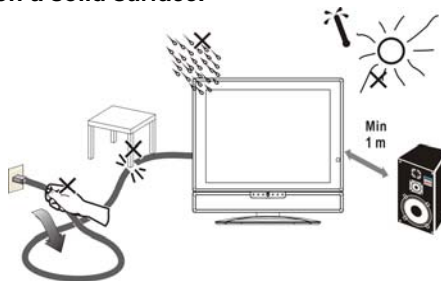
SYMBOL	SYMBOL DEFINITION
 SA 1965	DANGEROUS VOLTAGE: The lightning flash with arrowhead symbol, within an equilateral triangle, is intended to alert the user to the presence of uninsulated "dangerous voltage" within the product's enclosure that may be of sufficient magnitude to constitute a risk of electrical shock to persons.
 SA 1966	INSTRUCTIONS: The exclamation point within an equilateral triangle is to alert the User to the presence of important operating and maintenance (servicing) instruction in the literature accompanying the appliance.

Apparatus shall not be exposed to dripping or splashing and no objects filled with liquids, Such as vases, Shall be placed on the apparatus.

Caution - Danger of explosion if battery is incorrectly replaced. Replace only with the same or equivalent type.

PREPARATION

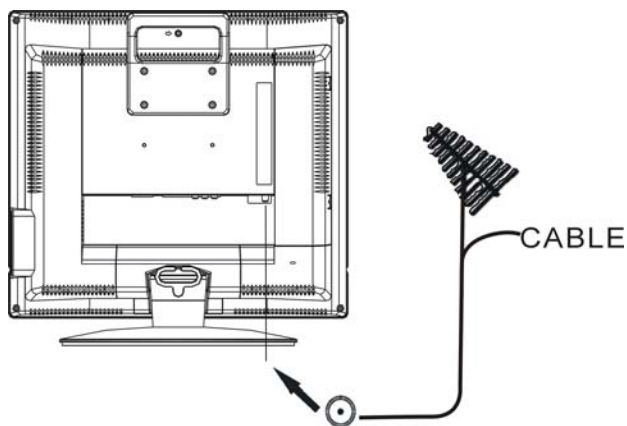
1. Place the TV on a solid surface.



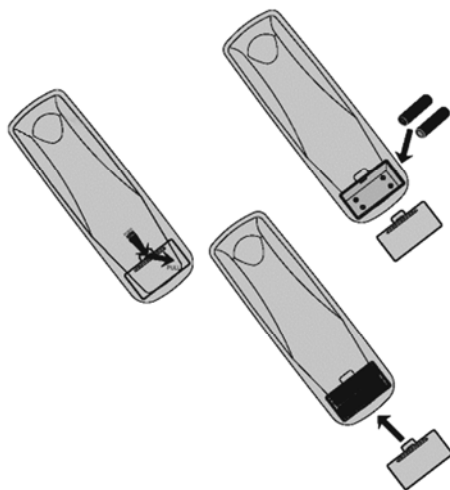
Ensure that the TV is placed in a position to allow free flow of air. Do not cover the ventilation openings on the back cover.

To prevent any unsafe situations, no naked flame sources, such as lighted candles, should be placed on or in the vicinity.

Avoid heat, direct sunlight and exposure to rain or water. The equipment shall not be exposed to dripping or splashing.



2. **Insert the aerial plug** firmly into the aerial socket at the back of the TV.
3. **Remote control:**
Remove the cover of the battery compartment. Insert the 2 batteries supplied (Type AAA 1.5V).



4. **Power:**
Insert the power cord in the wall socket having an AC power supply.
5. **Turn the TV on:**
Turn the main power switch on the right side of TV to ON.
Press the secondary power button in front of the TV to turn it on.
If the main power switch is OFF, the front LED light will also be OFF. If the main power is ON, the LED will be blue if the power is ON & orange if the power is in standby mode.

OPERATING INSTRUCTIONS

USE OF THE REMOTE CONTROL

POWER

Press to turn on/off the TV. The TV is never completely powered off unless it is physically unplugged.

0~9/100 Digit buttons

To select a TV channel.

CH

Press \blacktriangle or \blacktriangledown (\blacktriangle or \blacktriangledown) to browse through the TV channels, which are not erased. To view a blocked channel, use the digital buttons to access the channel and enter your access code.

VOL

Press + or - to adjust the volume.

PC

No Supported.

SLEEP

With this key you can set a time period after which the TV should switch itself to standby. Press the key repeatedly to select the number of minutes. The counter runs from 30,60,90,120 minutes.

PIP

Not Supported.

POP

Not Supported.



MENU

Press repeatedly to display OSD menu.

V-CHIP

Press this button to setup parental control.

SWAP

Not Supported.

SIZE

Not Supported.

MUTE

Temporarily interrupt the sound or restore it.

DISPLAY

Press this button to Display Channel number on the right-top corner.

MTS /SAP

Press this key to activate Multichannel Television Sound, Stereo or Mono sound.

PRE-CH

To display the previously selected TV channel.

TV/VIDEO

Select your input source: press repeatedly to select **TV, AV, S-VIDEO**.

CAPTION

Press this button to turn **Closed Caption** on. Be sure you have selected Caption On in the Setup menu.

TO USE THE MENUS

1. Press the **MENU** button to display each menu
2. Use the cursor up/down to select a menu item.
3. Use the cursor left/right to enter a submenu or enable/disable the function.
4. Press the **MENU** button to exit the menu.

MAIN MENU

Press the **MENU** button into the main OSD (On Screen Display). Adjust item include **SOUND SETUP**、**OSD SETUP**、**TV SETUP** and **PICTURE SETUP**.

SOUND Setup



1. **Volume** is adjusted from 0 to 100.
2. **Bass** and **Treble** are adjusted from 0 to 100.
You can adjust picture Volume, Bass and Treble to the levels you prefer.
3. The adjustment range of balance is from 0 to 100.
0 to 50 is used to adjust the volume of right speaker from low to loud.
50 to 100 is used to adjust the volume of left speaker from loud to low.
4. The Mute is "ON" or "OFF", and if the Mute is ON, there are no sound output

OSD Setup



1. Set OSD language
2. Adjust the horizontal position of the OSD.
3. Adjust the vertical position of the OSD.
4. Adjust the OSD time-out.
5. [OSD Background Adjustment](#)

TV Setup



1. AIR/CATV for different TV input solution, RF and cable.
2. Auto searching is used for searching all TV program channels. After finishing search and exiting, the machine will save the program automatically, you can also press "menu" to break the searching, but only the searched programs are saved when the machine exits searching.
3. Add/Erase is for add or delete the current channel for memorizes.
4. Current Program is display the current channel number.
5. **Sleep Timer**

It is for set a time period after which the TV should switch itself to standby. The counter runs from Disabled 30 > 60 > 90 > 120 minutes.

(The setting will be removed when using reset)

6. CLOSED CAPTION

It's allows you to read the dialogue of television programs on the TV screen. Designed to help the hearing impaired, this feature uses on screen "text boxes" to show dialogue and conversations while the TV program is in progress. Captions will appear on the screen only during captioned broadcasts.

Remark: the captions do not always use correct spelling and grammar.

Not all TV programs and product commercials are made for broadcast with Closed Caption information included. Refer to your area's TV program listings for the TV channels and times of closed Caption shows.

The captioned programs are usually noted in the TV listings with service Marks such as "CC".

Caption Mode:CC1~CC4

Dialogue (and descriptions) for the action on the captioned TV program shows on screen.

Text Mode:TT1~TT4

Often used for channel guide, schedules, bulletin board information for Closed Caption programs, news, weather information or stock marker reports.

Not all Closed Caption modes are necessarily being use by a TV channel during the transmission of a Closed Caption program.

V-CHIP Setup

Select V-Chip on OSD then enter 4 digits of pin number.

Initial pin number is "0000".

If you enter an incorrect pin number "Error" message will be displayed.



It is the parental control function (V-chip). It is used to block program viewing based on the ratings by the broadcaster. The default setting is to allow all programs to be viewed. Viewing can be blocked by the type of program and by the categories chosen be blocked. It is also possible to block all program viewing for a time period.

A. There are two item could be defined. One is **TV Guidelines** another one is **Movie Guidelines**.

B. Setting up **TV Guidelines**

Use Up/Down arrow buttons to move around the matrix and press **Right arrow** button to change the value form "U" to "B" or "B" to "U"

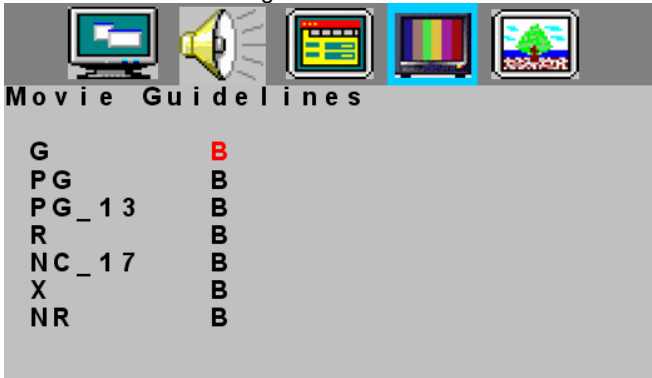
U: Unblock

B: Block



C. Setting up **Movie Guidelines**

Use Up/Down arrow buttons to move around the matrix and press **Right arrow** button to change the value from “U” to ‘B” or “B” to “U”



D. **CHANGE PIN** Personal Identification Number is for change password to control the V-chip setup; it's included three steps. ENTER PIN to enable this function, then ENTER NEW PIN to change a new one. After that COMFIRM NEW PIN.

Picture Setup



- 1、 Contrast, Brightness and Saturation are adjusted from 0 to 100.
- 2、 Hue is adjusted from 0 to 100.
- 3、 Sharpness is adjusted from 0 to 100.
Hue is only adjusted in NTSC telecast system.
You can adjust contrast, brightness, saturation, hue, black level and sharpness to the levels you prefer.
- 4、 Color Tone is for AV、S-VIDEO and TV color, you can select warm or cool.

CONNECT PERIPHERAL EQUIPMENT

FRONT PANEL CONTROL KNOBS

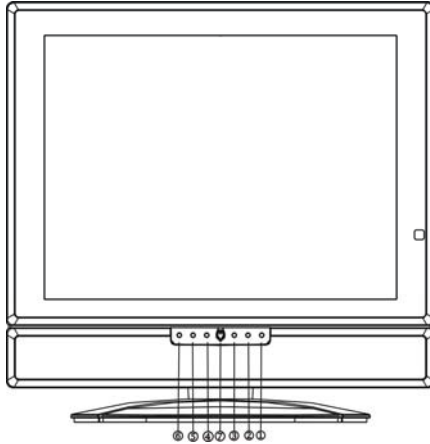
Power Key⑦ : Press to turn on or off the TV.

MENU Key⑥ : Press to show the OSD menu and exit OSD menu at the TV.

Down / Up Key⑤④ : Press to perform select function and channel.

+ / - Key②③ : Press to confirm your function selection and adjustment.

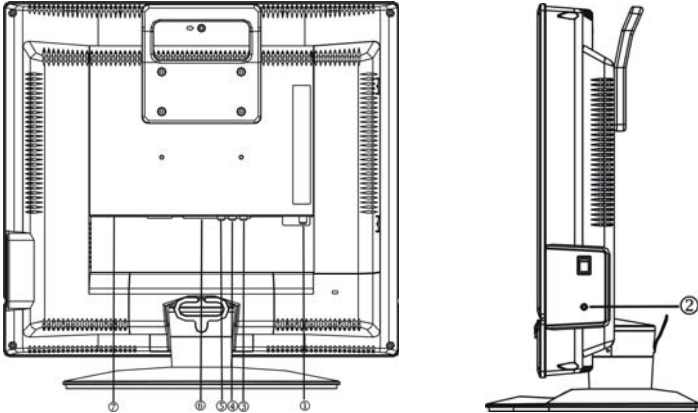
Source Key① : Press to select your input source.



There is a wide range of video and audio equipment that can be connected to your TV. The following connection diagrams show you how to connect them.

PREPARATION

Remove the back plate at the back of the TV as shown on the illustration opposite. Lay the LCD TV with the screen down on a table, as it will be easier to connect your peripheral equipment. Please take precaution not to damage the screen.



- ①1: RF TV port
- ②2: Earphone output port
- ③3: Right audio input port
- ④4: Left audio input port
- ⑤5: AV video port
- ⑥6: S-VIDEO video port
- ⑦7: power input port

VIDEO RECORDER

How to connect

1. Connect the supplied antenna cable to the RF IN port of your VCR.
2. Connect another RF cable ① from the output RF of your VCR to the **Antenna** input of your TV. Better quality when playing from your VCR can be obtained if you also connect the Video, Audio LEFT AND right (only for stereo equipment) cables ⑤ to the VIDEO, AUDIO L and R inputs AV.

If your VCR has an S-VHS video jack:

For improved picture quality, connect a S-Video cable with the S-VIDEO input on the TV instead of connecting the VCR to the VIDEO port.

S-Video does not provide audio, audio cables must still be connected to provide sound③④.

Watching VCR

1. If you use connection①, select the TV channel search.
2. If you use connection⑤, select AV.
3. If you use connection⑥. Select s-video
4. Insert videotape in the VCR and press the PLAY button.

DVD PLAYER

Connect the video output port of DVD player to the video input port of TV.
Connect the left and right **audio** of DVD to the left and right channels of audio input of TV.

If your DVD player is equipped with S-VHS video port:
For better quality picture, please connect the **S-video cable** to the **S-video** input port ⑥ of TV. Connecting the audio output ports ③ ④ through audio cable is a must since **S-video input port** is not attached with audio.

How to play

If you use connection ⑤, please select video AV input;
If you use connection ⑥, please select S-VIDEO input;

CAMERA, CAMCORDER, VIDEO GAME SET ...

DIGITAL CAMERA


How to connect

1. Connect your digital camera, camcorder, videogame set... to VIDEO port ⑥ AUDIO R ③ AUDIO L ④ for mono equipment.
3. S-VHS quality with an S-VHS camcorder is obtained by connecting the **S-VHS cable with the S-VIDEO input ⑥ and AUDIO input ③ ④.**

How to use

1. Select AV or S-VIDEO.
2. Turn on the external AV equipment.

HEADPHONE

1. Insert the plug into the headphone port ②, when insert headphone will block speaker audio output.
2. Press the  key on the remote control to switch off the sound from the headphone and the internal loudspeakers of the TV.
3. Press the cursor left/right to adjust the volume.

TIPS

Care of the screen

Do not rub or strike the screen with anything hard as this may scratch, mar, or damage the screen permanently.

Unplug the screen before cleaning the screen. Dust the TV by wiping the screen and the cabinet with a soft, clean cloth. If the screen requires additional cleaning, use a clean, damp cloth. Do not use liquid cleaners or aerosol cleaners.

Mobile telephone warning

To avoid disturbances in picture and sound, malfunctioning of your TV or even damage to the TV, keep away your mobile telephone from the TV.

End of life directives

We are paying a lot of attention to produce environmentally friendly in green focal areas. Your new receiver contains materials which can be recycled and reused.

At the end of its life specialized companies can dismantle the discarded receiver to concentrate the reusable materials and to minimize the amount of materials to be disposed of.

Please ensure you dispose of your old receiver according to local regulations.

Product Specification

Feature		20" screen	
Items		Specification	
LCD Panel	Screen Size	20" screen	
	Aspect Ratio	4 : 3	
	Display Area (opening) H x V	408mmx306mm	
	Pixel Pitch	0.2125mm x 0.6375mm	
	Display colors	16.7 million	
	Lamp Type/Life	60000 hr	
	Color Temperature	Cool / Warm	
TV Function	TV Standard	NTSC M	
	Sound systems	MTS、SAP	
	Colour systems	NTSC	
DPF function (Optional)	Supported by memory card	Not supported	
Wireless earphone (Optional)	FM transmission frequency	Not supported	
Video Inputs	AV、S-VIDEO	RCA x 1	Audio L/R x 1 (Share)
		S-Video x 1	

Audio Output	Audio Output: L / R	Speaker (built-in): Two 2 watt speakers
		Headphone Mini-jack for stereo (3.5ø)
OSD language	English / French / Spanish/Portuguese	
Table Stand	Included	
Wall Mount	VESA 100 x 100 mm	
Power	Power Supply	AC100V~240V, 50/60Hz
	Power Consumption	<75W
Panel Tilt	Forwards/Backwards/Rotation	-4° / +18° / ± 35°
Environment	operating	+ 0 °C ~ + 40 °C
	storage	- 25 °C ~ + 60 °C
	operating	10% ~ 85%
Dimension	W x H x D (with stand)	498 x 489 x 256(mm)
Weight (net)	Kg (w/o Accessories)	9 Kg
Accessories	Remote Controller, Batteries (AAAx2), AC Power Cord, User's Manual, Audio Cable	

Before Calling Service

Please make these simple checks before calling service. These tips may save you time and money since charges for receiver installation and adjustments of customer controls are not covered under your warranty.

Symptoms	Items to Check and Actions to follow
"Ghost " or double image	*This may be caused by obstruction to the antenna due to high rise buildings or hills. Using a highly directional antenna may improve the picture.
No power	*Check that the TV's AC power cord is plugged into the mains socket. *Unplug the TV, wait for 60 seconds. Then re-insert plug into the mains socket and turn on the TV again.
No picture	*Check antenna connections at the rear of the TV to see if it is properly connected to the TV. *possible broadcast station trouble. Try another channel. *Adjust the contrast and brightness settings. *Check the V-Chip control. Some V-Chip modes could block the screen.
Good picture but no sound	*Increase the VOLUME. *Check that the TV is not muted; press the button on the remote control.
Good sound but poor color	*Adjust the contrast, color and brightness settings. Adjust TV Mode "AIR" or "CATV". "HRC" . "IRC", check that is ok or not.
Poor picture	*Sometimes, poor picture quality occurs when having activated an S-VHS camera or camcorder connected and having connected another peripheral at the same time. In this case switch off one of the other peripherals
Snowy picture and noise	*Check the antenna connection
Horizontal dotted line	*This may be caused by electrical interference (e.g. hairdryer, nearby neon lights, etc.) *Turn off the equipment.
Television not responding to remote control	*Check whether the batteries are working. Replace if necessary *Clean the remote control sensor lens on the TV. *You can still use the buttons at the front of your TV. *Select the TV mode to be sure your remote control is in the TV mode.

GLOSSARY

Audio / Video Inputs

Located on the rear and the front of the receiver these connectors (RCA phono type plug) are used for the input of audio and video signals. Designed for use with VCRs (or other accessories) in order to receive higher picture resolution and offer sound connection options.

S-Video Input

Allows direct connection of high-resolution video sources, such as a Super VHS videocassette recorder, Laser Disc player, etc. Provides improved picture resolution, sharpness, and clarity.

Audio output

Provide sound output , it can be connected external speaker ,and enhance the sound quality.

Menu

An on-screen listing of feature controls shown on the TV screen that are made available for user adjustments.

Multichannel Television sound (MTS)

The broadcasting standard that allows for stereo sound to be transmitted with the TV picture.

RF

Radio Frequency or modulated signal design used as the carrier for television broadcasts.

Second Audio Program (SAP)

Another or additional audio channel provided for in the Multichannel Television Sound (MTS) broadcast standard. A monaural soundtrack included within the recorded or video signal (usually containing a second language translation for the displayed program).

Sleep Timer

Function with which you can set a time period after which the TV should turn itself off.