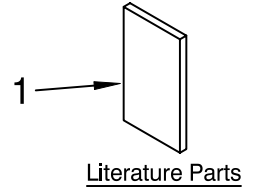
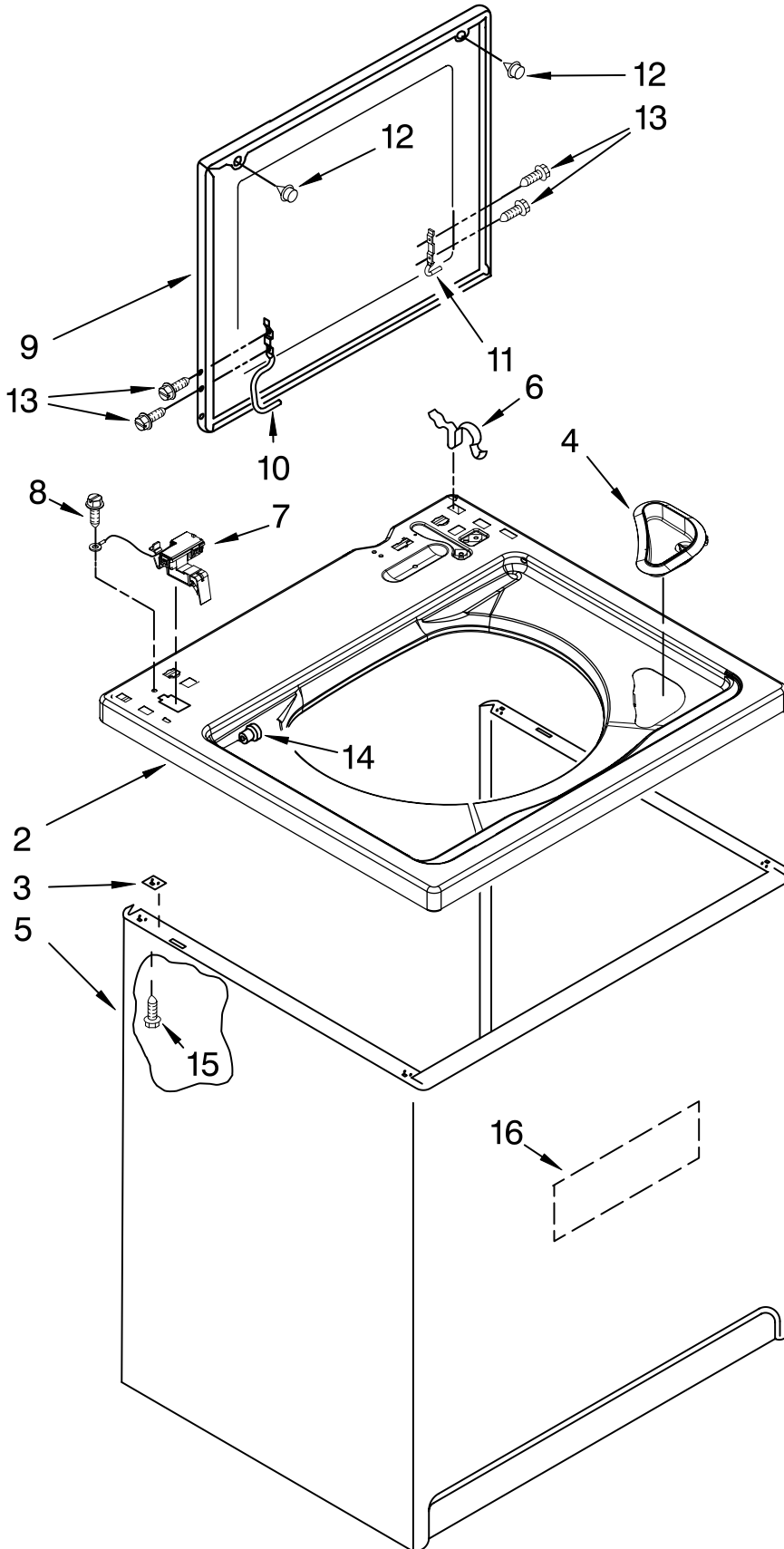




TOP AND CABINET PARTS

For Model: WTW58ESVW1
(White)

AUTOMATIC
WASHER



FOR ORDERING INFORMATION REFER TO PARTS PRICE LIST

TOP AND CABINET PARTS

For Model: WTW58ESVW1

(White)

<u>Illus. No.</u>	<u>Part No.</u>	<u>DESCRIPTION</u>
1		Literature Parts Installation Instructions
	W10200890	English/French
	W10200891	Spanish
		Use & Care Guide
	W10200828	English/French
	W10200829	Spanish
		Feature Sheet
	W10200856	English/French
	W10200857	Spanish
	W10062904	Energy Guide
	W10248227	Wiring Diagram
	W10196538	Load Sense Info Sheet

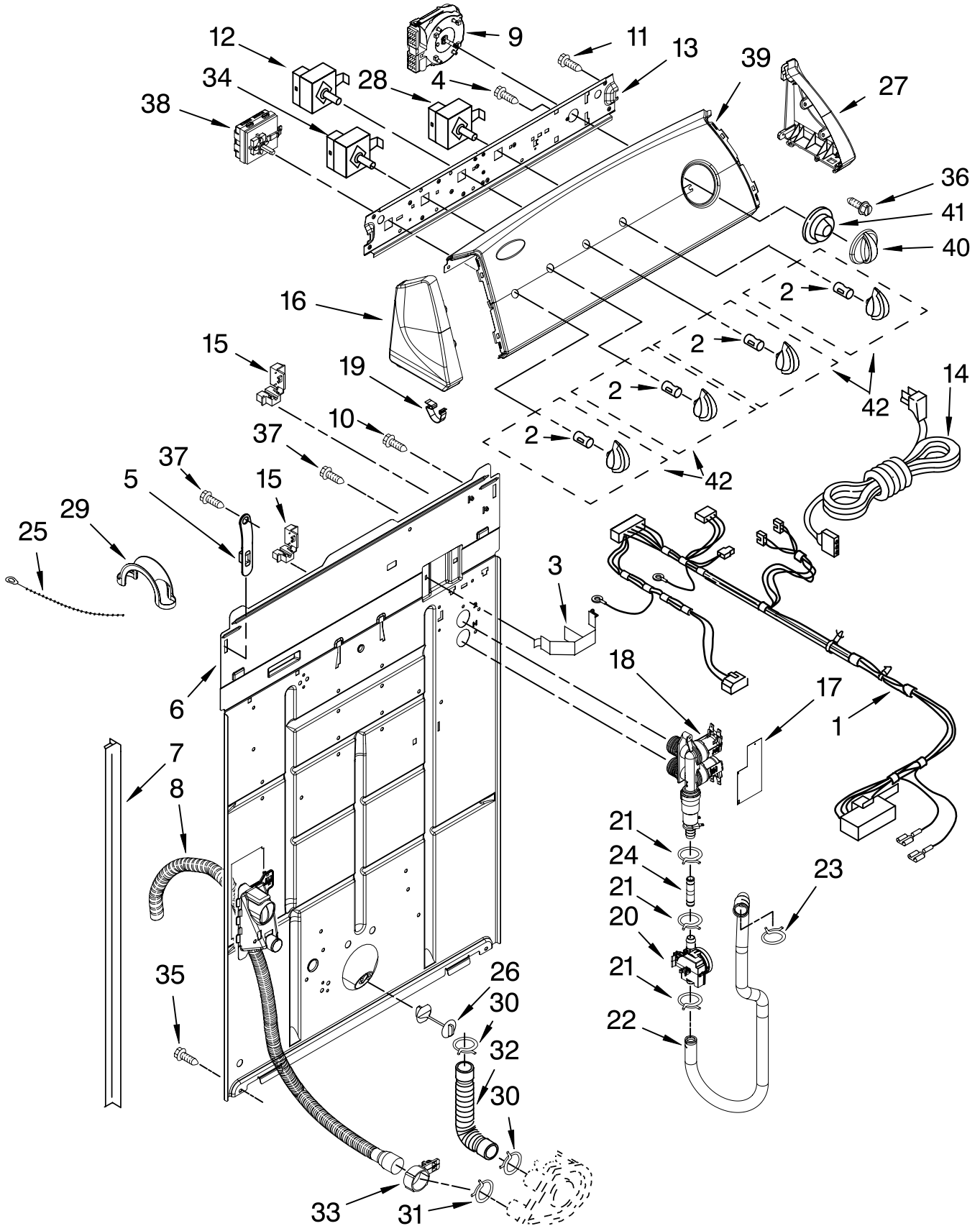
Following May Be Purchased

DO-IT-YOURSELF REPAIR MANUALS

	4313896	Manual, Washer
2	W10194572	Top
3	62750	Spacer, Cabinet To Top (4)
4	W10192089	Dispenser, Bleach
5	63424	Cabinet
6	62780	Clip, Top & Cabinet & Rear Panel (2)
7	8318084	Switch, Lid
8	3351614	Screw, Ground
9	W10171313	Lid
10	W10225136	Hinge, Lid (L.H.)
11	91770	Hinge, Lid (R.H.)
12	9724509	Bumper, Lid (2)
13	W10119828	Screw, Lid Hinge Mounting (4)
14	8319539	Bearing, Lid Hinge (2)
15	W10165554	Screw, 10-16 x 3/8 (4)
16	W10177046	Cabinet-Damper, Sound

CONTROLS AND REAR PANEL PARTS

For Model: WTW58ESVW1
(White)



FOR ORDERING INFORMATION REFER TO PARTS PRICE LIST

CONTROLS AND REAR PANEL PARTS

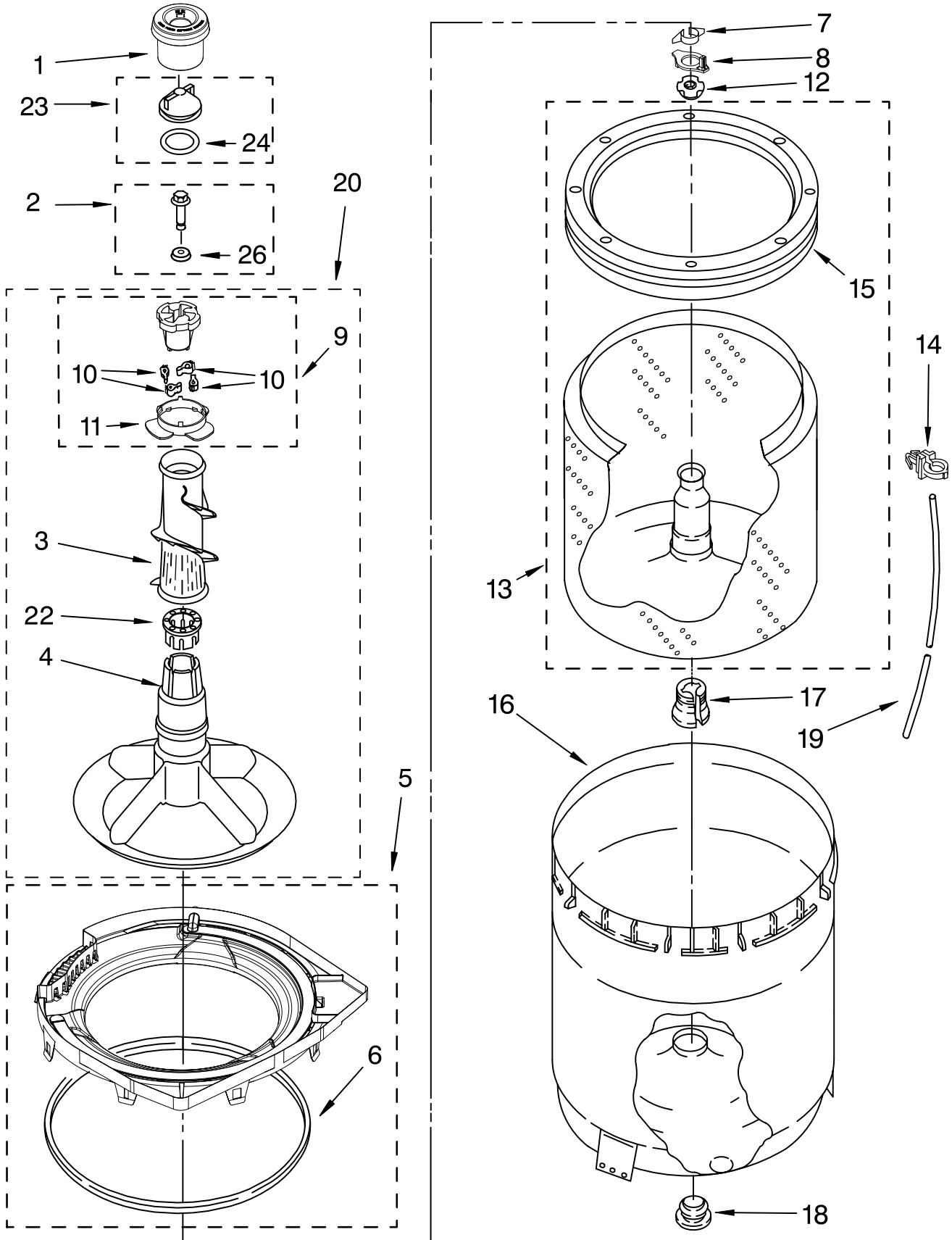
For Model: WTW58ESVW1
(White)

Illus. No.	Part No.	DESCRIPTION	Illus. No.	Part No.	DESCRIPTION	Illus. No.	Part No.	DESCRIPTION
1	W10244926	Harness, Wiring (For Detail See Pages 9 & 10)	13	8566003	Bracket, Control	27	8566032	Cap, End (R.H.) (Includes Item 19)
2	8536939	Clip, Knob	14	8578842	Cord, Power (Includes Item 15)	28	W10180780	Switch, Rotary
3	8055003	Clip, Harness & Pressure Hose	15	3952821	Strain Relief, Power Cord	29	8577378	U-Bend, Drain Hose
4	3400073	Screw, Ground	16	8566035	Cap, End (L.H.) (Includes Item 19)	30	3363366	Clamp, Hose
5	8568314	Strap, Console (2)	17	W10245838	Shield, Suds	31	8317496	Clamp, Hose
6	W10194451	Panel, Rear	18	W10175893	Valve, Water Inlet	32	3951449	Hose, Pump To Tub (Includes Item 30)
7	62747	Pad, Rear Panel	19	8312709	Clip, Console	33	8541668	Clamp, Hose
8	W10189267	Drain Hose Assembly (Includes Item 33)	20	W10176591	Flowmeter	34	3949180	Switch, Rotary
9	W10177827	Timer, Control (60 Hz.) (Motor Not A Service Part)	21	W10185367	Clamp, Hose	35	62863	Screw, 10-16 x 3/8
10	3351614	Screw, Ground	22	W10166732	Hose, Flowmeter To Tub Ring	36	3400818	Screw, Timer Mounting
11	90767	Screw, 8-18 X 3/8	23	W10117298	Clamp, Hose	37	9740848	Screw, 8-18 x 1/2
12	3949180	Switch, Rotary	24	W10166731	Hose, Valve To Flowmeter	38	W10248240	ATC-Auto Load Sensing Switch
			25	3347868	Cable Tie	39	W10240471	Panel, Console
			26	8519200	Support, Rear Panel	40	W10034730	Knob, Timer
						41	8566018	Dial, Timer
						42	W10034380	Knob, Control

FOR ORDERING INFORMATION REFER TO PARTS PRICE LIST

AGITATOR, BASKET AND TUB PARTS

For Model: WTW58ESVW1
(White)



FOR ORDERING INFORMATION REFER TO PARTS PRICE LIST

AGITATOR, BASKET AND TUB PARTS

For Model: WTW58ESVW1

(White)

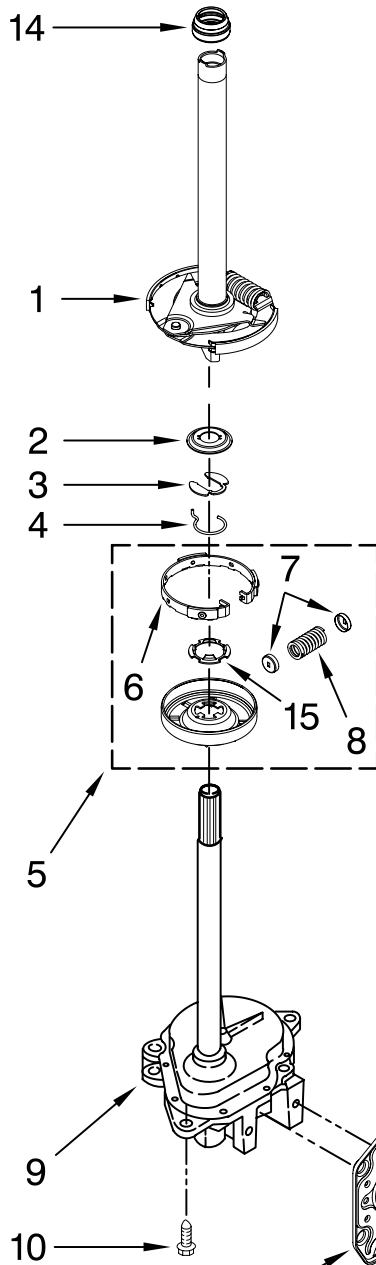
Illus.	Part	
No.	No.	DESCRIPTION
1	8575076	Dispenser
2	358237	Screw & Washer (5/16-24 x 1)
3	3363003	Clothes Mover
4	3951632	Agitator
5	W10167984	Tub Ring & Gasket
6	3359585	Seal, Tub Ring
7	3354845	Clip, Agitator
8	8543666	Washer, Agitator
9	3951682	Cam, Driven
10	3366877	Dog, Agitator Clutch (4)
11	3952374	Bearing-Driven Cam
12	21366	Nut, Spanner
13	8526016	Basket & Balance Ring
14	2219077	Clip, Pressure Switch Hose
15	387240	Balance Ring
16	63849	Tub
17	389140	Block, Basket Drive
18	383727	Gasket, Centerpost
19	W10240485	Hose, Pressure Switch
20	3951744	Agitator (Complete)
22	3951608	Spacer, Thrust
23	3354733	Cap, Barrier
24	W10072840	Seal, Inner Cap
26	3949550	Washer

FOR ORDERING INFORMATION REFER TO PARTS PRICE LIST

BRAKE, CLUTCH, GEARCASE, MOTOR AND PUMP PARTS

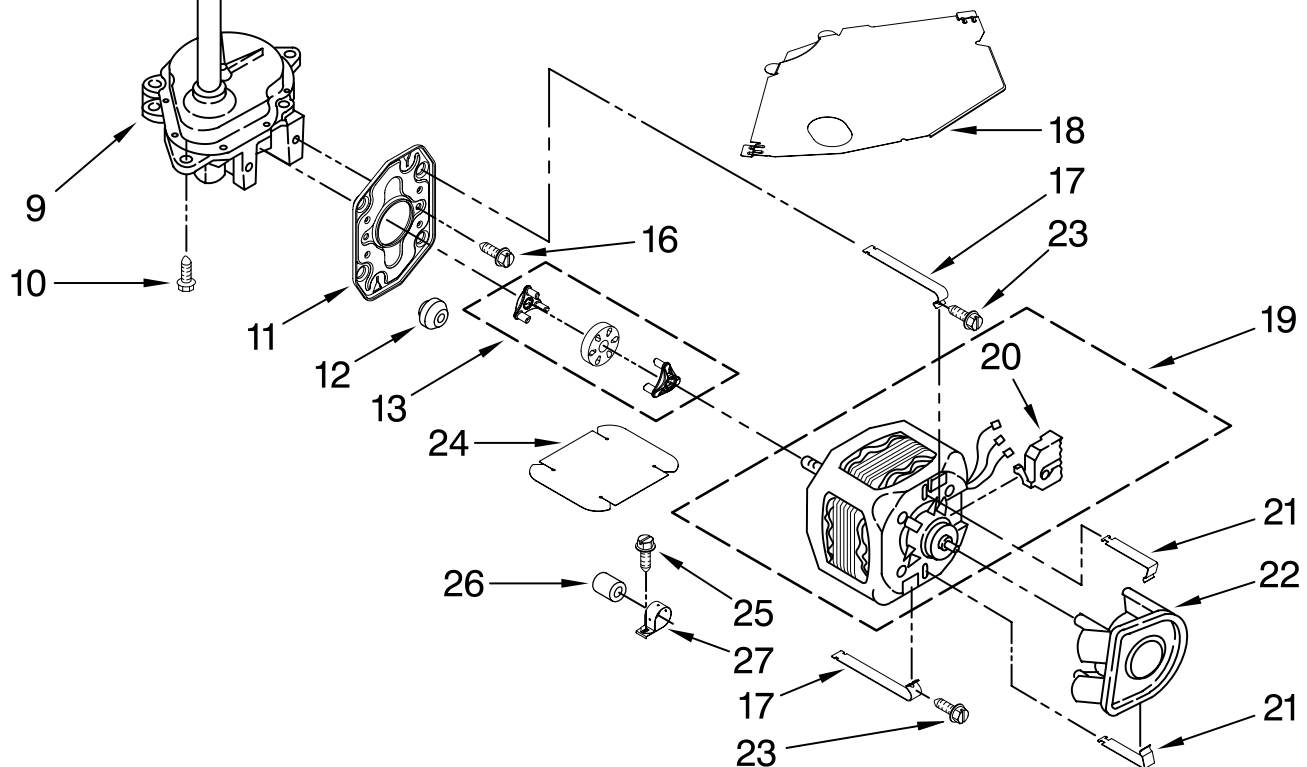
For Model: WTW58ESVW1

(White)



Illus. No.	Part No.	DESCRIPTION
1	388952	Brake & Drive Tube (Complete) (Refer to Page 11 For Further Breakdown)
2	63292	Washer, Spin Tube Thrust
3	62697	Ring, Spin Tube Support
4	63283	Ring, Retainer
5	3951311	Clutch (Complete)
6	3951308	Band & Lining, Clutch (Includes Items 7 & 8)
7	62646	Cap, Clutch Spring (2)
8	3946792	Spring, Clutch
9	3360630	Gearcase (Complete) (Refer To Page 12 For Further Breakdown)
10	3357334	Screw, Gearcase To Base (3)

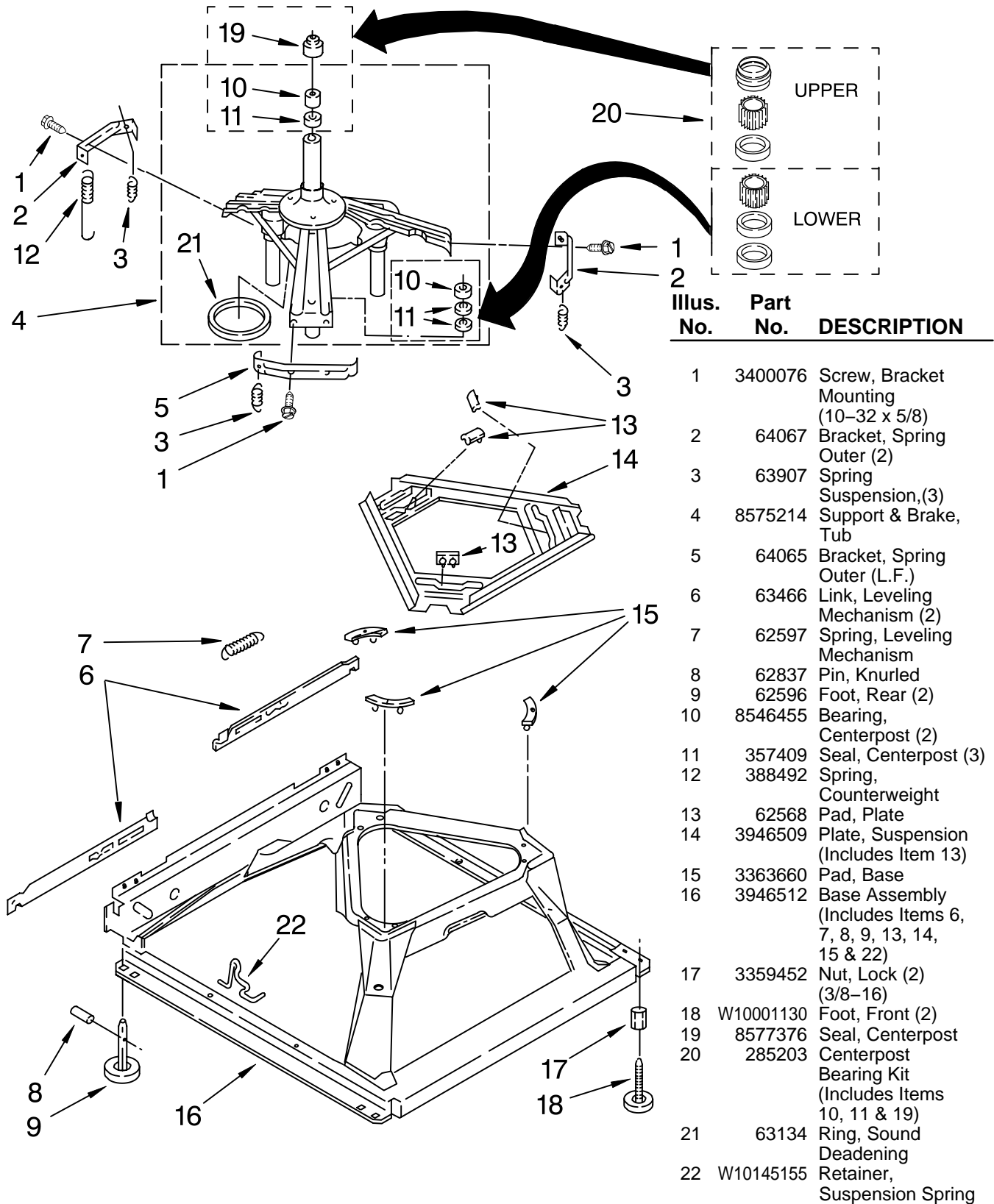
Illus. No.	Part No.	DESCRIPTION
11	62611	Plate, Motor Mount To Gearcase
12	62691	Grommet, Motor (4)
13	3364003	Coupling, Motor & Isolation
14	8577374	Seal
15	3355454	Clip, Anti-Rattle
16	3400516	Screw
17	W10086010	Retainer, Motor (2)
18	3362089	Shield, Tub To Motor
19	661600	Motor, Main Drive
20	62850	Switch, Main Drive Motor
21	8546127	Retainer, Pump (2)
22	3363394	Pump (Complete)
23	3387485	Screw, 10-16 x 5/8
24	3946532	Shield, Motor
25	62863	Screw, 10-16 x 3/8
26	8572717	Capacitor
27	3949496	Clamp, Capacitor



FOR ORDERING INFORMATION REFER TO PARTS PRICE LIST

MACHINE BASE PARTS

For Model: WTW58ESVW1
(White)

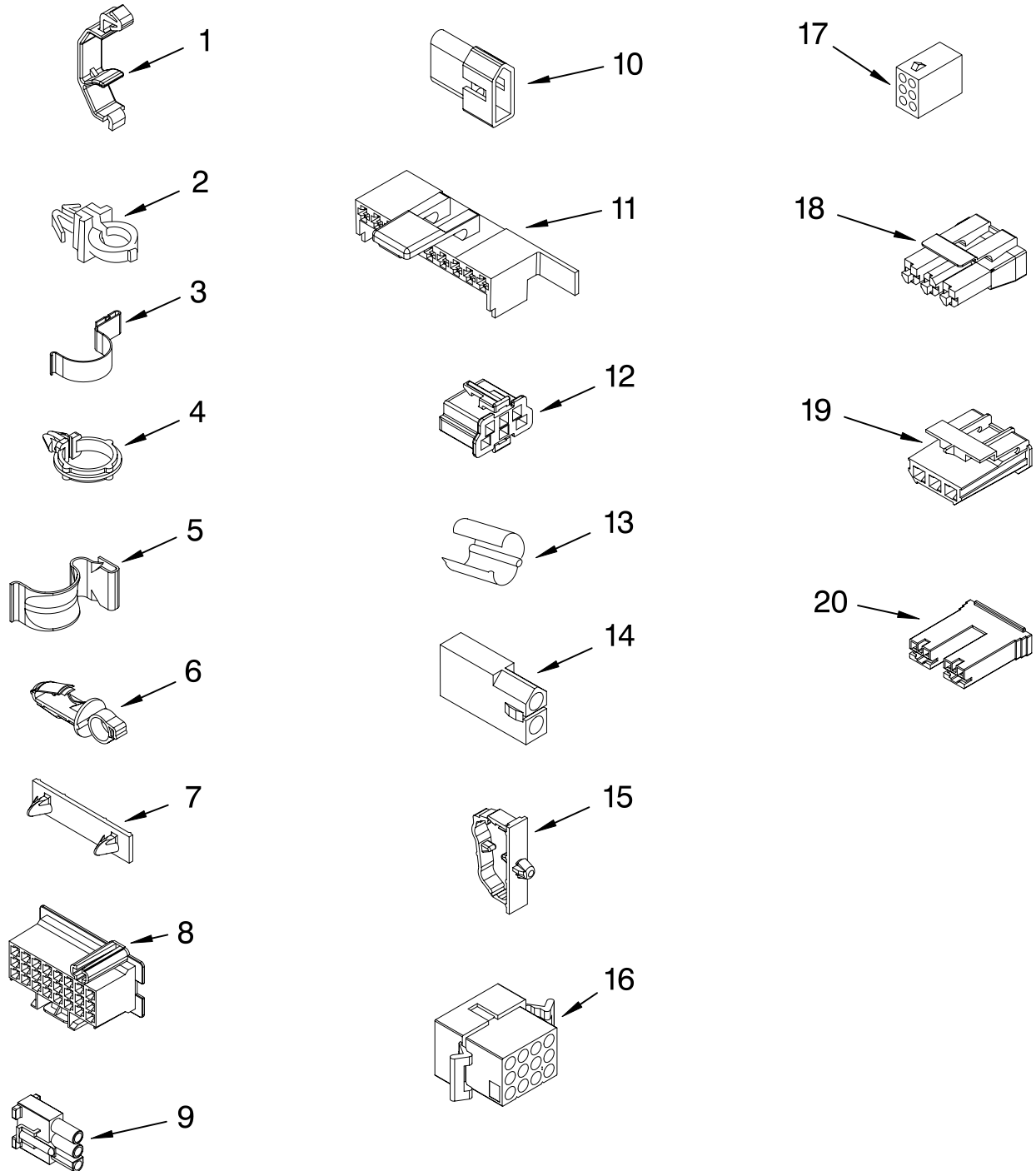


Illus. No.	Part No.	DESCRIPTION
1	3400076	Screw, Bracket Mounting (10-32 x 5/8)
2	64067	Bracket, Spring Outer (2)
3	63907	Spring Suspension,(3)
4	8575214	Support & Brake, Tub
5	64065	Bracket, Spring Outer (L.F.)
6	63466	Link, Leveling Mechanism (2)
7	62597	Spring, Leveling Mechanism
8	62837	Pin, Knurled
9	62596	Foot, Rear (2)
10	8546455	Bearing, Centerpost (2)
11	357409	Seal, Centerpost (3)
12	388492	Spring, Counterweight
13	62568	Pad, Plate
14	3946509	Plate, Suspension (Includes Item 13)
15	3363660	Pad, Base
16	3946512	Base Assembly (Includes Items 6, 7, 8, 9, 13, 14, 15 & 22)
17	3359452	Nut, Lock (2) (3/8-16)
18	W10001130	Foot, Front (2)
19	8577376	Seal, Centerpost
20	285203	Centerpost Bearing Kit (Includes Items 10, 11 & 19)
21	63134	Ring, Sound Deadening
22	W10145155	Retainer, Suspension Spring

FOR ORDERING INFORMATION REFER TO PARTS PRICE LIST

WIRING HARNESS PARTS

For Model: WTW58ESVW1
(White)



WH2J

WIRING HARNESS PARTS

For Model: WTW58ESVW1
(White)

Illus. No.	Part No.	DESCRIPTION	Illus. No.	Part No.	DESCRIPTION	Illus. No.	Part No.	DESCRIPTION
1	3349557	Retainer, Harness	9	62889	Receptacle, Terminal (3-Way)	16	3390423	Block, Disconnect (12-Way)
2	388498	Clip, Harness				17	3347730	Receptacle (6-Way)
3	3347812	Clip, Harness	10	353424	Plug, Terminal (3-Way)	18	3948617	Connector (T.P.A.) (3-Circuit)
4	3352501	Clip, Harness (Push-In)	11	62505	Block, Disconnect (Motor 2 Speed)	19	3360056	Plug (T.P.A) (3-Circuit) (Pressure Switch)
5	90016	Clip, Harness (Half-Harness)	12	3347243	Block, Disconnect	20		Block, Connector
6	3390496	Clip, Harness	13	63523	Protector		3354925	Natural
7	389379	Retainer, Harness	14	717252	Connector (2-Way)		3354926	Red
8		Timer, Block Disconnect	15	3352944	Clip, Harness			
	3948614	Natural						
	352089	Black						

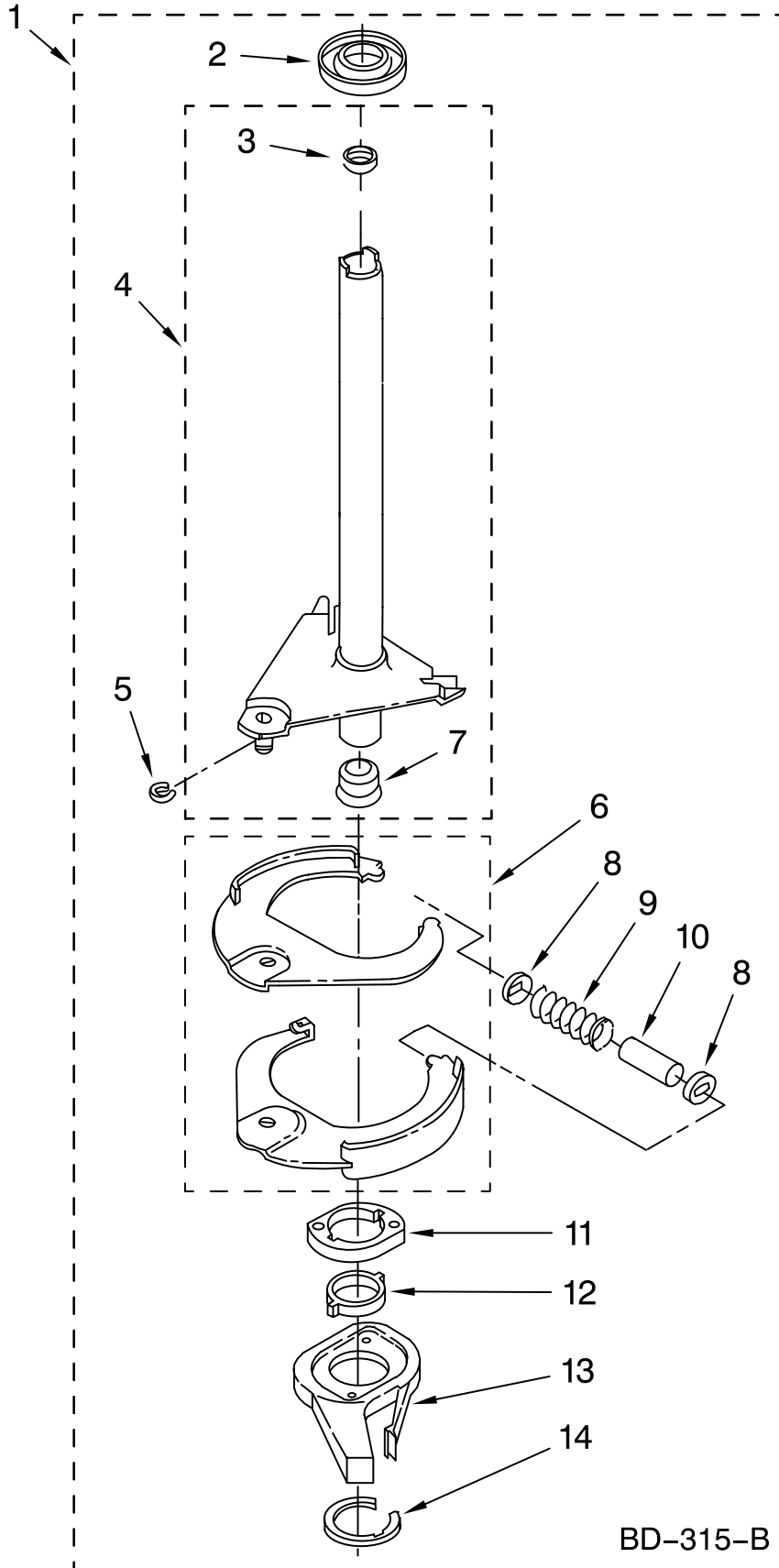
**FOR COMPLETE WIRING HARNESS REFER TO
CONTROL AND REAR PANEL PARTS PAGE**

WH2J

FOR ORDERING INFORMATION REFER TO PARTS PRICE LIST

BRAKE AND DRIVE TUBE PARTS

For Model: WTW58ESVW1
(White)



Illus. No.	Part No.	DESCRIPTION
------------	----------	-------------

1	388952	Brake And Drive Tube (Complete)
2	62658	Ring, Thrust
3	356427	Seal, Drive Tube
4	64027	Tube, Basket Drive (Includes Illus. 3, 4, 5 & 9)
5	64035	Ring, Retaining
6	64232	Shoe, Brake (2)
7	62703	"T" Bearing, Spin Tube
8	3353956	Cap, Brake Spring (2)
9	387806	Spring, Brake
10	3355360	Sleeve, Brake Spring
11	661516	Cam, Brake Release
12	63022	Sleeve, Cam
13	64194	Driver, Brake Cam
14	90368	Ring, Retaining

FOLLOWING PARTS
NOT ILLUSTRATED

285208 Lubricant
(Use Only In Brake Shoe Assembly On Roller & Pin)

BD-315-B

FOR ORDERING INFORMATION REFER TO PARTS PRICE LIST

OPTIONAL PARTS (NOT INCLUDED)

For Model: WTW58ESVW1
(White)

Illus. No.	Part No.	DESCRIPTION	Illus. No.	Part No.	DESCRIPTION	Illus. No.	Part No.	DESCRIPTION
<u>PAINT, TOUCH-UP (1/2oz.)</u>			<u>OIL</u>			<u>ACCESSORY PARTS</u>		
	72017	White		350572	Oil, Gearcase (16 Oz.)		367031	Drain Protector
<u>PAINT, PRESSURIZED SPRAY (12 oz.)</u>			<u>LUBRICANT</u>				280129	Siphon Break Kit
	350938	Primer, Gray		285208	Lubricant (Use Only in Brake Shoe Assembly On Roller and Pin)		280130	Drain Hose Adapter Kit
	350930	White	<u>SEALER</u>				280131	Drain Hose Extension Kit
<u>PAINT, BULK (1 qt.)</u>				285195	Sealer, Gasket (.20 Fl. Oz.) (6 ml)		8212546RP	Inlet Hoses, 4 Ft. (Two Black Hoses W/Straight Ends & 4 Rubber Washers)
	799344	White (Uncut)					8212641RP	Inlet Hoses, 5 Ft. (Two Black Hoses W/Straight Ends & 4 Rubber Washers)
							8212545RP	Inlet Hoses, 5 Ft. (One Red Hose & One Blue Hose W/Straight Ends & 4 Rubber Washers)
							8212487RP	Inlet Hoses, 5 Ft. (Two Braided Hoses W/Straight Ends & 4 Rubber Washers)
							8212637RP	Inlet Hoses, 6 Ft. (Two Black Hoses W/One Straight End & One 90 Degree End & 4 Rubber Washers)
							8212638RP	Inlet Hoses, 6 Ft. (Two Braided Hoses W/One Straight End & One 90 Degree End & 4 Rubber Washers)
							285448A	Hose Washers (Package of 4)
							285452A	Hose Screen (Package of 2)

FOR ORDERING INFORMATION REFER TO PARTS PRICE LIST