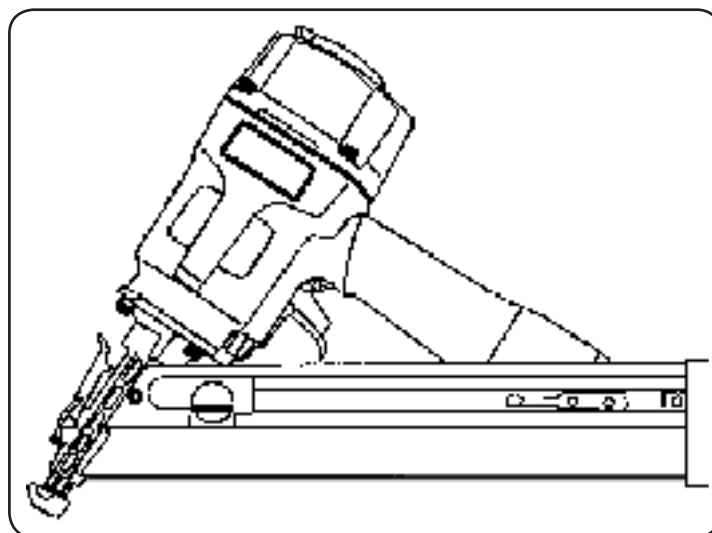




15 GAUGE AIR ANGLE NAILER

Model 47612

SET UP AND OPERATING INSTRUCTIONS



Distributed exclusively by Harbor Freight Tools®.

3491 Mission Oaks Blvd., Camarillo, CA 93011

Visit our website at: <http://www.harborfreight.com>



Read and understand tool labels and manual. Failure to follow warnings could result in DEATH or SERIOUS INJURY. SAVE THIS MANUAL.

Copyright© 2005 by Harbor Freight Tools®. All rights reserved. No portion of this manual or any artwork contained herein may be reproduced in any shape or form without the express written consent of Harbor Freight Tools. Diagrams within this manual may not be drawn proportionally. Due to continuing improvements, actual product may differ slightly from the product described herein. Tools required for assembly and service may not be included.

For technical questions or replacement parts, please call 1-800-444-3353.

Cover revised 09b

Specifications

Air Inlet	1/4" NPT
Recommended Air Pressure	70 – 120 PSI *
Nail Size Capacity	1-1/4" to 2-1/2" Long Nails
Nail Type	15 Gauge – 34°
Magazine Capacity	100 Nails
Safety Feature	Full Sequential Contact Tip
Overall Dimensions	15-1/4" x 10-3/4" x 3-5/8"
Accessories	Three Hex Wrenches, Air Tool Oil
Fasteners Available At	SKU 90097 (15 GA Nails, 1-1/4", 1000 PC)
Harbor Freight Tools	SKU 90104 (15 GA Nails, 1-1/2", 1000 PC) SKU 90105 (15 GA Nails, 2", 1000 PC)

* The air pressure setting must not exceed job site regulations/restrictions. The air pressure setting must not exceed 90 PSI when being used with work pieces that have a thickness of less than 1-3/4".

Note: Performance of the compressor (if powered by line voltage) may vary depending on variations in local line voltage. Extension cord usage may also affect the tool performance.

Save This Manual

You will need this manual for the safety warnings and precautions, assembly, operating, inspection, maintenance and cleaning procedures, parts list and assembly diagram. Keep your invoice with this manual. Write the invoice number on the inside of the front cover. Keep this manual and invoice in a safe and dry place for future reference.


Safety Warnings and Precautions




WARNING: When using tool, basic safety precautions should always be followed to reduce the risk of personal injury and damage to equipment.

Read all instructions before using this tool!

1. **Keep work area clean.** Cluttered areas invite injuries.
2. **Observe work area conditions.** Do not use machines or power tools in damp or wet locations. Do not expose to rain. Keep work area well lit. Do not use electrically powered tools in the presence of flammable gases or liquids.
3. **Keep children away.** Children must never be allowed in the work area. Do not let them handle machines, tools, extension cords, or air hoses.
4. **Store idle equipment.** When not in use, tools must be stored in a dry location to inhibit rust. Always lock up tools and keep out of reach of children.

5. **Use the right tool for the job.** Do not attempt to force a small tool or attachment to do the work of a larger industrial tool. There are certain applications for which this tool was designed. It will do the job better and more safely at the rate for which it was intended. Do not modify this tool and do not use this tool for a purpose for which it was not intended.
6. **Dress properly.** Do not wear loose clothing or jewelry as they can be caught in moving parts. Protective, electrically non-conductive clothes and non-skid footwear are recommended when working. Wear restrictive hair covering to contain long hair.
7. **Do not overreach.** Keep proper footing and balance at all times. Do not reach over or across running machines or air hoses.
8.  **Use eye and ear protection.** Always wear ANSI approved impact safety goggles and appropriate hearing protection. Wear a full face shield if you are producing metal filings or wood chips. Wear an ANSI approved dust mask or respirator when working around metal, wood, and chemical dusts and mists. Other people in the work area must also wear ANSI approved impact safety goggles.
9. **Maintain tools with care.** Keep tools clean for better and safer performance. Follow instructions for lubricating and changing accessories. Inspect tool cords and air hoses periodically and, if damaged, have them repaired by an authorized technician. The handle must be kept clean, dry, and free from oil and grease at all times. Do not operate a tool if any portion of the tool's operating controls are inoperable, disconnected, altered or not working properly.
10. **Disconnect Air Hose and release any built-up air pressure.** Never service the Nailer, clear jams, or disassemble with the air hose attached. Always release any built-up air even after disconnecting hose. Disconnect the Nailer when not in use.
11. **Remove adjusting keys and wrenches.** Check that keys and adjusting wrenches are removed from the tool or machine work surface before attaching to an air source.
12. **Avoid unintentional starting.** Be sure the trigger is in the Off position when not in use and before plugging in. Do not carry any tool with your finger on the trigger, whether it is attached to an air source or not. Do not point the tool towards yourself or anyone whether it contains fasteners or not.
13. **Stay alert.** Watch what you are doing, use common sense. Do not operate any tool when you are tired.
14. **Check for damaged parts.** Before using any tool, any part that appears damaged should be carefully checked to determine that it will operate properly and perform its intended function. Check for alignment and binding of moving parts; any broken parts or mounting fixtures; and any other condition that may affect proper opera-

tion. Any part that is damaged should be properly repaired or replaced by a qualified technician. Do not use the tool if the trigger does not operate properly.

15. **Guard against electric shock.** Prevent body contact with grounded surfaces such as pipes, radiators, ranges, and refrigerator enclosures.
16. **Replacement parts and accessories.** This product is to be repaired and serviced only by a qualified technician. When this product is serviced, only identical replacement parts should be used. Use of any other parts will void the warranty. Only use accessories intended for use with this tool. Approved accessories are available from Harbor Freight Tools.
17. **Do not operate tool if under the influence of alcohol or drugs.** Read warning labels if taking prescription medicine to determine if your judgement or reflexes are impaired while taking drugs. If there is any doubt, do not operate the tool.
18. **Use proper size and type extension cord.** If an extension cord is required, it must be of the proper size and type to supply the correct current to the compressor without heating up. Otherwise, the extension cord could melt and catch fire, or cause electrical damage to the tool. Check your air compressor's manual for the appropriate size cord. It is also possible that the use of an extension cord may cause your circuit breaker to trip or your panel fuse to break. If this happens, either use the compressor without an extension cord or find a larger amperage circuit to use.
19. **Maintenance.** The maintenance outlined in the maintenance section should be performed regularly. For your safety, this product should be serviced or repaired regularly only by a qualified technician.
20. **Compressed air only.** Never use combustible gas as a power source.
21.  **Do not load nails with the trigger or safety depressed.** Unintentional firing may occur. Do not load nails when the air hose is connected to the tool. Always assume the tool contains fasteners.
22. **Disconnect air supply before loading the Nailer.** Before reloading (or making any adjustments to) the Nailer, make sure the compressed air is disconnected.
23. **Fire fasteners into an appropriate work surface only.** Do not attempt to fire fasteners into surfaces too hard to penetrate. Do not drive fasteners on top of other fasteners, or at too steep an angle. Fasteners can ricochet causing personal injury. Never fire the Nailer into the air, or point it toward yourself or another person. Always wear ANSI approved safety goggles during use, maintenance, and reloading.
24. **Do not fire fasteners too close to the edge of a workpiece.** They may split the workpiece and fly free, causing personal injury.

25. **Take caution, as some woods contain preservatives such as copper chromium arsenate (CCA) which can be toxic.** When stapling or nailing these materials extra care should be taken to avoid inhalation and minimize skin contact.
26. **WARNING: Some dust created by power sanding, sawing, grinding, drilling, and other construction activities contain chemicals known (to the State of California) to cause cancer, birth defects, or other reproductive harm. Some examples of these chemicals are:**
 - * **Lead from lead-based paints**
 - * **Crystalline silica from bricks and cement and other masonry products**
 - * **Arsenic and chromium from chemically treated lumber.****(California Health & Safety Code § 25249.5, et seq.)**
27. **Stay within air pressure capacity.** Never operate the Nailer above 120 PSI.
28. **Hold tool away from head and body.** During operation the Nailer may kick back causing injury.
29. **Transport Nailer safely.** Always disconnect air supply when moving the tool in the workplace. Carry the tool by the handle to avoid contact with the trigger.
30. **Avoid working alone.** If an accident happens, an assistant can bring help.
31. **Warning: The warnings, cautions, and instructions discussed in this instruction manual cannot cover all possible conditions and situations that may occur. It must be understood by the operator that common sense and caution are factors which cannot be built into this product, but must be supplied by the operator.**

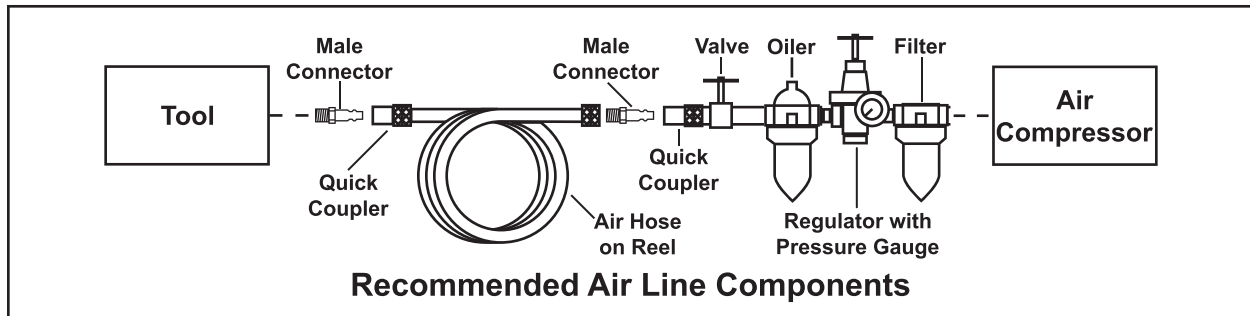
Unpacking

When unpacking, check to make sure all parts shown in the Parts List on page 11 are included. If any parts are missing or broken, please call Harbor Freight Tools at the number on the cover of this manual as soon as possible.

Operation

For best service, you should incorporate an oiler, regulator, and inline filter, as shown in the diagram below. Hoses, couplers, oilers, regulators, and filters are all available at Harbor Freight Tools.

Note: For smoother operation and to extend the life-span of the tool, put 3-5 drops of pneumatic tool oil in the attached Air Inlet (57) before each use.



Testing the Full Sequential Safety Trip Mechanism

Warning: Even though the nailer should be empty during this procedure, **ALWAYS** point the nailer at a piece of scrap wood when testing.

1. Make sure the tool is disconnected from the air supply.
2. Completely empty the Magazine (69) of nails.
3. The Nailer should not fire if the nose is not depressed against the workpiece.
4. Make sure the Trigger (47) and nose move freely, without sticking - see the illustration on the following page.
5. Connect the air supply to the tool at the Air Inlet (57). Set the regulator at the recommended **70 PSI to 120 PSI**.
6. Test the tool by depressing the nose against the workpiece without pulling the Trigger (47). **The Tool must not cycle (fire)**. If it cycles (fires), stop immediately and have it repaired by a qualified service technician.
7. Hold the tool away or off of the workpiece. The nose of the tool should return to its original position. Squeeze the Trigger (47). **The tool should not cycle (fire)**. If

the tool fires, stop immediately and have it repaired by a qualified service technician.

8. Depress the nose against the workpiece and squeeze the Trigger (47). **The tool must cycle (fire) only once.** Release the Trigger and squeeze it again. **The tool must not cycle (fire).** With the Trigger held, carefully lift the nailer and press it against the workpiece again. **The tool must not cycle (fire).** If it fails to perform in the manner explained in bold, have it repaired by a qualified service technician.

Loading Nails

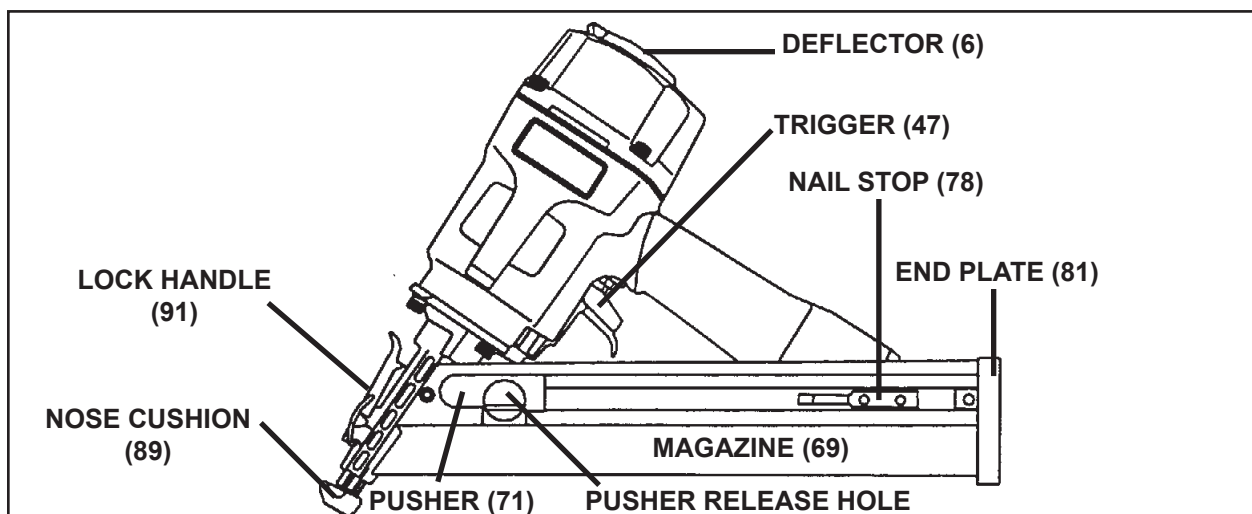


ALWAYS WEAR ANSI APPROVED IMPACT SAFETY GOGGLES WHEN RELOADING OR DOING ANY OTHER MAINTENANCE ON THIS TOOL.

Other people in the work area must also wear ANSI approved impact safety goggles.

Warning! Make sure the Nailer is not attached to the air hose whenever loading the tool.

1. Insert the Nails into the opening in the End Plate (81) and into the Magazine (69), letting the heads of the Nails ride in the Magazine T-Slot until they are past the Nail Stop (78) (small pin inside Magazine). Bring the Pusher (71) to the rear of the Magazine, and release it to apply pressure on the Nails.



Operating the Nailer



ALWAYS WEAR ANSI APPROVED IMPACT SAFETY GOGGLES WHEN RELOADING OR DOING ANY OTHER MAINTENANCE ON THIS TOOL.

Other people in the work area must also wear ANSI approved impact safety goggles.

1. Attach the Nailer to the air supply at the Air Inlet (57). Start your compressor and check the pressure making sure it is set at the recommended 70-120 PSI.
2. Rotate the Deflector (6) so that the exhaust air blast will be directed away from the operator.
3. To fire, place the Nose Cushion (89) of the Nailer on the workpiece. With the Trigger (47), Nails can only be driven one way. First, depress the Nose Cushion against the workpiece. Then, pull the Trigger. The Nailer should not fire if the Nose Cushion is not depressed. This feature is helpful when precise fastener placement is required. Also, it may reduce the possibility of injury to you or to others working with you.
4. Do not press the Nose Cushion (89) against the work surface with extra force. Allow the tool to do the work. Always allow the tool to recoil off the work surface.
5. When finished using the Nailer, always disconnect the tool from its compressed air supply. Empty the Magazine (69) completely of nails. Attempt to fire the Nailer into a piece of scrap wood to ensure it is disconnected and is incapable of firing any nails.
6. Make sure to store the Nailer in its accessory Carrying Case and in a clean, dry, safe location out of reach of children.

Anytime any maintenance or repairs are done (including clearing jams), FIRST:

1. Disconnect the Nailer from the air hose.
2. Empty the Magazine (69) completely.
3. Attempt to fire the Nailer into a piece of scrap wood to ensure that it is disconnected and is incapable of firing any nails.

Clearing Jams



ALWAYS WEAR ANSI APPROVED IMPACT SAFETY GOGGLES WHEN CLEARING JAMS OR DOING ANY OTHER MAINTENANCE ON THIS TOOL.

Other people in the work area must also wear ANSI approved impact safety goggles.

1. Occasionally a Nail may become jammed in the firing mechanism of the Nailer, making the tool inoperable. To remove a jammed nail, disconnect the Nailer from its compressed air supply. Attempt to fire the Nailer into a piece of scrap wood to ensure it is disconnected and is incapable of firing any nails.
2. **Have an assistant carefully pull and hold the Pusher (71) back. IF THE PUSHER (71) IS SUDDENLY ALLOWED TO COME FORWARD, FASTENERS OR DEBRIS MAY FLY OUT OF THE NAILER, POTENTIALLY CAUSING SERIOUS PERSONAL INJURY.**
3. Open the Lock Handle Unit (91), and remove the Driver Guide Cover A (67). While keeping the Nailer from being pointed at any person or delicate object, have your assistant slowly slide the pusher forward in a controlled manner.

If the pusher cannot eject all the nails, including the jammed nail(s), then **have the assistant hold the pusher back** while you use a pair of needle nose pliers (not included) to remove the jammed nail(s) (usually from the Driver Guide (59) area). Then, slowly bring the Pusher forward to empty the magazine, ensuring no jams remain.

4. Replace the Driver Guide Cover A, close the Lock Handle Unit, and reload the Magazine (69) with Nails. Then, reconnect the air supply hose to the tool.
5. Press the Nose Cushion (89) against a scrap piece of wood, and test fire the Nailer several times while checking for proper operation. If the Nailer is properly firing, you may continue using the Nailer. If the tool *fails* to perform properly, immediately discontinue use and have it repaired by a qualified service technician.
6. When finished working, disconnect the air supply. Remove the Nails. Then, store the Nailer out of reach of children.

Anytime any maintenance or repairs are done (including clearing jams), FIRST:

1. Disconnect the Nailer from the air hose.
2. Empty the Magazine (69) completely.
3. Attempt to fire the Nailer into a piece of scrap wood to ensure that it is disconnected and is incapable of firing any nails.

Inspection, Maintenance, and Cleaning

1. Inspect the Nailer frequently and lubricate periodically with Pneumatic tool oil, then wipe dry. Do not use detergent oil or additives as these lubricants will cause accelerated wear to the internal seals.
2. Inspect the air supply filter, if present, before each use and clean or replace as necessary. Dirt and water in the air supply filter are major causes of pneumatic tool wear. Use a filter/oiler for better performance and longer tool life. The filter must have adequate flow capacity for the specific application.
3. Clean the external parts of the Nailer with a clean cloth and mild detergent or nonflammable solvent. Then, dry.
4. Store the unit in a safe, clean, dry location out of reach of children and other unauthorized people.
5. **All maintenance, service, or repairs not listed in this manual are only to be attempted by a qualified technician.**

Please Read the Following Carefully

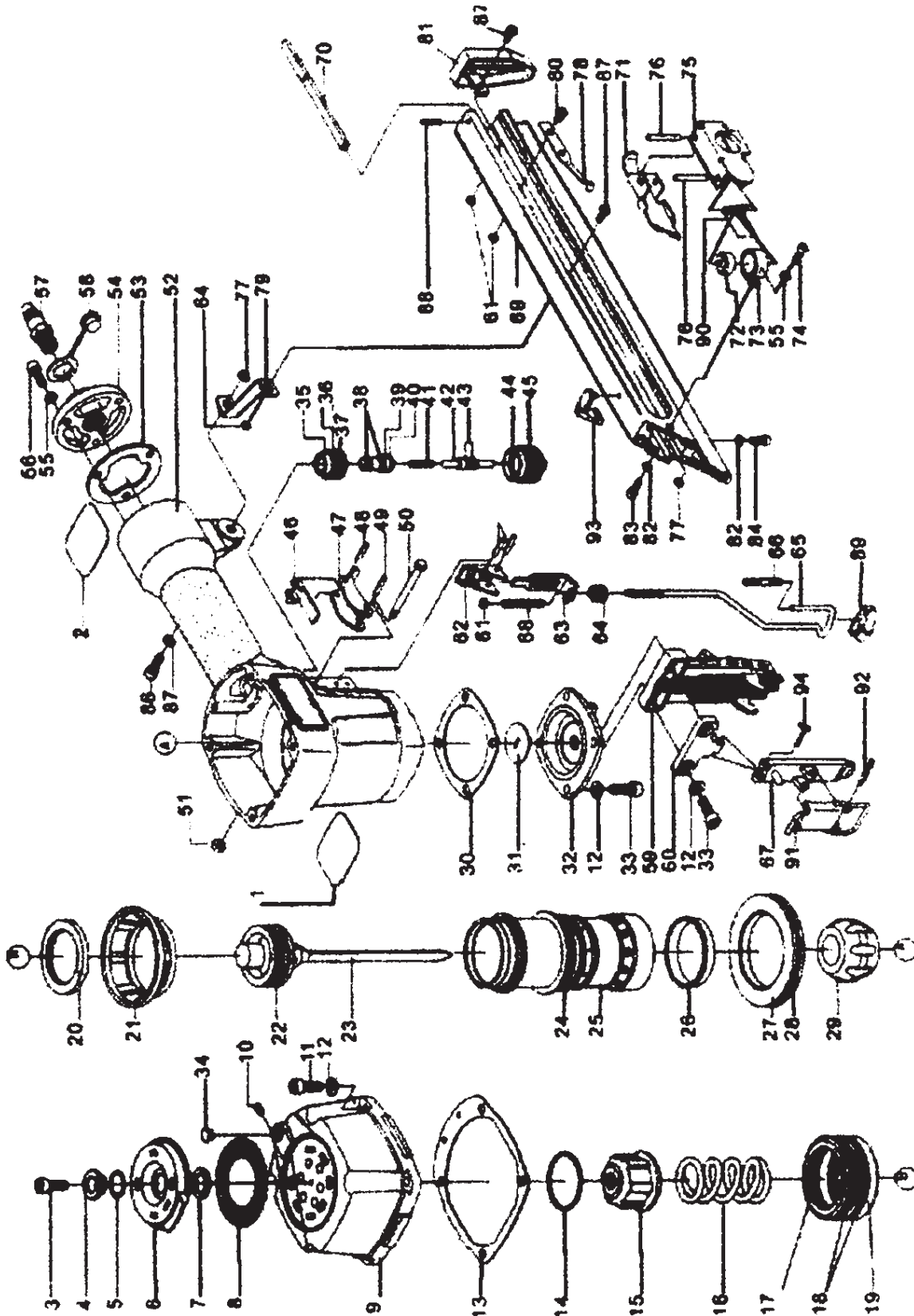
THE MANUFACTURER AND/OR DISTRIBUTOR HAS PROVIDED THE PARTS LIST AND ASSEMBLY DIAGRAM IN THIS MANUAL AS A REFERENCE TOOL ONLY. NEITHER THE MANUFACTURER OR DISTRIBUTOR MAKES ANY REPRESENTATION OR WARRANTY OF ANY KIND TO THE BUYER THAT HE OR SHE IS QUALIFIED TO MAKE ANY REPAIRS TO THE PRODUCT, OR THAT HE OR SHE IS QUALIFIED TO REPLACE ANY PARTS OF THE PRODUCT. IN FACT, THE MANUFACTURER AND/OR DISTRIBUTOR EXPRESSLY STATES THAT ALL REPAIRS AND PARTS REPLACEMENTS SHOULD BE UNDERTAKEN BY CERTIFIED AND LICENSED TECHNICIANS, AND NOT BY THE BUYER. THE BUYER ASSUMES ALL RISK AND LIABILITY ARISING OUT OF HIS OR HER REPAIRS TO THE ORIGINAL PRODUCT OR REPLACEMENT PARTS THERETO, OR ARISING OUT OF HIS OR HER INSTALLATION OF REPLACEMENT PARTS THERETO.

PARTS LIST

Part	Description	Part	Description	Part	Description
1	Nameplate	33	Bolt	65	Safety
2	Warning Plate	34	Grommet	66	Safety Spring
3	Bolt	35	Valve	67	Driver Guide Cover A
4	Washer	36	O-Ring	68	Spring
5	O-Ring	37	O-Ring	69	Magazine
6	Deflector	38	O-Ring	70	Steel Channel
7	Rubber Pad	39	Valve Plunger	71	Pusher
8	Muffler	40	O-Ring	72	Rolling Element
9	Cap	41	Spring	73	Spring
10	Set Screw	42	Trigger Valve Stem	74	Bolt
11	Bolt	43	O-Ring	75	Pin eje. ext. Handle
12	Lock Washer	44	Cap Plunger	76	Rolled Pin
13	Gasket Cap	45	O-Ring	77	Lock Nut
14	Washer	46	Secondary Trigger	78	Nail Stop
15	Piston Stop	47	Trigger	79	Mounting Bracket
16	Spring	48	Rolled Pin	80	Bolt
17	O-Ring	49	Rolled Pin	81	End Plate
18	O-Ring	50	Roll Pin, Early Units	82	Lock Washer
19	Hd. Valve Piston	51	Retainer	83	Bolt
20	Hd. Valve Seal	52	Gun Body	84	Bolt
21	Cylinder Press Ring	53	Gasket End Cap	85	Lock Washer
22	O-Ring	54	End Cap	86	Bolt
23	Driver Pin	55	Lock Washer	87	Bolt
24	O-Ring	56	Bolt	88	Spring Pin
25	Cylinder	57	Air Inlet	89	Nose Cushion
26	Cylinder Ring	58	Protective Cover	90	Spring
27	Cylinder Spacer	59	Driver Guide	91	Lock Handle Unit
28	O-Ring	60	Driver Guide B	92	Rolled Pin
29	Bumper	61	Lock Nut	93	Safety Damper
30	Gasket Nose Flange	62	Safety Guide	94	Roll Pin, Early Units
31	Driver Guide Washer	63	Safety Driver Guide		
32	Flange (Nose)	64	Adjusting Nut		

NOTE: Some parts are listed and shown for illustration purposes only, and are not available individually as replacement parts.

ASSEMBLY DIAGRAM



NOTE: Some parts are listed and shown for illustration purposes only, and are not available individually as replacement parts.