

*Vinotemp*<sup>®</sup>

**WINE-MATE Split System**

***Installation, Operation & Care Manual***

**VINO-2500SSR**

**VINO-4500SSR**

**VINO-6500SSR**



***Vinotemp International Corp.***

**[www.winemate.com](http://www.winemate.com)**

**READ AND SAVE THESE INSTRUCTIONS**

# TABLE OF CONTENTS

<b>Important Safety Information.....</b>	<b>2</b>
<b>Feature Description.....</b>	<b>3</b>
<b>Cellar Construction.....</b>	<b>6</b>
<b>Installer’s Instruction.....</b>	<b>7</b>
<b>Temperature Control &amp; Humidity Adjustment.....</b>	<b>14</b>
<b>Care Guide.....</b>	<b>19</b>
<b>User’ Troubleshooting.....</b>	<b>20</b>
<b>Customer Support.....</b>	<b>22</b>
<b>Warranty.....</b>	<b>23</b>

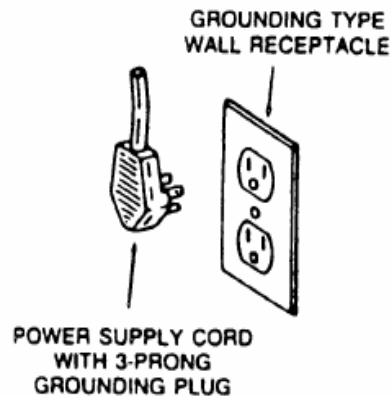
## Important Safety Information

### **WARNING**



#### To avoid the risk of electrical shock, property damage, personal injury or death:

- The power cord must be plugged into a 3-prong grounding-type wall receptacle, grounded in accordance with the National Electrical Code, ANSI/NFPA 70 - latest edition and local codes and ordinances.
- It is the personal responsibility of the consumer to have a proper 3-prong wall receptacle installed by a qualified electrician.
- **DO NOT, UNDER ANY CIRCUMSTANCES, REMOVE THE POWER CORD GROUNDING PRONG.**
- A separate adequately fused and grounded circuit should be available for this appliance.
- Do not remove any grounding wires from individual components while servicing, unless the component is to be removed and replaced. *It is extremely important to replace all grounding wires when components are replaced.*



### **WARNING**



#### **ELECTRIC SHOCK HAZARD**

- Disconnect electric supply from appliance before servicing.
- Replace all panels before operating.
- Failure to do so could result in death or electrical shock.

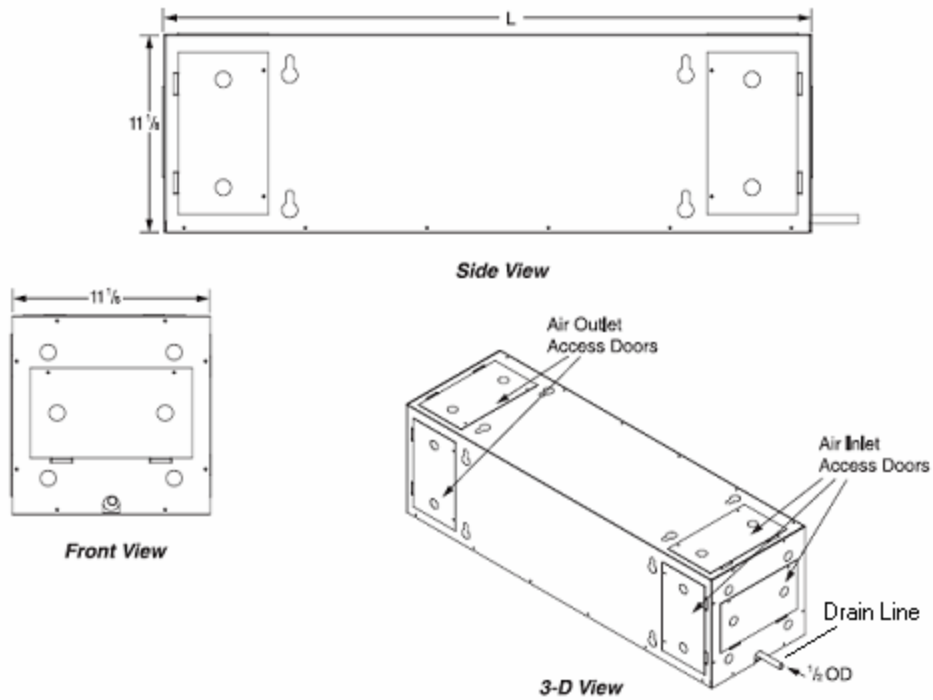
- **DO NOT USE A GROUND FAULT INTERRUPTER (GFI).**
- **A DEDICATED 20 AMP CIRCUIT IS HIGHLY RECOMMENDED.**

## Feature Description

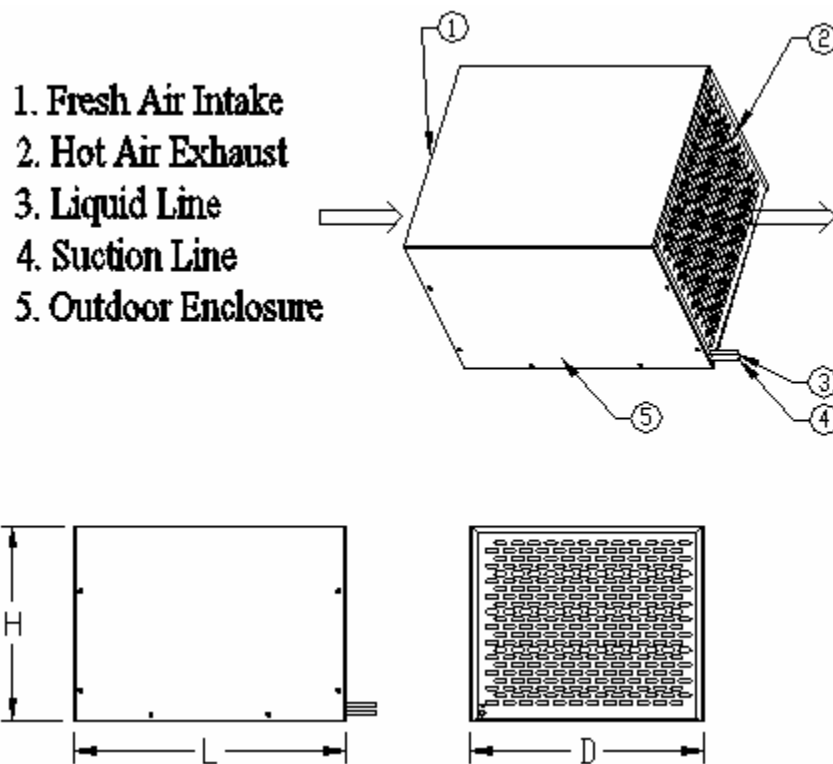
- Wine-Mate split cooling systems VINO2500-6500SSR are designed and used to provide a cold temperature between 50~65 °F for a properly insulated wine room at a normal environment.
- The wine room will maintain humidity of 50~70% RH even when the environment becomes dry and humid. These temperatures and humidities are optimized for long term storage of wine.
- SSR units consist of a condensing unit and an evaporator unit, and they are connected by a liquid line and an insulated suction line.
- SSR condensing units can be located away from the evaporator units and wine cellars as far as 50 feet, which will bring you quiet operation.
- The SSR evaporator units are designed for installation inside a wine rack or between two ceiling joists, making them an ideal choice for small and medium wine rooms.

The dimensions and capacities are specified as follows:

MODEL	EVAP UNIT L"xH"xD"	COND UNIT L"xH"xD"	Btu/h (55/90°F) CFM	BOTTLE CAPACITY		REFRIGERANT	ELECTRICAL EVAP UNIT/ COND UNIT	WEIGHT(lb) EVAP UNIT/ COND UNIT
				(55/75°F)	(55/75°F)			
VINO-2500SSR	WM-25SFCR 30x11.375x11.125	WM-250SCU 18x14x12	2500/220	250 cu ft	1200 bottles	R134a	115V-60HZ-0.77A / 115V-60HZ-5.7A	26/40
VINO-4500SSR	WM-45SFCR 36x14.375x11.125	WM-450SCU 18x14x12	4500/335	1000 cu ft	4500 bottles	R134a	115V-60HZ-0.77A / 115V-60HZ-6.9A	35/60
VINO-6500SSR	WM-65SFCR 42x14.375x11.125	WM-650SCU 24x17x18	6500/420	1500 cu ft	6500 bottles	R134a	115V-60HZ-1.9A / 115V-60HZ-12A	43/60

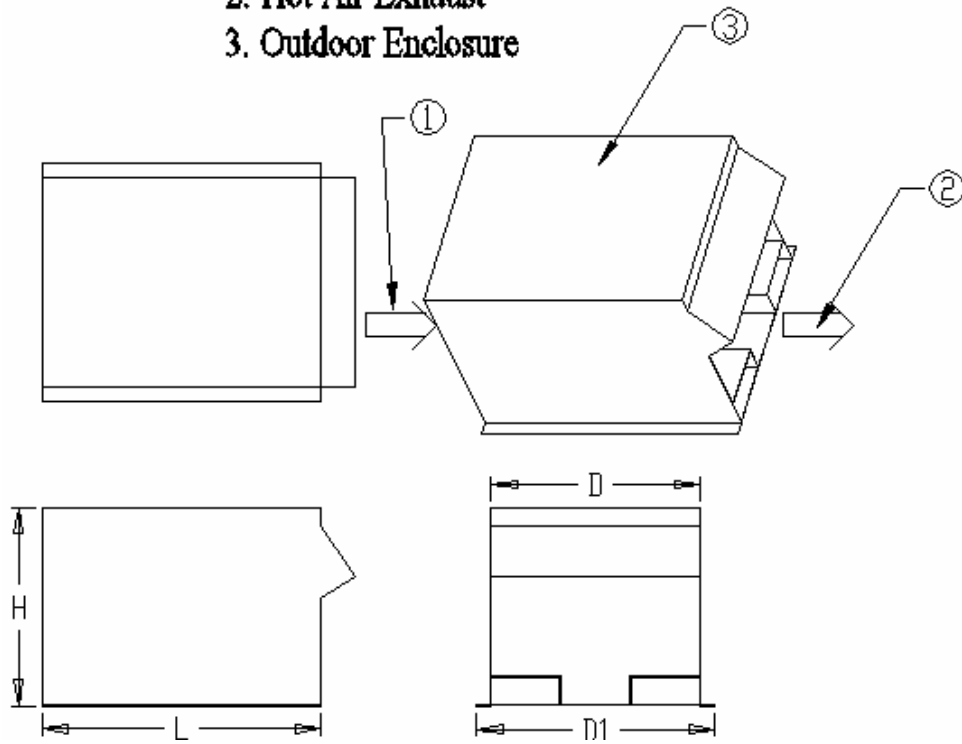


**Fig. 1.1 WM25-45SFCR Evaporator Unit**



**Fig. 1.2 WM250-450SCU Condensing Unit**

- 1. Fresh Air Intake
- 2. Hot Air Exhaust
- 3. Outdoor Enclosure



**Fig. 1.3 WM650SCU Condensing Unit**

## Cellar Construction

This is only a guide and shall be considered as minimum requirements.

All interior walls and floors shall have a vapor barrier and a minimum of R11 insulation. All exterior walls and ceiling shall have a vapor barrier and a minimum of R19 insulation. The vapor barrier shall be installed on the warm side of the insulation. All joints, door frames, electrical outlets or switches and any pipes or vents that go through the enclosure shall be sealed to prevent air and moisture leakage into the room. Concrete, rock, and brick are not insulation or vapor barriers.



Doors shall be of a minimum size, insulated to at least R11 and tightly sealed with high quality weather stripping. Be sure to seal the bottom of the door and fill gap between the door's frame and wall before installing the cap molding.

In order to maintain 55 °F in the wine cellar, the ambient temperature surrounding the enclosure shall not exceed the temperature of the enclosure by more than 25 °F. No enclosure wall shall receive direct sun or strong wind.

Lighting shall be of low wattage, with a timer to insure lights are not left on when the enclosure is not occupied.

The cooling system will not be able to maintain the proper temperature if fresh moisture-laden air is constantly being introduced to the enclosure. Symptoms of this condition are; unit runs all the time with only a slight reduction in temperature and/or water overflows from the unit. Because of the temperature difference between the inside and outside, very small cracks can allow large amounts of outside air to enter into the enclosure. Please be aware that moisture can pass through solid concrete, paint and wood. Often a newly constructed room contains fresh wood, paint, concrete and other building materials. These materials contain large amounts of moisture. When placed into operation in this type of environment, the system will work harder to remove this extra moisture resulting in increased "run" time.

## Installer's Instruction

 <b>WARNING</b>	
	<p>Always check wiring harness connections before initiating any test procedures.</p> <p>Disconnect electric power from the appliance before performing any maintenance or repairs.</p> <p>Voltage checks should be made by inserting meter probes beside the wires in the connector blocks with the electric power source on and the connector block plugged in.</p> <p>Resistance checks should be made on components with the electric power off and the connector block disconnected.</p>

### **Federal law requires that WINE-MATE split cooling systems be installed by an EPA certified refrigeration technician.**

WINE-MATE split system is shipped as components and is ready for use only after a certified refrigeration technician has properly installed, charged and tested the system. Proper installation is critical. Vinotemp can only warrant the quality of the components. The installation and proper operation of the system must be warranted by the installer. Installation of the system must be done in accordance with all state and local building codes.

The condensing unit and evaporator unit are connected by a liquid line and an insulated suction line that are supplied by the installer. These lines must be properly sized for the distance between the two units. After the units and the lines are installed, the system must be pressure tested. If no leaks are found, evacuate and charge system with R134A. Refrigerant amount will vary depending on the length of line set.

#### **1. Condensing Unit**

- Place the condensing units WM250-650SCU in a properly ventilated location. If it is not, heat exhausted by the condensing unit will build up and the cooling system will not operate properly.
- Leave minimum 5 feet clearance for the exhaust side and leave minimum 1 foot clearance for the fresh air intake side.
- Condensing unit shall be elevated to avoid possible flooding and shaded from direct sun. It shall not be exposed to temperatures higher than 110 °F or lower than 45 °F (optional low ambient kit for 20 °F).

#### **2. Evaporator Unit**

- The WM25-45SFCR evaporator units shall be installed for rack mount with the air supply from the left front, top or side and air return on the right front, top or side.



- Supply and return air flow from the evaporator unit shall be unobstructed for at least 1 foot.
- There is a gravity drain line so that it can not be installed above the evaporator unit. Otherwise a condensation pump must be used.

### 3. Air Sensor

- The air sensor can be located in the wine room or the return air area, but not the supply air area.

### 4. Refrigeration Piping and Charging

**NOTES: ALWAYS USE THE SUPERHEAT AND SUBCOOLING, PRESSURE READINGS TO CHARGE REFRIGERANT PROPERLY, THE LISTED CHARGES ARE FOR REFERENCE ONLY.**

- The installation order starts from condensing unit (including the receiver), liquid line filter-drier, moisture-liquid indicator (sight glass), liquid line, evaporator unit (including liquid line solenoid valve and thermostatic expansion valve or automatic expansion valve), suction line, and returning to condensing unit.
- The subcooling at the condensing unit shall be around 10° F. The charge may be complete when there are no more bubbles forming in the sight glass.
- The evaporator's constant pressure expansion valve is set around 38-40°F at factory. This pressure setting gives a dew point to maintain the humidity for storing wine.
- The superheat at the evaporator unit shall be around 9-18°F under low and high load at 75°F ambient temperature.
- Low side pressure: 33 psig
- High side pressure: 130 -150 psig at 75 -90 °F ambient temperatures

The line sizes and refrigerant charges are listed as follows.

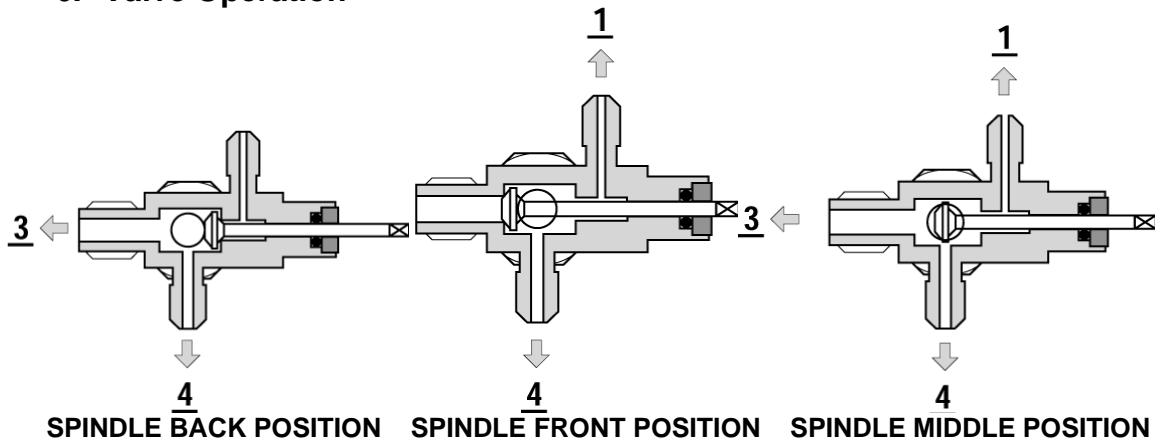
MODEL	REFRIGERATION LINES	LIQUID LINE	SUCTION LINE	DRAIN LINE	CHARGE
VINO-2500SSR	< 50 FT	1/4" OD	3/8" OD	1/2" OD	R134a/ 20 OZ
VINO-4500SSR	< 50 FT	1/4" OD	1/2" OD	1/2" OD	R134a/ 26 OZ
VINO-6500SSR	< 50 FT	1/4" OD	5/8" OD	1/2" OD	R134a/ 32 OZ

## 5. Pressure, Superheat and Subcooling Readings

**NOTES: THE VALVES MUST BE IN THE MIDDLE POSITIONS TO READ PROPERLY.**

Complaint	Possible Causes
a. High suction pressure and low head pressure	a. Compressor may be bad
b. High suction pressure and low head pressure Low superheat and low subcooling	b. Expansion valve opened, too much oil
c. High suction pressure and high head pressure Low superheat and high subcooling	c. Overcharge
d. High to normal suction pressure and high head pressure Low subcooling	d. Non-condensable gas
e. High suction pressure and high head pressure Low subcooling	e. Air restricted, dirty condenser, bad condenser fans
f. High suction pressure and high head pressure High superheat	f. High room temperature, high evaporator load
g. Low suction pressure and low head pressure High superheat and low subcooling	g. Undercharge
h. Low suction pressure and low to normal head pressure High superheat and high subcooling	h. Liquid line restricted after receiver, solenoid valve restricted
i. Low suction pressure and low head pressure Low subcooling	i. Suction line restricted
j. Low suction pressure and low head pressure Low superheat and low subcooling	j. Air restricted at evaporator, evaporator iced
k. Low suction pressure and low to normal head pressure High superheat and normal to high subcooling	k. Evaporator restricted
l. Low suction pressure and normal head pressure High superheat and normal subcooling	l. Expansion valve restricted
m. Low suction pressure and high head pressure High superheat and high subcooling	m. Both evaporator and condenser restricted
n. Low suction pressure and high head pressure High superheat and high subcooling	n. Liquid line restricted before receiver
o. low to normal suction pressure and high head pressure High to normal superheat and high subcooling	o. Condenser restricted

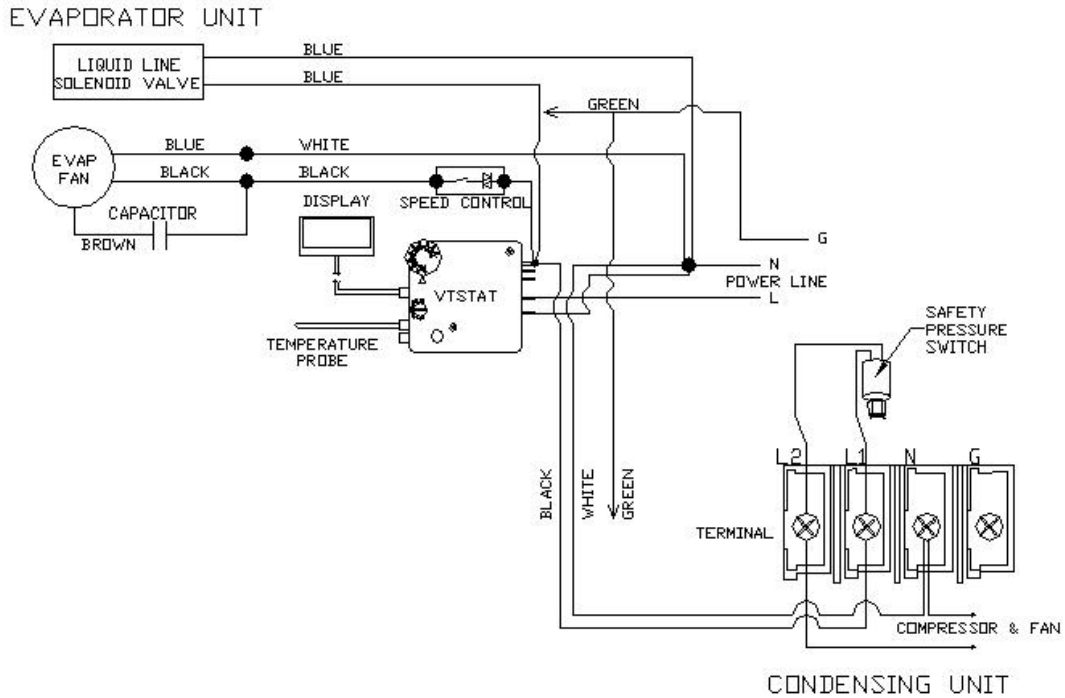
## 6. Valve Operation



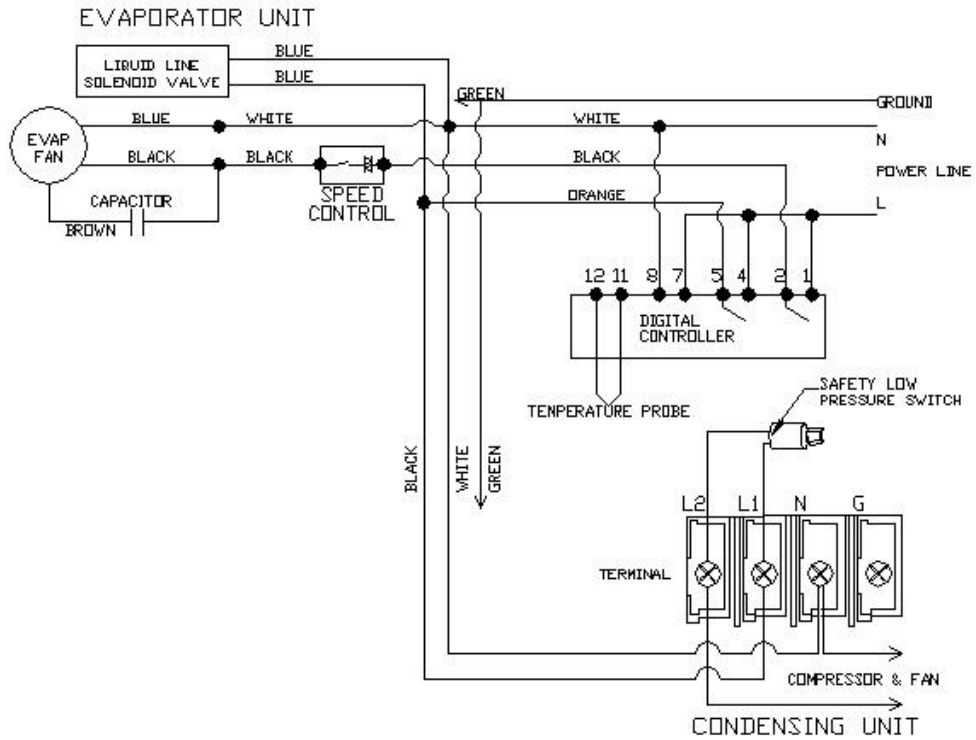
**Fig. 2.1 Valve Operation**

**Back Position:** Process and manometer port closed for normal operation  
**Front Position:** Main connection to liquid or suction line closed  
**Middle Position:** All ports open for vacuum, charge and measurement

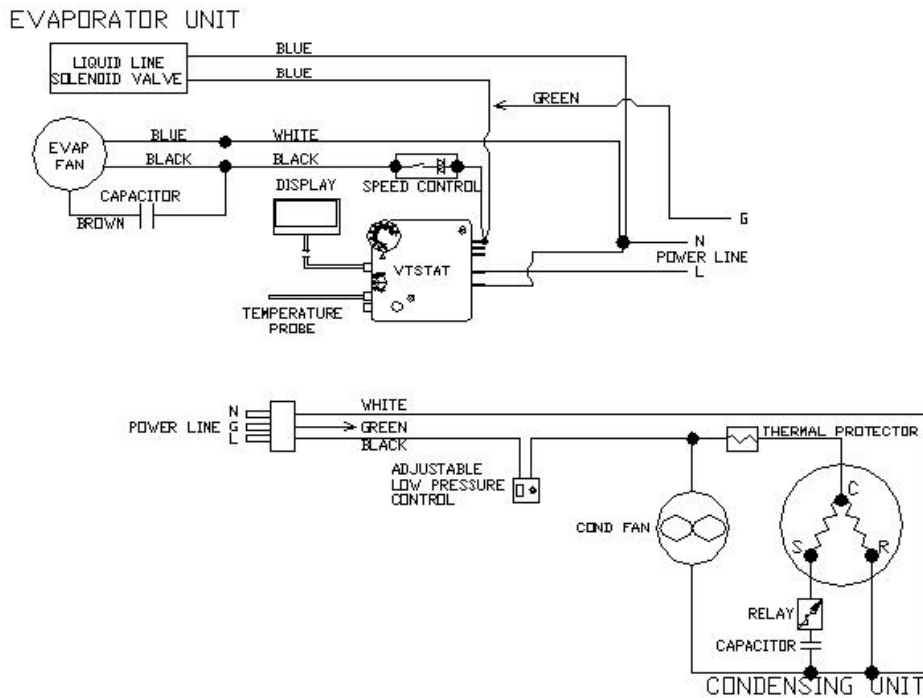
## 7. Electrical Wiring



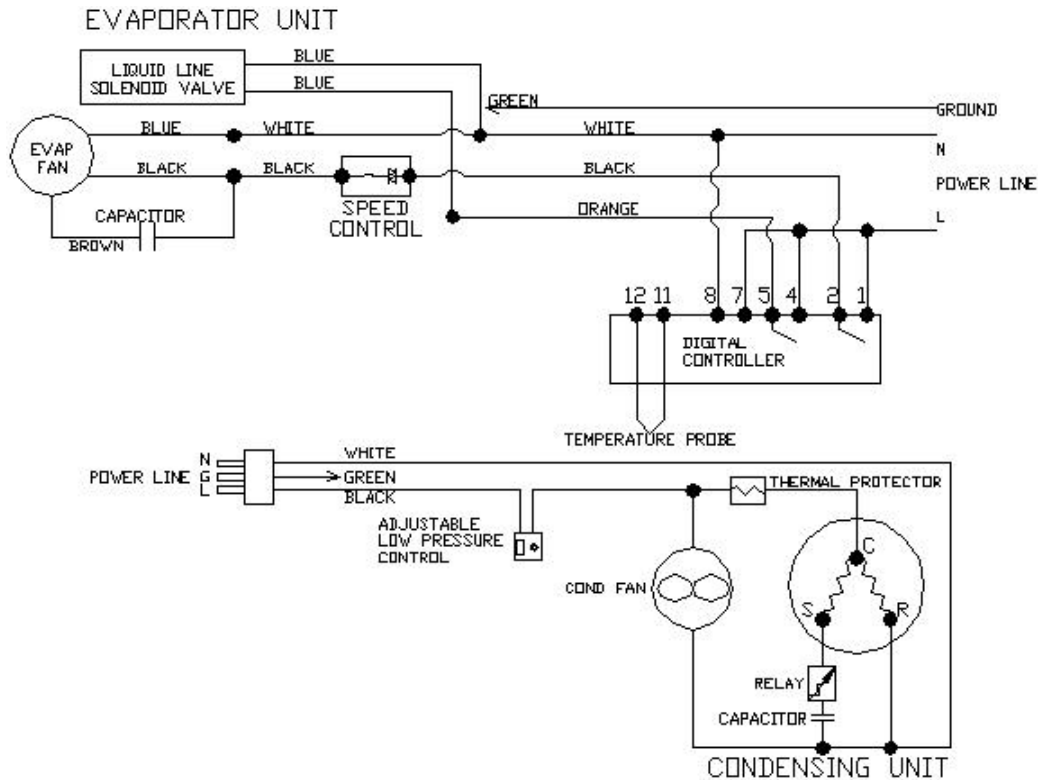
**Fig. 2.2 VINO2500-4500SSR Electrical Wiring Diagram (VTSTAT)**



**Fig. 2.3 VINO2500-4500SSR Wiring Diagram (DIGITAL CONTROLLER)**



**Fig. 2.4 VINO6500SSR Electrical Wiring Diagram (VTSTAT)**



**Fig. 2.5 VINO6500SSR Electrical Wiring Diagram (DIGITAL CONTROLLER)**

**8. Use of the adjustable low pressure control (if applicable)**

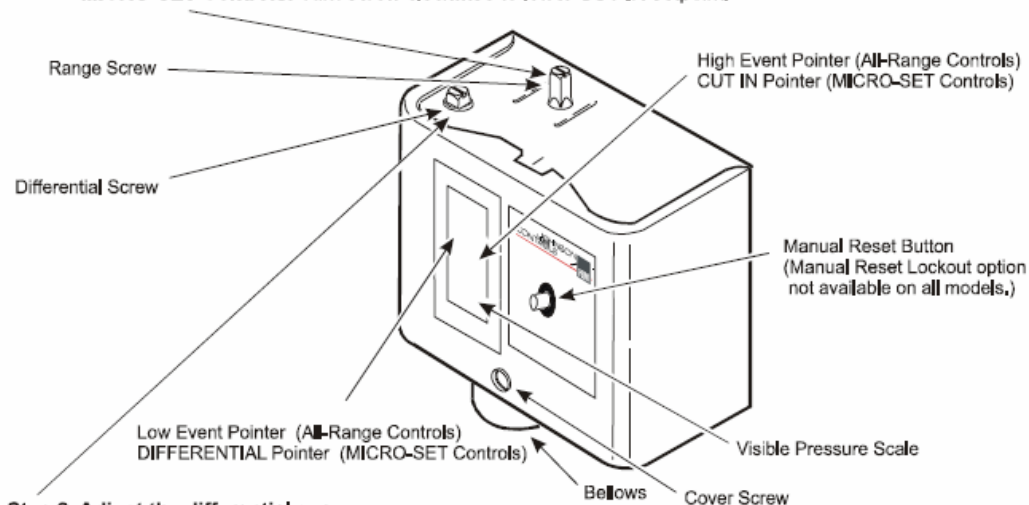
Cut out = 5 psig; Cut in = 25 psig; Differential = 20 psig

It may need to adjust the setting in the field to get the right cycle time.

**Step 1. Set high event by adjusting range screw.**

**All-Range Controls:** Turn screw clockwise to raise high event.

**MICRO-SET Controls:** Turn screw clockwise to lower CUT IN setpoint.



**Step 2. Adjust the differential screw.**

**All-Range Controls:** Turning the differential screw changes the low event.

Turn screw clockwise to lower Low Event.

**MICRO-SET Controls:** Turning the differential screw changes the differential setting.

Turn screw clockwise to increase DIFFERENTIAL.

**Fig. 2.6 Adjustable Pressure Control**

## 9. Condensing Unit Troubleshooting

Unit not running	
a. Incorrect power supply	a. Check for proper voltage
b. Incorrect or loose wirings	b. Check all wirings and connections
c. Failed components	c. Check start relay, start capacitor, overload protector, compressor.
d. Liquid refrigerant in the compressor	d. Call service for OEM information
e. Low pressure switch shutting down the system	e. Check for system restriction or low refrigerant

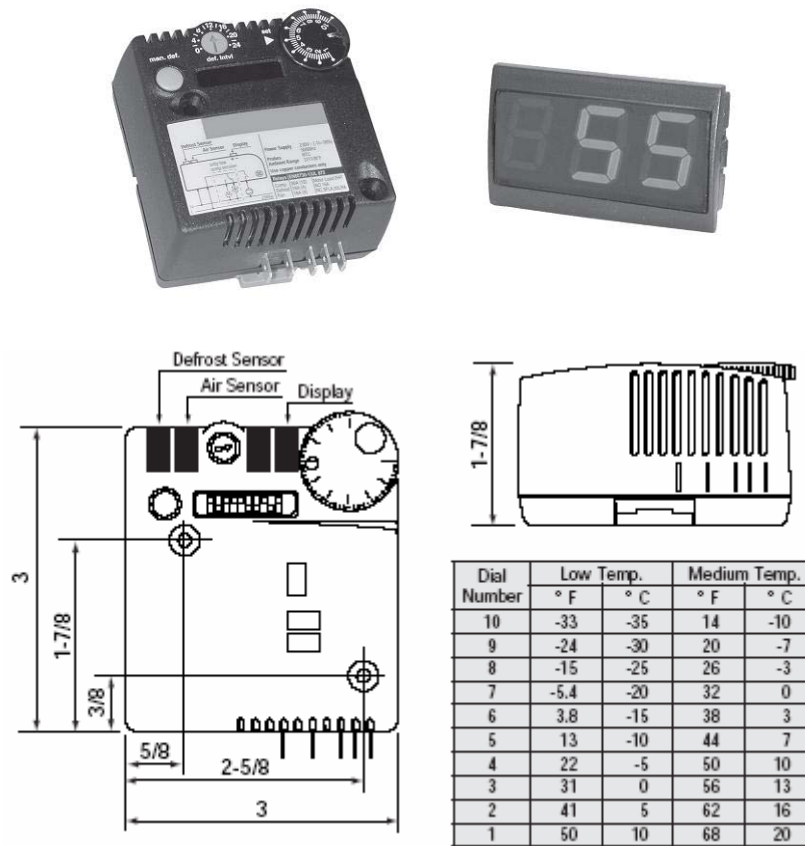
# Temperature Control & Humidity Adjustment

## 1. Temperature Setting

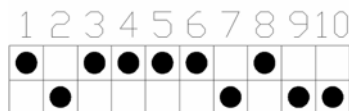
- Set the temperature at 55 °F for the optimum aging of wine
- On initial start-up, the time required to reach the desired temperature will vary, depending on the quantity of bottles, temperature setting and surrounding temperature.
- Allow 24 hours to stabilize the temperature for each new temperature setting operation

## 2. Use of the VTSTAT controller

**NOTE: Use the dial number for “Medium Temp”**



**Fig. 3.1 VTSTAT**



**Fig. 3.2 Default Dip Switch Setting**

### **Dip-switch description (See detail in VSTAT instruction )**

**1, 2** differential: added to the Set Point, establishes the temperature threshold, measured by the regulation probe, beyond which the compressor is activated;  
**3** compressor safety function: OFF - function disabled; ON - function enabled;  
**4** temperature display: OFF - displayed in °C; ON - displayed in °F;  
**5,...,8** duration of defrost/defrost termination temperature: if the defrost sensor is utilized, these dip-switches select the defrost termination temperature, otherwise they select the defrost duration;  
**9** type of defrost: OFF - resistance defrost, ON - hot gas defrost.

#### **1) Set Point**

Rotate the circular selector in correspondence with the arrow placed nearby. The selector represents 14°F to 68°F (-10°C to +20°C) for medium temperature models. "10" is the coldest setting, "1" is the warmest. Use the medium temp setting and place the dial at number 3.

#### **2) Differential**

It is possible to modify the differential from 1°F minimum to 12.5°F maximum. Simply shift the first two dip-switches to the ON or OFF position according to the wanted value.

#### **3) Defrost management and setting**

A defrost can be activated manually, by pressing the "man. def." button, or cyclically, the interval set by the "def.intvl" rotary switch at the top left with respect to Set Point selector. The interval can be selected from 1 to 12 hours in 1 hour steps. If the selector is positioned on the "0", the cyclic defrost is disabled.

**Note:** manual defrost reinitializes the time required for successive cyclic defrosting. The selections are effective beginning from the successive cycle. For an immediate effect, it is necessary to turn power to the VTSTAT off for a few seconds.

It is possible to choose between an electric defrost (the compressor is deactivated and the defrost relay is activated) and a hot gas defrost (both the compressor and the defrost relay are activated); The defrost termination, can take place by time (from 1 to 60 min.) or by temperature (from 0 to 86°F) if the defrost sensor is utilized for the correct programming). If the defrost sensor is disconnected, interrupted or breaks down for any reason, the defrost terminates after a maximum time of 90 minutes if it is resistance-based, or 40 minutes if it is hot-gas based.

The instrument stores the defrost state every 15 minutes to allow restart after power loss.

#### **4) Compressor safety function**

If the function is enabled, a minimum three minute interval is ensured between deactivation and successive restart of the compressor.



If the function is enabled, the compressor is not energized for three minutes after controller power up.  
The function is also active in hot-gas defrost mode.

### 5) LED & Display Messages

1. LED off	1. Compressor and defrost deactivated
2. LED on	2. Compressor energized
3. LED blinking 0.5s on/0.5s off	3. Defrost activated
4. LED blinking 0.5s on/1.5s off	4. Sensor fault
5. Display A1	5. Regulation probe fault
6. Display A2	6. Defrost probe fault

### 3. Use of the Digital Controller



**Fig. 3.3 Digital Controller**

#### 1) Display


During normal operating conditions, the display shows the value measured by the air regulation probe. In case of active alarm, the temperature flashes alternately to the code alarm.


##### 1.1 LED Functions


LED	MODE	FUNCTION
❄	ON	Compressor enabled
❄	Flashing	Anti-short cycle delay enabled
❄	ON	Defrost enabled
ⓘ	ON	An alarm is occurring
°C/°F	ON	Measurement unit
°C/°F	Flashing	Programming phase


##### 1.2 Front Panel Commands

**SET**: To display target set point; in programming mode it selects a parameter or confirm an operation.



 **(DEF)** To start a manual defrost


 **(UP)**: To see the max. stored temperature; in programming mode it browses the parameter codes or increases the displayed value.


 **(DOWN)** To see the min stored temperature; in programming mode it browses the parameter codes or decreases the displayed value.

 To turn ON or OFF the controller (if enabled)

#### KEY COMBINATIONS:

 +  To lock & unlock the keyboard.

**SET** +  To enter in programming mode.

**SET** +  To return to the room temperature display.

## 2) Alarm Signals

### 2.1 Code Description

Message	Cause	Outputs
"P1"	Room probe failure	Compressor output acc. to par. "Con" and "COF"
"HA"	Maximum temperature alarm	Outputs unchanged.
"LA"	Minimum temperature alarm	Outputs unchanged.
"CA"	Serious external alarm (i1F=bAL)	All outputs OFF.

### 2.2 Alarm Recovery

Probe alarms "P1", start a few seconds after the fault in the related probe; they automatically stop a few seconds after the probe restarts normal operation. Check connections before replacing the probe. Temperature alarms "HA", "LA" automatically stops as soon as the temperature returns to normal value. Alarm "CA" (with i1F=PAL) recovers only by switching off and on the instrument.

## 3) Temperature Set-Point

### 3.1 How to see the set-point

1. Push and immediately release the SET key: the display will show the Set-point value;
2. Push and immediately release the SET key or wait for 5 seconds to display the probe value again.

### 3.2 How to change the set-point

1. Push the SET key for more than 3 seconds to change the Set point value;

2. The value of the set point will be displayed and the “°C” or “°F” LED starts blinking;
3. To change the Set value, push the o or n arrows within 10s.
4. To memorize the new set point value, push the SET key again or wait 10s.

#### 4) Humidity Adjustment

The parameter **Fon** is used to adjust the humidity in the wine cabinet. The higher value of **Fon**, the higher relative humidity will be.

1. Press the **Set + ▾** keys for 3 sec until the “°C” or “°F” LED starts blinking.
2. Release the keys, then push again the **Set + ▾** keys for more than 7sec, the **Pr2** label will be displayed.
3. Release the keys, select the required parameter **Fon** by up or down keys **▲ ▾**.
4. Press the “**SET**” key to display its value.
5. Use up or down keys **▲ ▾** to change its value.
6. The default value is 0, change high or low value to maintain high or low humidity.
7. Press “**SET**” to store the new value.
8. **To exit:** Press **SET + ▲** or wait 15sec without pressing a key.

#### 5) Regulation Differential

The parameter **Hy** is used as intervention differential for set point. Compressor cut-in is the set-point + **Hy**, and compressor cut-out is the set-point.

1. Press the **Set + ▾** keys for 3 sec until the “°C” or “°F” LED starts blinking.
2. Release the keys, then push again the **Set + ▾** keys for more than 7sec, the **Pr2** label will be displayed.
3. Release the keys, HY will display immediately.
4. Press the “**SET**” key to display its value.
5. Use up or down keys **▲ ▾** to change its value.
6. The default value is 4, change high or low value to result in long high or short running cycle.
7. Press “**SET**” to store the new value.
8. **To exit:** Press **SET + ▲** or wait 15sec without pressing a key.

#### 6) Defrost Cycle



The parameter **IdF** is used as interval between defrost cycles.

1. Press the **Set + ▾** keys for 3 sec until the “°C” or “°F” LED starts blinking.
2. Release the keys, then push again the **Set + ▾** keys for more than 7sec, the **Pr2** label will be displayed.
3. Release the keys, select the required parameter **IdF** by up or down keys **▲ ▾**.
4. Press the “**SET**” key to display its value.
5. Use up or down keys **▲ ▾** to change its value.
6. 7. Press “**SET**” to store the new value.
8. **To exit:** Press **SET + ▲** or wait 15sec without pressing a key.

#### 7) Manual Defrost

Push the DEF key for more than 2 seconds and a manual defrost will start.

## Care Guide

 <b>WARNING</b>	
	<b>ELECTRIC SHOCK HAZARD</b> Disconnect the electrical power before servicing any components. Failure to do so can result in death or electrical shock.

In general, always unplug system or disconnect power while doing care.

### 1. Coil Cleaning

- Clean the condenser coil regularly. Coil may need to be cleaned at least every 6 months.
- Unplug the system or disconnect power.
- Use a vacuum cleaner with an extended attachment to clean the coil when it is dusty or dirty.
- Plug cooling system or reconnect power.

### 2. Moisture Removing

- Remove the extra condensate if it is accumulated in the wine cellar at high ambient temperature and humidity.

## User's Troubleshooting

This Troubleshooting Chart is not prepared to replace the training required for a professional refrigeration service person, not is it comprehensive

### Troubleshooting Chart

Complaint	Possible Causes	Response
<b>1. Unit not running</b>	<ul style="list-style-type: none"> <li>a. No power</li> <li>b. Power cord unplugged</li> <li>c. Setting higher than ambient temperature</li> <li>d. Defrost light blinking</li> <li>e. Compressor light blinking</li> <li>f. Low voltage.</li> <li>g. Incorrect or loose wirings.</li> </ul>	<ul style="list-style-type: none"> <li>a. Check power at receptacle &amp; fuses</li> <li>b. Check for power cord plug</li> <li>c. Lower temperature setting</li> <li>d. Unit is under defrost mode</li> <li>e. Unit waits for anti-short cycle delay</li> <li>f. Contact an authorized electrician</li> <li>g. Check all wirings and connections</li> </ul>
<b>2. Temperature fluctuating</b>	<ul style="list-style-type: none"> <li>a. Air sensor</li> </ul>	<p>When using an air sensor, the wine bottle temperature is mainly controlled by the average air temperature. If the set-point is 55°F with a differential 4 °F, the cooling unit turns on at 59°F of air temperature and turns off at 55°F of air temperature. The average air temperature is 57°F, and then the wine temperature is around 57+/-0.5°F. The air is light enough to change so quickly that it maintains relatively constant average temperature that would prevent wine bottle temperature from varying.</p>
<b>3. Temperature too high, Unit stopping and starting but short running time</b>	<ul style="list-style-type: none"> <li>a. Displaying 55°F, air sensor contacting the evaporator or in the supply air</li> <li>b. Setting too high</li> <li>c. Incorrect voltage</li> <li>d. Failed thermistor</li> <li>e. Failed components</li> <li>f. Improper condenser airflow</li> <li>g. Dirty condenser</li> <li>h. Overcharge of refrigerant</li> <li>i. Discharge or suction pressure too high</li> </ul>	<ul style="list-style-type: none"> <li>a. Move the air sensor away from the evaporator and supply air</li> <li>b. Lower setting</li> <li>c. Check for voltage</li> <li>d. Check thermistor by placing it in ice water and measuring resistance</li> <li>e. Check compressor windings, start relay and overload protector.</li> <li>f. Check for condenser fan</li> <li>g. Clean condenser</li> <li>h. Call service for removing refrigerant</li> <li>i. Call service for OEM information</li> </ul>
<b>4. Not cooling or Temperature too high and running continually</b>	<ul style="list-style-type: none"> <li>a. Improper room insulation &amp; seal</li> <li>b. Room too large</li> <li>c. Ambient temperature too high</li> <li>d. Exhaust restricted</li> </ul>	<ul style="list-style-type: none"> <li>a. Check for insulation, gasket and door opening</li> <li>b. Check for excessive size</li> <li>c. Check for installation location</li> <li>d. Leave minimum 3 feet clearance for the exhaust side and leave minimum 1 foot clearance for the fresh air</li> </ul>

	<ul style="list-style-type: none"> <li>e. Malfunctioning fans</li> <li>f. Improper evaporator or condenser airflow</li> <li>g. Dirty Condenser</li> <li>h. Iced evaporator</li> <li>i. Refrigeration system restriction</li> <li>j. Sealed system problem</li> <li>k. Undercharge or overcharge</li> </ul>	<p>intake side</p> <ul style="list-style-type: none"> <li>e. Check for both evaporator and condenser fans</li> <li>f. Check for air restrictions</li> <li>g. Clean condenser</li> <li>h. Defrost and reset temperature</li> <li>i. Call service for checking restrictions</li> <li>j. Call service for checking loss of refrigerant or restrictions</li> <li>k. Call service to add or remove refrigerant</li> </ul>
<b>5.Unit running too long or continually</b>	<ul style="list-style-type: none"> <li>a. Improper room insulation &amp; seal</li> <li>b. Exhaust restricted</li> <li>c. Room too large</li> <li>d. Ambient temperature higher &gt; 90°F</li> <li>e. Dirty Condenser</li> </ul>	<ul style="list-style-type: none"> <li>a. Check for insulation, gasket and door opening</li> <li>b. Leave minimum 3 feet clearance for the exhaust side and leave minimum 1 foot clearance for the fresh air intake side</li> <li>c. Check for excessive size or increase setting</li> <li>d. Check for installation location or increase setting</li> <li>e. Clean condenser</li> </ul>
<b>7.Evaporator icing</b>	<ul style="list-style-type: none"> <li>a. Evaporator air flow restriction</li> <li>b. Unit not stopping due to air leak, high ambient temperature or low setting</li> <li>c. Low ambient temperature</li> <li>d. Bad thermostat or sensor</li> <li>e. Refrigerant leak</li> <li>f. Expansion valve blockage</li> </ul>	<ul style="list-style-type: none"> <li>a. Check for fans</li> <li>b. Check for seal, door opening, ambient temperature and setting</li> <li>c. Defrost the unit</li> <li>d. Check for thermostat and sensor</li> <li>e. Check for sealed system leakage</li> <li>f. Check for low side pressure</li> </ul>
<b>8.Circuit tripping</b>	<ul style="list-style-type: none"> <li>a. Incorrect fuse or breaker</li> <li>b. Incorrect wirings</li> <li>c. Failed components</li> </ul>	<ul style="list-style-type: none"> <li>a. Check for proper fuse or breaker</li> <li>b. Check for wirings and connections</li> <li>c. Call service</li> </ul>
<b>9.Noisy operation</b>	<ul style="list-style-type: none"> <li>a. Mounting area not firm</li> <li>b. Loose parts</li> <li>c. Compressor overloaded due to high ambient temperatures or airflow restriction</li> <li>d. Malfunctioning components</li> </ul>	<ul style="list-style-type: none"> <li>a. Add support to improve installation</li> <li>b. Check fan blades, bearings, cabinet washers, tubing contact and loose screws.</li> <li>c. Check for airflow blockage</li> <li>d. Call service for checking Internal loose, inadequate lubrication and incorrect wirings</li> </ul>

## Customer Support

If you still have problems, please contact us at:

Vinotemp International  
17631 South Susana Road  
Rancho Dominguez, CA 90221  
Tel: (310) 886-3332  
Fax: (310) 886-3310  
Email: [info@vinotemp.com](mailto:info@vinotemp.com)

# Warranty

## Thank you for choosing a Vinotemp cooling unit.

Please enter the complete model and serial numbers in the space provided:

Model \_\_\_\_\_  
Serial No. \_\_\_\_\_

Attach your purchase receipt to this owner's manual.

### 1. Limited Warranty

VINOTEMP warrants its products, parts only, to be free from defects due to workmanship or materials under normal use and service for twelve months after the initial sale. If the product is defective due to workmanship or materials, is removed within twelve months of the initial sale and is returned to VINOTEMP, in the original shipping carton, shipping prepaid, VINOTEMP will at its option, repair or replace the product free of charge.

This warranty constitutes the entire warranty of the VINOTEMP with respect to its products and is in lieu of all other warranties, express or implied, including any of fitness for a particular purpose. In no event shall VINOTEMP be responsible for any consequential damages what is so ever. Any modification of VINOTEMP products shall void this warranty.

### Service under Warranty

This service is provided to customers within the continental UNITED STATES only. VINOTEMP cooling units are warranted to produce the stated number of BTU/H. While every effort has been made to provide accurate guidelines, VINOTEMP can not warranty its units to cool a particular enclosure.

In case of failure, VINOTEMP cooling units must be repaired by the factory or its authorized agent. Repairs or modifications made by anyone else will void the warranty.

Shall a VINOTEMP cooling unit fail, contact the dealer for instructions. Do not return the unit to the factory without authorization from VINOTEMP. If the unit requires repair, re-pack it in the original shipping carton and return it to the factory, shipping prepaid. VINOTEMP will not accept COD shipments. If the unit is determined to be faulty and is within the twelve month warranty period



VINOTEMP will, at its discretion, repair or replace the unit and return it free of charge to the original retail customer. If the unit is found to be in good working order, or beyond the initial twelve month period, it will be returned freight collect.

## **2. Limitation of Implied Warranty**

**VINOTEMP'S SOLE LIABILITY FOR ANY DEFECTIVE PRODUCT IS LIMITED TO, AT OUR OPTION, REPAIRING OR REPLACING OF UNIT.**

**VINOTEMP SHALL NOT BE LIABLE FOR:  
DAMAGE TO OTHER PROPERTY CAUSED BY ANY DEFECTS IN THE UNIT,  
DAMAGES BASED UPON INCONVENIENCE, LOSS OF USE OF THE UNIT,  
LOSS OF TIME OR COMMERCIAL LOSS, ANY OUTER DAMAGES,  
WHETHER INCIDENTAL, CONSEQUENTIAL OR OTHERWISE.**

**THIS WARRANTY IS EXCLUSIBE AND IS IN LIEU OF ALL OTHER  
WARRANTIES, EXPRESSED OR INPLIED, INCLUDING BUT NOT LIMITED  
TO, IMPLIED WARRANTIES OF MERCHANTABILITY OR FITNESS FOR A  
PARTICULAR PURPOSE.**

While great effort has been made to provide accurate guidelines VINOTEMP cannot warrant its units to properly cool a particular enclosure. Customers are cautioned that enclosure construction, unit location and many other factors can affect the operation and performance of the unit. There for suitability of the unit for a specific enclosure or application must be determined by the customer and cannot be warranted by VINOTEMP.