

## Air Valve Repair Kit 257087

313757B

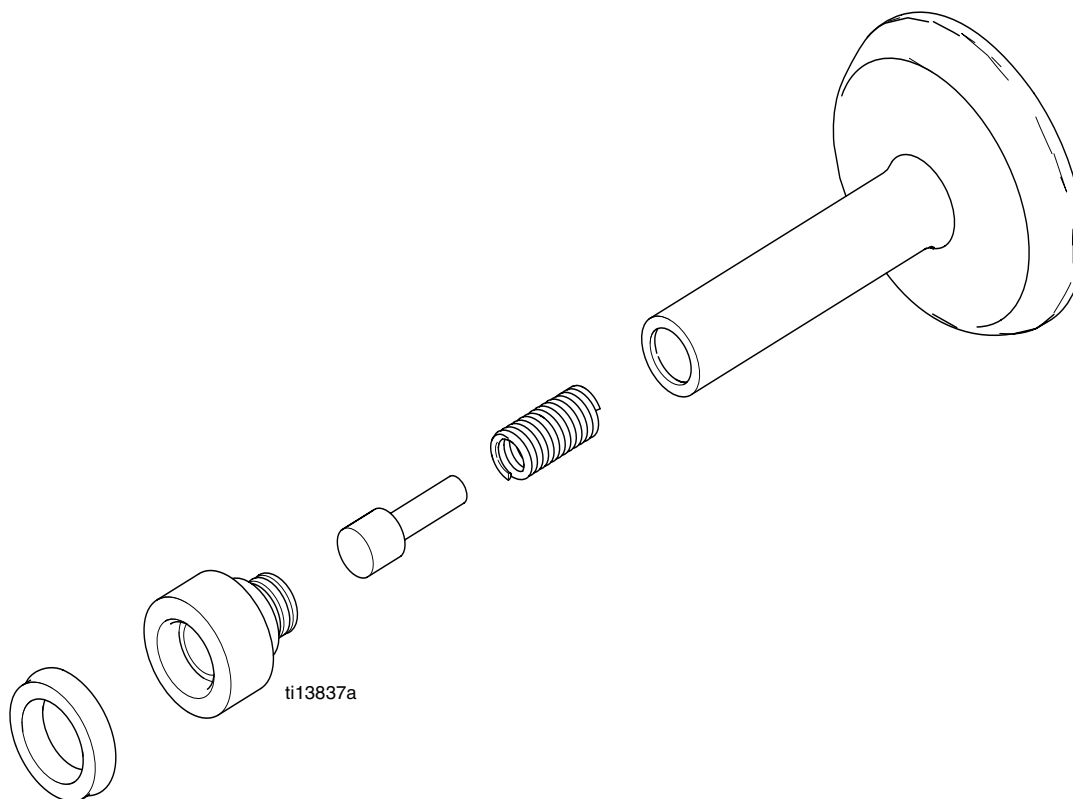
*- This manual contains kit installation instructions only -*

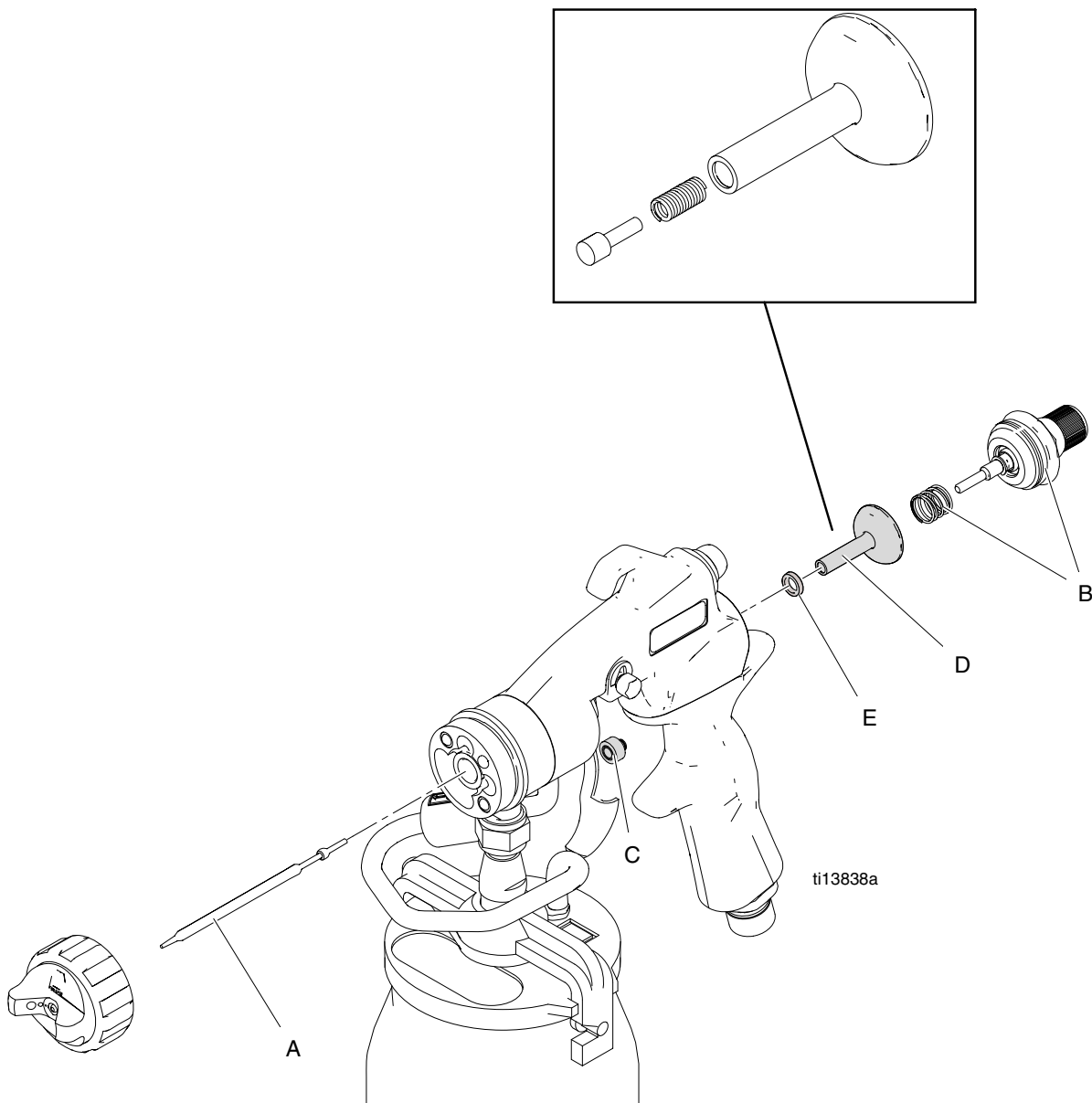
**For use with the following gun models: 256855, 256856, 257092, 257388, 257827**



### **IMPORTANT SAFETY INSTRUCTIONS**

For detailed gun information and warnings, see manual included with gun.





1. Remove needle (A).
2. Remove fluid stop and spring (B).
3. Remove brass nut (C) from air valve and remove air valve (D) from gun. Do not lose small pieces in air valve.
4. Replace packing (E).
5. Install new air valve (D).
6. Install brass nut (C) on air valve.
7. Install fluid stop and spring (B).
8. Install needle (A).

*All written and visual data contained in this document reflects the latest product information available at the time of publication. Graco reserves the right to make changes at any time without notice.*

*This manual contains English. MM 313752*

**Graco Headquarters:** Minneapolis  
**International Offices:** Belgium, China, Japan, Korea

**GRACO INC. P.O. BOX 1441 MINNEAPOLIS, MN 55440-1441**  
 Copyright 2008, Graco Inc. is registered to I.S. EN ISO 9001  
 www.graco.com  
 Copyright 2009