



Illustrated Parts List

Model Series

31N800

TYPE NUMBERS
.0440.

TABLE OF CONTENTS

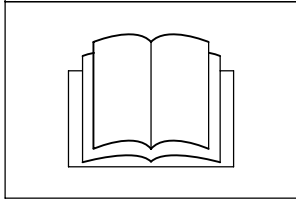
Air Cleaner	5
Alternator	7
Blower Housing	5
Camshaft	2
Carburetor	4
Controls	7
Crankshaft	2
Cylinder	2
Cylinder Head	3
Electric Starter	7
Engine Sump	2
Flywheel	6
Fuel Supply	5
Gasket Set - Engine	2
Gasket Set - Valve	3
Governor Spring	7
Ignition	7
Kit - Carburetor Overhaul	4
Lubrication	3
Operator's Manual	2
Piston, Rings, Connecting Rod	2
Valves	3
Warning Label	2

PRINTED IN U.S.A.



COPYRIGHT by BRIGGS & STRATTON CORPORATION
All rights reserved. No part of this material may be reproduced or transmitted, in any form or by any means, electronic or mechanical, including photocopying, recording or by any information storage and retrieval system, without permission in writing from Briggs & Stratton Corporation.

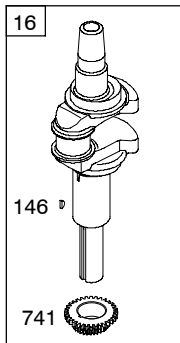
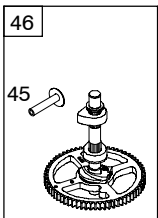
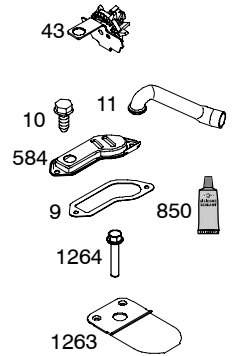
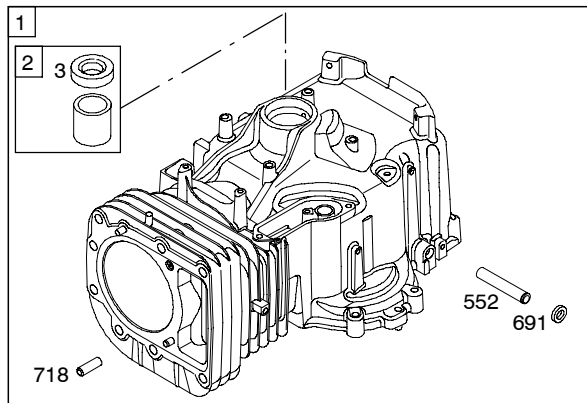
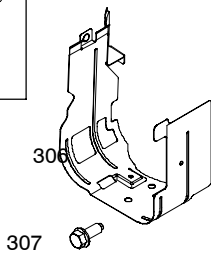
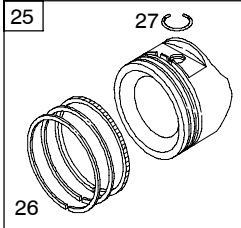
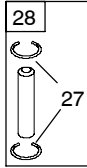
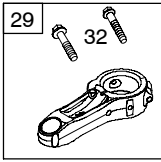
1058 OPERATOR'S MANUAL



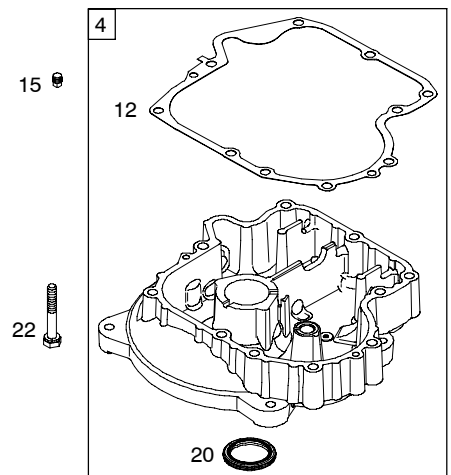
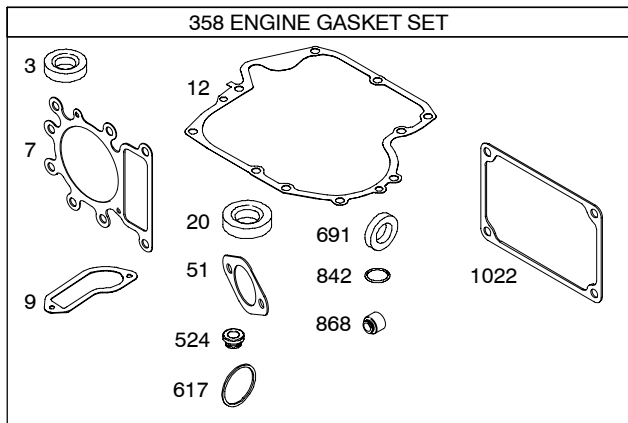
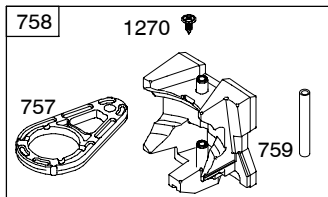
1319 WARNING LABEL

WARNING	
	Read and follow Operating Instructions before running engine.
	Gasoline is flammable. Allow engine to cool at least 2 minutes before refueling.
	Engines emit carbon monoxide, DO NOT run in enclosed area.
	Muffler area temperature may exceed 150°F. Do not touch hot parts.

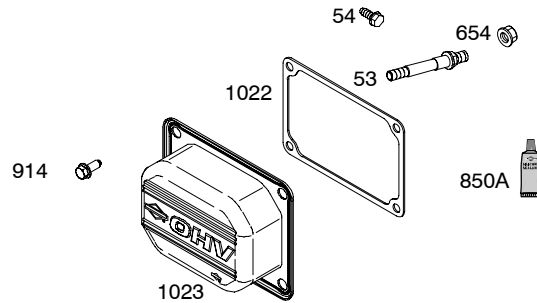
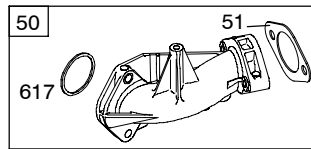
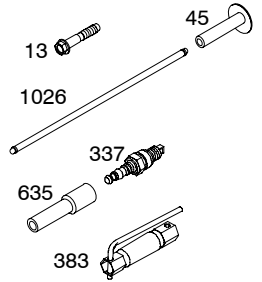
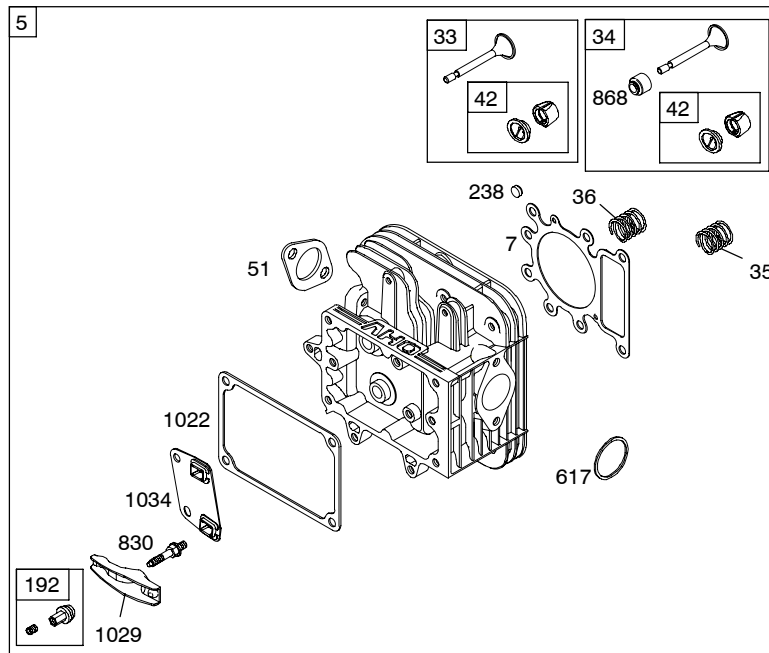
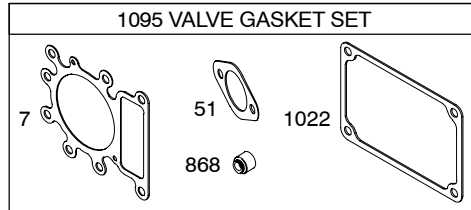
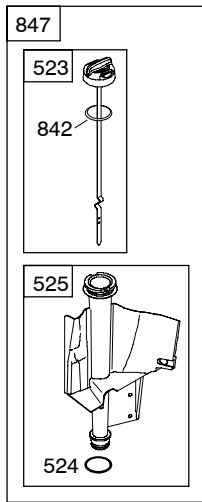
REQUIRED when replacing parts with warning labels affixed.



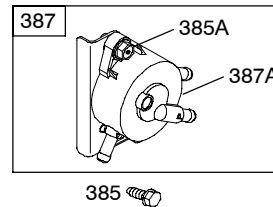
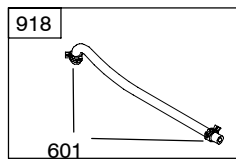
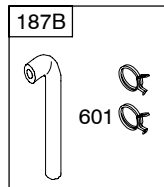
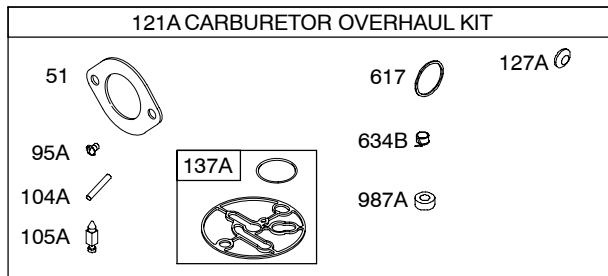
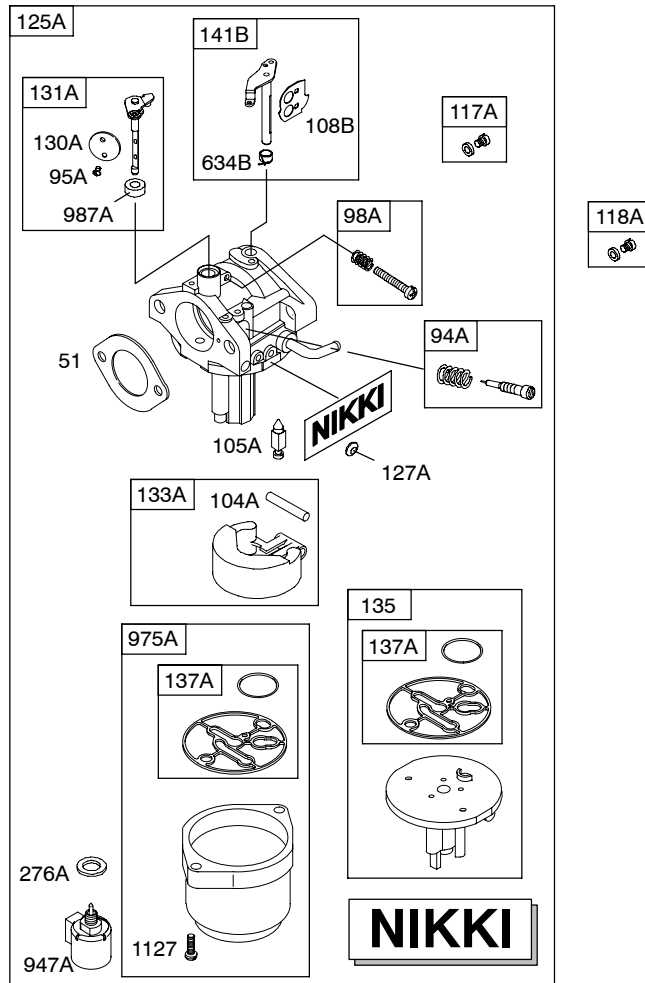
24



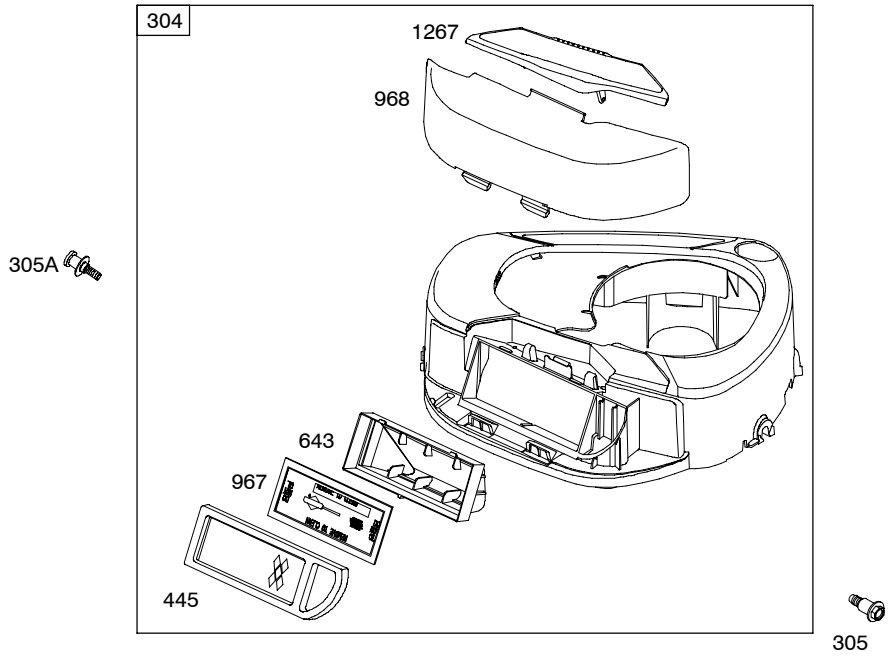
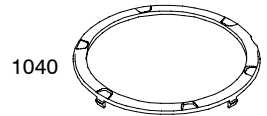
Illustrations cover a range of engines. Parts shown without corresponding text may not be used on your specific engine.



Illustrations cover a range of engines. Parts shown without corresponding text may not be used on your specific engine.

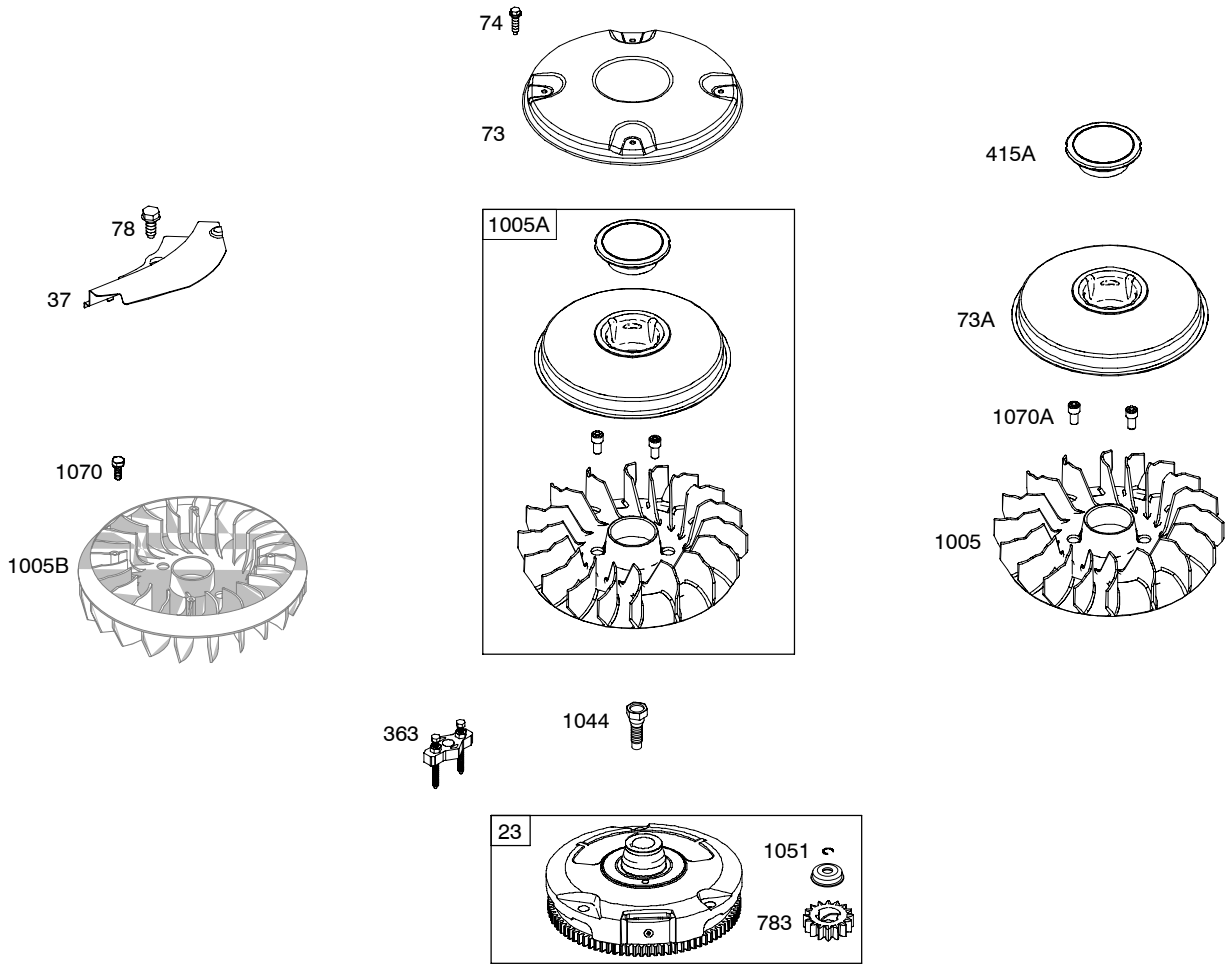


Illustrations cover a range of engines. Parts shown without corresponding text may not be used on your specific engine.

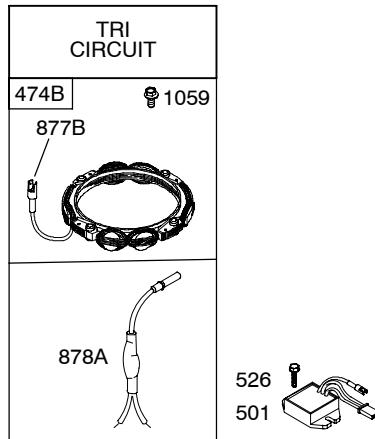


1036 EMISSIONS LABEL

31N800

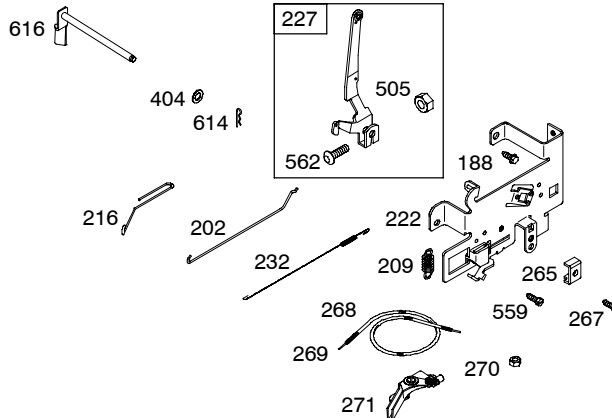
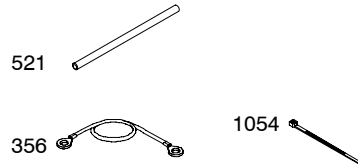
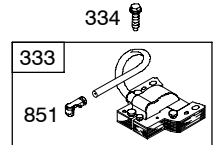
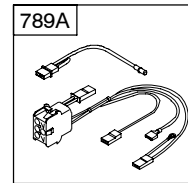
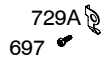
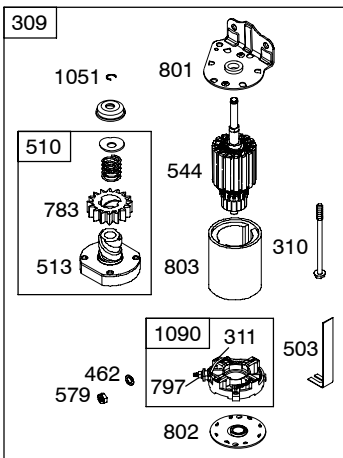


Illustrations cover a range of engines. Parts shown without corresponding text may not be used on your specific engine.



NOTE: All stators use a No. 1119 mounting screw.

NOTE: The proper flywheel part number and/or the alternator magnet size will determine the alternator type or output. See repair instruction manual for additional information.



Illustrations cover a range of engines. Parts shown without corresponding text may not be used on your specific engine.

31N800

REF. NO.	PART NO.	DESCRIPTION	REF. NO.	PART NO.	DESCRIPTION	REF. NO.	PART NO.	DESCRIPTION
1	793987	Cylinder Assembly	29	791631	Rod-Connecting (Standard)	127A	●690727	Plug-Welch
2	399265	Kit-Bushing/Seal (Magneto Side)	33	791934	Valve-Exhaust	130A	699500	Valve-Throttle
3	★391086s	Seal-Oil (Magneto Side)	34	791935	Valve-Intake	131A	699501	Kit-Throttle Shaft
4	697106	Sump-Engine	35	691279	Spring-Valve (Intake)	133A	694914	Float-Carburetor
5	793989	Head-Cylinder	36	691279	Spring-Valve (Exhaust)	135	792022	Tube-Fuel Transfer
7	★△699168	Gasket-Cylinder Head	37	697352	Guard-Flywheel	137A	●698781	Gasket-Float Bowl
9	★697109	Gasket-Breather (Used Before Code Date 07072400).	42	499586	Keeper-Valve	141B	698778	Kit-Choke Shaft
10	697157	Screw (Breather Assembly)	43	691968	Slinger-Governor/Oil	146	691639	Key-Timing
11	794683	Tube-Breather (Used After Code Date 07071800).	45	690564	Tappet-Valve	187B	791805	Line-Fuel (Formed)(10-1/4 Inches Long)(Cut to Required Length)
		----- Note -----	46	793880	Camshaft	188	691693	Screw (Control Bracket)
		697113 Tube-Breather (Used Before Code Date 07071900).	50	690193	Manifold-Intake	192	691986	Adjuster-Rocker Arm
12	★697110	Gasket-Crankcase (.015"Thick)(Standard)	51★△●692137	Gasket-Intake	202	691841	Link-Mechanical Governor	
13	793988	Screw (Cylinder Head) (Used After Code Date 07011400).	53	690227	Stud (Carburetor)	209	692208	Spring-Governor
		----- Note -----	54	691148	Screw (Intake Manifold)	216	691840	Link-Choke
		690360 Screw (Cylinder Head) (Used Before Code Date 07011500).	73		Screen-Rotating (Service With Flywheel Fan 794436) (Used Before Code Date 07040900).	222	694042	Bracket-Control
15	690946	Plug-Oil Drain (Square Head)	74	697897	Screw (Rotating Screen) (Used Before Code Date 07040900).	227	691374	Lever-Governor Control
16	697127	Crankshaft	78	691003	Screw (Flywheel Guard)	232	691842	Spring-Governor Link
20	★791892	Seal-Oil (PTO Side)	94A	695425	Kit-Idle Mixture	238	691843	Cap-Valve
22	692125	Screw (Crankcase Cover/Sump)	95A	●690718	Screw (Throttle Valve)	240A	691035	Filter-Fuel (Includes Paper Element With A 40 Micron Rating)
23	693556	Flywheel	98A	695408	Kit-Idle Speed	265	691024	Clamp-Casing
24	222698s	Key-Flywheel	104A	●694918	Pin-Float Hinge	267	792629	Screw (Casing Clamp)
25	791937	Piston Assembly (Standard)	105A	●696136	Valve-Float Needle	268	691025	Casing-Control Wire (Cut To Required Length)
		----- Note -----	108B	695419	Valve-Choke	269	691026	Wire-Control (Cut To Required Length)
		793019 Piston Assembly (.020 Oversize)	117A	699732	Jet-Main (Standard)	270	691027	Nut (Control Wire Casing)
26	791936	Ring Set (Standard)	118A	843099	Jet-Main (High Altitude)	271	691028	Lever-Control
		----- Note -----	121A	792369	Kit-Carburetor Overhaul (Nikki Carburetor)	276A	695410	Washer-Sealing
		792649 Ring Set (.020 Oversize)	125A	792171	Carburetor (Nikki Carburetor)	304	790929	Housing-Blower (Red)
27	698469	Lock-Piston Pin				305	697102	Screw (Blower Housing)
28	697099	Pin-Piston (Standard)				305A	793376	Screw (Blower Housing)(Lift Screw)

★ Included in Engine Gasket Set-Ref. No.358.

● Included in Carburetor Overhaul Kit-Ref. No. 121A.

△ Included in Valve Gasket Set-Ref. No 1095.

Illustrations cover a range of engines. Parts shown without corresponding text may not be used on your specific engine.

31N800

REF. NO.	PART NO.	DESCRIPTION	REF. NO.	PART NO.	DESCRIPTION	REF. NO.	PART NO.	DESCRIPTION
306	697107	Shield-Cylinder	579	691029	Nut (Starter Cable)	851	692424	Terminal-Spark Plug
307	691003	Screw (Cylinder Shield)	584	794682	Cover-Breather Passage (Used After Code Date 07071800).	868	★△690968	Seal-Valve
309	693551	Motor-Starter				877B	393537	Wire/Connector- Alternator
310	690323	Screw (Starter Motor)				878A	691955	Harness-Alternator
311	497608	Brush Set				914	691108	Screw (Rocker Cover)
333	795315	Armature-Magneto				918	791851	Hose-Vacuum
334	691061	Screw (Magneto Armature)				947A	699915	Solenoid-Fuel
337	491055S	Plug-Spark				967	697015	Filter-Pre Cleaner
356	697089	Wire-Stop				968	699830	Cover-Air Cleaner (Red)
358	794150	Gasket Set-Engine	601	791850	Clamp-Hose	975A	699502	Bowl-Float
363	19203	Puller-Flywheel	614	691620	Pin-Cotter	987A	●698777	Seal-Throttle Shaft
383	89838S	Wrench-Spark Plug	616	692012	Crank-Governor	1005	794438	Fan-Flywheel (Used After Code Date 07040800).
385	694476	Screw (Fuel Pump)	617	★●692138	Seal-O Ring (Intake Manifold)	1005A	794436	Fan-Flywheel (Used Before Code Date 07040900).
385A	690297	Screw (Fuel Pump)	634B	●698779	Spring/Seal Assembly	1005B		Fan-Flywheel (No Longer Available) (See Reference 1005A For Service Flywheel Fan).
387	697090	Pump-Fuel	635	691909	Boot-Spark Plug			
387A	808656	Pump-Fuel	643	698401	Retainer-Air Filter			
404	691691	Washer (Governor Crank)	654	690958	Nut (Carburetor)			
415A	794129	Plug (Cover/Retainer) (Used After Code Date 07040800).	691	★692407	Seal-Governor Shaft			
			697	690372	Screw (Drive Cap)			
			718	690959	Pin-Locating			
445	698083	Filter-Air Cleaner Cartridge (Non Washable)	729A	691224	Clip-Wire	1022★△272475s		Gasket-Rocker Cover (Used Before Code Date 07091100).
			741	697128	Gear-Timing			
462	691261	Washer (Starter Cable)	757	793242	Link-Counterweight	1023	791079	Cover-Rocker
474B	696457	Alternator (Tri Circuit)	758	793763	Counterweight	1026	692003	Rod-Push (Intake)
501	691188	Regulator	759	697392	Pin-Counterweight			
503	691532	Strap-Starter	783	693713	Gear-Pinion			
505	691251	Nut (Governor Control Lever)	789A	698329	Harness-Wiring			
			797	693167	Nut (Brush Retainer)	1029	691751	Arm-Rocker
510	693699	Drive-Starter	801	691283	Cap-Drive	1034	690822	Guide-Push Rod
513	692024	Clutch-Drive	802	691286	Cap-End	1036		Label-Emissions (Available From A Briggs & Stratton Authorized Dealer)
521	690581	Shield-Cable	803		Housing-Starter (Not Serviced Separately, Order Starter Motor 693551)	1040	698368	Plate-Trim
523	699908	Dipstick	830	691095	Stud-Rocker Arm	1044	698139	Screw (Flywheel)
524	★691032	Seal-Dipstick Tube	842	★691031	Seal-O Ring (Dipstick Tube)	1051	691265	Ring-Retaining
525	697085	Tube-Dipstick	847	790443	Dipstick/Tube Assembly	1054	280275	Tie-Cable
526	697088	Screw (Regulator)	850	100100	Sealant-Liquid (Breather) (Used After Code Date 07071800).	1058	276344	Operator's Manual
544	692034	Armature-Starter				1059	698516	Kit-Screw/Washer
552	697144	Bushing-Governor Crank	850A	100100	Sealant-Liquid (Rocker Cover) (Used After Code Date 07091000).	1070	690372	Screw (Flywheel Fan) (Used Before Code Date 07040900).
559	697561	Screw (Remote Choke Stop)						
562	691119	Bolt (Governor Control Lever)						

★ Included in Engine Gasket Set-Ref. No.358.

● Included in Carburetor Overhaul Kit-Ref. No. 121A.

△ Included in Valve Gasket Set-Ref. No 1095.

Illustrations cover a range of engines. Parts shown without corresponding text may not be used on your specific engine.

3593-9

Assemblies include all parts shown in frames.

10/30/2007

31N800

REF. NO.	PART NO.	DESCRIPTION	REF. NO.	PART NO.	DESCRIPTION	REF. NO.	PART NO.	DESCRIPTION
1070A	690363	Screw (Used After Code Date 07040800).	1127	695407	Screw (Float Bowl)	1267	697424	Latch-Blower Housing (Red)
1090	691293	Retainer-Brush	1263	697124	Reed-Breather	1270	697156	Plug-AVS Counterweight
1095	690190	Gasket Set-Valve	1264	697104	Screw (Breather Reed)	1319	794467	Label-Warning!
1119	691183	Screw (Alternator)						

★ Included in Engine Gasket Set-Ref. No.358.

● Included in Carburetor Overhaul Kit-Ref. No. 121A.

△ Included in Valve Gasket Set-Ref. No 1095.

Illustrations cover a range of engines. Parts shown without corresponding text may not be used on your specific engine.