

Isola

a tradition in island hoods

- island canopy rangehood
- traditional styling
- 600 cfm
- 4 halogen lights
- variable speed control
- disappearing control panel
- dishwasher safe grease filters
- convertible to ductless
- adjustable mounting system
- some range: 3.5 - 6.5
- 3 1/4" x 10" duct



Size/Color/Model #

36 x 24 Stainless 6044787

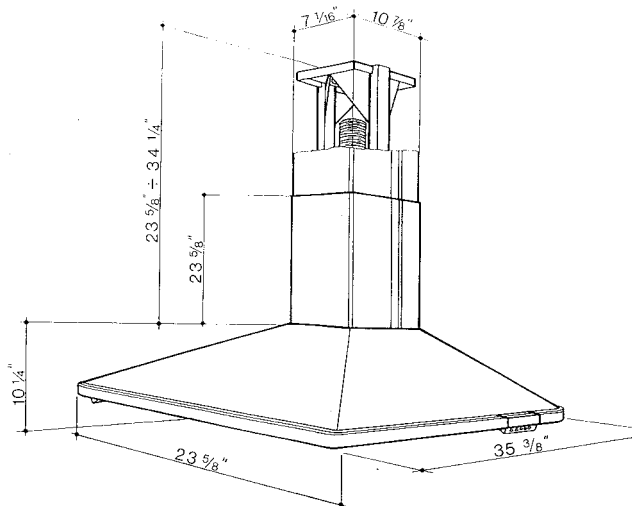
The Isola's classic design will bring harmony and style to your kitchen. Corners and edges are rounded for clean design and safety. This hood can also be used in front of a window, glass block or any other surface that is not strong enough to hold a wall mount hood. In these cases, the hood would simply suspend from the ceiling in front of the wall.

a **Ductless Conversion Kit**
c Includes: • Lower Chimney with holes for
c ducting • Ductless Diverter • Vent Grates •
C Two Charcoal Filters
e Stainless 6097115

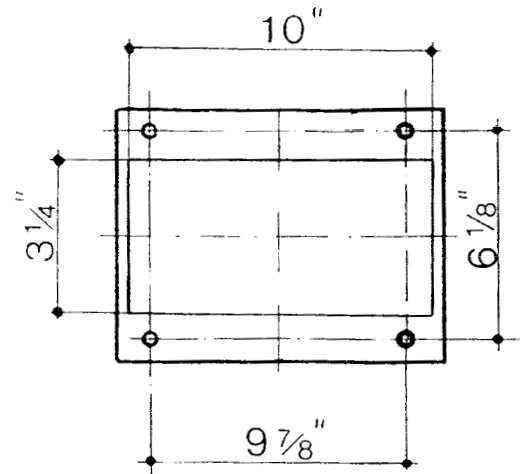
S **Replacement Charcoal Filters** 6093034
S
O
r
i
e
S



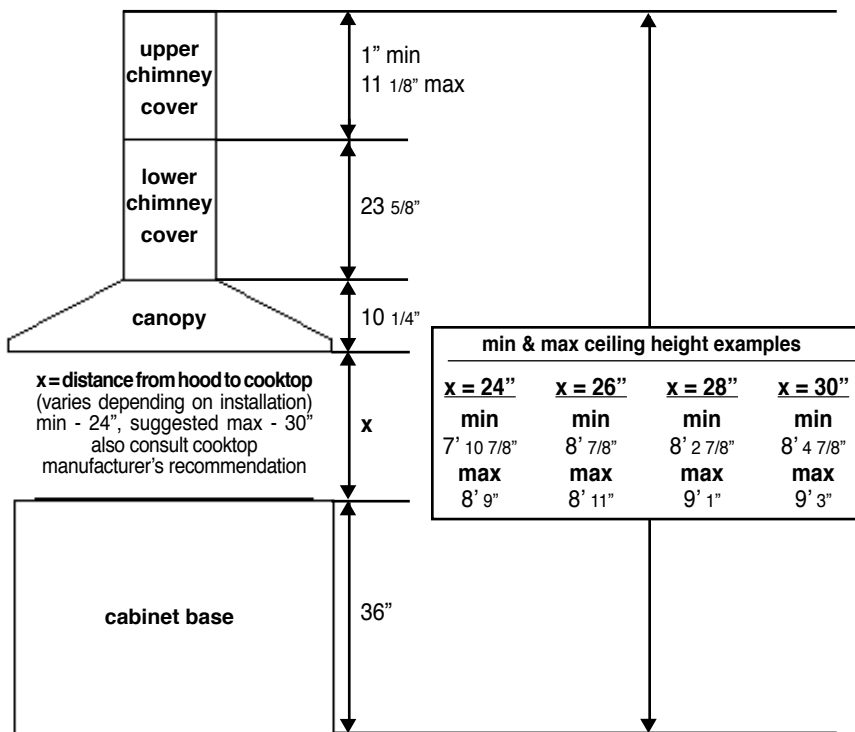
Dimensional Diagram



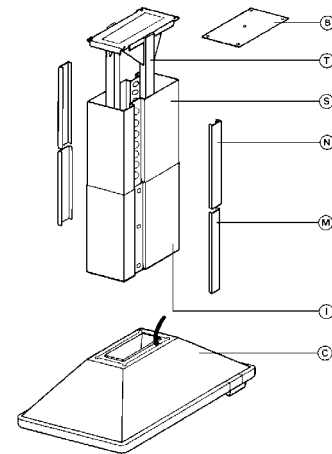
Mounting Support Template



Pre-Planning Your Installation - Important: Consult the installation instructions before you begin installing this rangehood.



The Isola chimney is adjustable and designed to meet varying ceiling heights. The chimney can be adjusted for ceilings between 7' 10 7/8" and 9' 3" depending on the distance between the bottom of the hood and the cooktop (**distance x in left diagram**). For shorter ceilings, the entire chimney support (**T in below diagram**) must be recessed up into the ceiling. For higher ceilings, build a solid structure down and attach the chimney support to this structure.



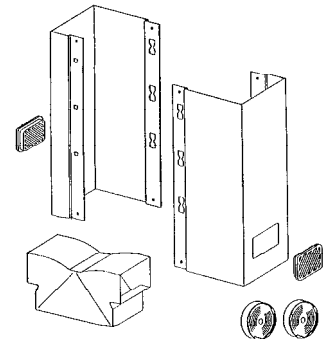
Pre-Planning Your Ductwork - Important: Consult the installation instructions before you begin installing this rangehood.

Make your ductrun as straight and short as possible. The ductrun should not exceed 35 equivalent feet if ducted with 3 1/4" by 10" rectangular duct. Count 45° angles as 3 feet, 90° elbows as 5 feet, and 90° flat elbows as 12 feet.

For best results, use no more than three 90° elbows. Make sure that there is a minimum of 24" of straight duct between elbows if more than one is used. Do not install two elbows together. If you must elbow right away, do it as far away from the hood's exhaust opening as possible.

Ductless Installations

For installations where ductwork is impossible or highly impractical, a **Ductless Conversion Kit** is available. Charcoal filters which attach to the blower assembly, absorb smoke and odors. A ductless diverter directs the air out to a lower chimney with vent grates cut into the sides.



WARNING! Product specifications are subject to change without notification. Consult the installation instructions before you begin installing this rangehood.