

Please Read and Save this Use and Care Book

Por favor lea este instructivo antes de usar el producto



Toast-R-Oven™

Countertop Oven/Broiler

Horno-asador de mostrador



Register your product online at www.prodprotect.com/applica,
for a chance to WIN \$100,000!
For US residents only

Registre su producto en la Internet en el sitio Web www.prodprotect.com/applica
y tendrá la oportunidad de GANAR \$100,000!
solamente para los residentes de EE.UU



USA/Canada 1-800-231-9786

www.prodprotect.com/applica

Model
Modelo

TRO420

Accessories/Parts (USA/Canada)
Accesorios/Partes (EE.UU./Canadá)
1-800-738-0245

IMPORTANT SAFEGUARDS

When using electrical appliances, basic safety precautions should always be followed, including the following:

- Read all instructions.
- Do not touch hot surfaces. Use handles or knobs.
- To protect against risk of electrical shock, do not immerse cord, plug, or any non-removable parts of this oven in water or other liquid.
- Close supervision is necessary when any appliance is used by or near children.
- Unplug from outlet when not in use and before cleaning. Allow to cool before putting on or taking off parts.
- Do not operate any appliance with a damaged cord or plug or after the appliance malfunctions or is dropped or damaged in any manner. Return the appliance to the nearest authorized service facility for examination, repair, or electrical or mechanical adjustment. Or, call the appropriate toll-free number listed on the cover of this manual.
- The use of accessory attachments not recommended by the appliance manufacturer may cause injuries.
- Do not use outdoors.
- Do not let cord hang over edge of table or counter, or touch hot surfaces.
- Do not place on or near a hot gas or electrical burner, or in a heated oven.
- Extreme caution must be used when moving an appliance containing hot oil or other hot liquid.
- To disconnect, turn any control to "off", then remove plug from wall outlet.
- Do not use appliance for other than intended use.
- Oversize foods or metal utensils must not be inserted in this appliance, as they may create a fire or risk of electric shock.
- A fire may occur if the toaster oven is covered or touching flammable material including curtains, draperies, walls and the like, when in operation. Do not store any item on top of unit when in operation.
- Do not clean with metal scouring pads. Pieces can break off the pad and touch electrical parts resulting in a risk of electric shock.

- Extreme caution should be used when using containers constructed of other than metal or glass.
- Do not store any material, other than manufacturer's recommended accessories, in this oven when not in use.
- Do not place any of the following materials in the oven: paper, cardboard, plastic wrap, and the like.
- Do not cover crumb tray or any parts of the oven with metal foil. This will cause overheating of the oven.
- To stop toasting, broiling or baking turn the controls to OFF.
- Use extreme caution when removing tray or disposing of hot grease.

SAVE THESE INSTRUCTIONS.

This product is for household use only.

GROUNDING PLUG

As a safety feature, this product is equipped with a grounded plug, which will only fit into a three-prong outlet. Do not attempt to defeat this safety feature. Improper connection of the grounding conductor may result in the risk of electric shock. Consult a qualified electrician if you are in doubt as to whether the outlet is properly grounded.

ELECTRICAL CORD

- a) A short power-supply cord is provided to reduce the risk resulting from becoming entangled in or tripping over a longer cord.
- b) Longer extension cords are available and may be used if care is exercised in their use.
- c) If an extension cord is used,
 - 1) The marked electrical rating of the cord set or extension cord should be at least as great as the electrical rating of the appliance, and
 - 2) The cord should be arranged so that it will not drape over the countertop or tabletop where it can be pulled on by children or tripped over unintentionally.

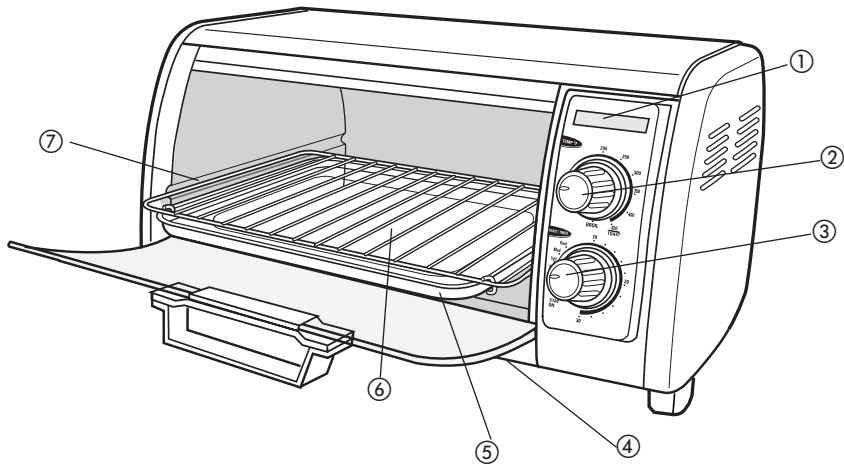
If the appliance is of the grounded type, the extension cord should be a grounding-type 3-wire cord.

TAMPER-RESISTANT SCREW

Warning : This appliance is equipped with a tamper-resistant screw to prevent removal of the outer cover. To reduce the risk of fire or electric shock, do not attempt to remove the outer cover. There are no user-serviceable parts inside. Repair should be done only by authorized service personnel.

Note: If the power supply cord is damaged, it should be replaced by qualified personnel. In Latin America, by an authorized service center.

Product may vary slightly from what is illustrated.



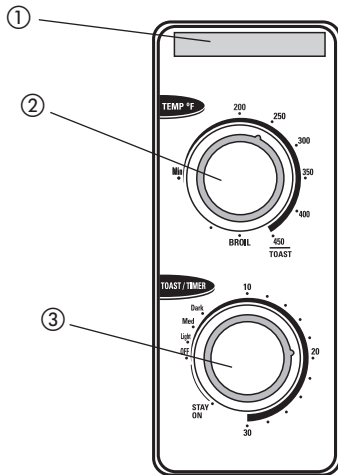
A

1. Power on indicator light
 - † 2. Temperature selector (Part #TRO420-01)
 - † 3. TOAST/TIMER selector with Stay On setting (Part #TRO420-02)
 4. Swing-down crumb tray (under unit)
 - † 5. Bake pan/drip tray (Part #TRO420-03)
 - † 6. Slide rack (Part #TRO420-04)
 7. Rack support rails
- †Consumer replaceable/removable parts

CONTROL PANEL

1. Power on indicator light
2. Temperature selector
3. TOAST/TIMER selector with Stay On setting

Important:
When using the TIMER/TOAST function, always turn the dial past 10 and then turn back or forward to desired setting.



B

How to Use

This product is for household use only.

	CAUTION
	<p>THIS OVEN GETS HOT. WHEN IN USE, ALWAYS USE OVEN MITTS OR POT HOLDERS WHEN TOUCHING ANY OUTER OR INNER SURFACE OF THE OVEN.</p>

GETTING STARTED

- Remove packing materials and any stickers.
- Remove the slide rack/broil rack and bake pan/drip tray from oven.
- Wash in sudsy water, rinse and dry with a cloth or paper towel.
- Replace slide rack/broil rack in oven.
- Select a location for the unit. Do not place unit under cabinets or too close to the wall to allow heat to flow without damaging counter space.
- Plug unit into electrical outlet.

TOAST FUNCTION

Important: The oven top and side surfaces get hot.

It is not necessary to preheat the oven for toasting.

1. Set temperature selector to TOAST position.
2. Open oven door.
3. Insert slide rack.
4. Place the toast directly on the slide rack and close the door.
5. Turn toast shade selector past 10 and then turn back to desired toast shade. For best results, select the medium setting for your first cycle, then adjust lighter or darker to suit your taste. The On indicator light comes on and stays on during the toasting cycle. When toasting is done, the signal bell sounds, the oven automatically shuts off and the On indicator light goes off.
6. Open oven door and using oven mitt or pot holder, slide out rack to remove toast.

Useful Tips:

- You must turn Off the toast shade selector if you want to discontinue toasting.
- When making more toast immediately after one toasting cycle, set the toast shade selector to a slightly lighter setting.
- For best results, when making consecutive batches of toast, allow a short cool down period between toasting cycles.

BAKE FUNCTION

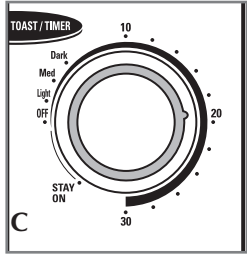
Important: The oven top and side surfaces get hot.

1. Consult the Baking Guide (page 6) for the type of food you want to cook.

Note: For best results, when baking or cooking, always preheat the oven for at least 8 minutes at the desired temperature setting.

2. Turn the temperature selector to the desired temperature setting.

Important: You must set the timer or select Stay On for the oven to function.



3. Set the timer to desired number of minutes including preheat time or to Stay On (C).

Important: When using the TIMER/TOAST function, always turn the dial past 10 and then turn back or forward to desired setting.

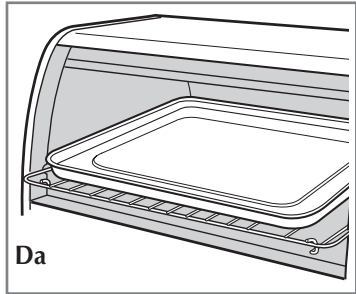
Tip: Set the timer to the Stay On setting, if you want to control cooking time or need to cook your food longer than 30 minutes.

- The power indicator light comes on and stays on during cooking cycle.

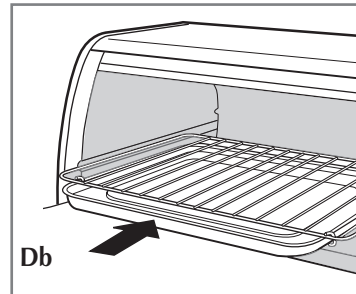
• The heating elements cycle on and off to maintain the temperature.

4. You can cook your food two ways:

- In the bake pan placed on the slide rack (Da), OR
- Directly on the slide rack with the bake pan inserted on the rack support rails underneath the slide rack (Db) to catch drippings.



OR



Note: Be sure the top edge of the food or container is at least 1½" (3.81 cm) away from the upper heating elements.

5. Close oven door.

6. Cook food according to recipe or package instructions and check at minimum time to see if it is done.

7. Once cooking cycle is finished, the signal bell sounds. Turn the TOAST/TIMER selector to the Off position. The On indicator light goes off.

8. Open oven door and using oven mitt or pot holder, slide out rack to remove food.

BAKING GUIDE

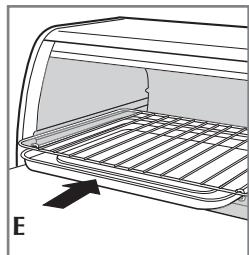
FOOD	AMOUNT	TEMPERATURE/TIME	PROCEDURE
Chicken pieces	to fit bake pan (1- 4 pieces)	375 °F (191 °C) 40-55 minutes	Bake until chicken registers 180 °F (82 °C) on meat thermometer.
Ham, lamb or pork chops, Fish fillet or steak	to fit bake pan (1-4 chops or steaks)	325 °F (163 °C) or follow favorite recipe	Bake until done as desired.
Cookies (recipe or refrigerated slice & bake, drop or pre-cut)	4-6 cookies	Follow package or recipe directions	Arrange in bake pan and place on top of slide rack. Bake until done and browned as desired.
Biscuits, dinner rolls (recipe or refrigerated)	to fit bake pan	Follow package or recipe directions	Arrange in bake pan and place on top of slide rack. Bake until done and browned as desired.
White or sweet potatoes	1-6 medium potatoes	400 °F (204 °C) 1- 1-1/4 hours	Wash and pierce potatoes. Place directly on slide rack.
Frozen French fries, onion rings, other frozen (breaded and fried) foods	single layer to fit bake pan	Follow package directions	Arrange in bake pan and place on top of slide rack. Turn once during baking. Check frequently to prevent over browning.
Individual frozen pizza		Follow package directions	Place pizza directly on slide rack for a crisp crust, in bake pan for a softer crust.

BROIL FUNCTION

Important: The oven top and side surfaces get hot.

Note: When broiling, preheat oven for 5 minutes.

1. Use the Broiling Guide for cooking times.
2. Turn the temperature selector to Broil. The oven does not need to be preheated for broiling.



3. Open oven door and using the bake pan as a drip tray, insert it under the slide rack on the rack support rails (E).

Important: You must set the timer or select Stay On for the oven to function.

4. Set the timer to desired number of minutes including preheat time or to Stay On if you want to control cooking time or need to cook your food longer than 30 minutes.

Important: When using the TIMER/TOAST function, always turn the dial past 10 and then turn back or forward to desired setting.

5. Place food on the slide rack.

Note: Be sure the top edge of the food or container is at least 1½" (3.81 cm) away from the upper heating elements.

Important: Food should not extend beyond the edges of the bake pan/drip tray to avoid drippings from falling onto the heating elements.

6. Cook food according to recipe or package instructions and check at minimum time to see if it is done.
7. When finished broiling, the signal bell sounds. Turn the TOAST/TIMER selector to the Off position. The power indicator light goes off.
8. Using an oven mitt or pot holder, slide out broiling rack together with bake pan to remove food.

BROILING GUIDE

Important: Preheat for 5 minutes.

NOTE: When broiling foods, slide the bake pan tray underneath the slide rack using the rack support rails. Turn temperature selector to Broil. Do not preheat. Broiling times are approximate. For best results do not undercook ground beef, fish or poultry.

FOOD	AMOUNT	TIME	PROCEDURE
Chicken pieces	1-6 pieces	30-40 minutes	Arrange pieces skin-side down; turn after 15-25 minutes. Continue broiling until 180 °F (82 °C) on meat thermometer, or juices run clear.
Frankfurters	1-8 frankfurters	8-12 minutes	For uniform browning, turn frequently.
Hamburgers	1-6 (1/4 lb. (0,11 kg) each)	12-18 minutes	Turn after 8 minutes; continue broiling until 160 °F (71 °C) on meat thermometer, or done as desired.
Beef steaks	1-2 (3/4" (19mm) thick)	18-25 minutes	Turn after 10 minutes; continue broiling until 160 °F (71 °C) on meat thermometer, or done as desired.
Pork chops	1-6 (3/4" (19mm) thick)	20-30 minutes	Turn after 12 minutes; continue broiling until 160 °F (71 °C) on meat thermometer.
Fish steaks	1-6 (1" (26mm) thick)	10-18 minutes	Broil until fish flakes easily with a fork or 145 °F on meat thermometer.
Open-faced cheese sandwich	1-4 slices	7-10 minutes	For crispier sandwich, toast bread first. Top bread with tomato and sliced cheese, if desired. Broil until tomato is hot and cheese is melted.

Care and Cleaning

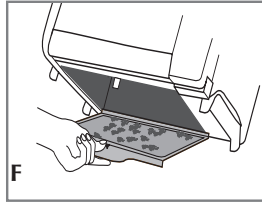
This product contains no user serviceable parts. Refer service to qualified service personnel.

CLEANING YOUR OVEN

IMPORTANT: Before cleaning any part, be sure the oven is off, unplugged, and cool. Always dry parts thoroughly before using oven after cleaning.

1. Clean the glass door with a sponge, soft cloth or nylon pad and sudsy water. Do not use a spray glass cleaner.
2. To remove the slide rack, open the door, pull the rack forward and out. Wash the slide rack in sudsy water or in a dishwasher. To remove stubborn spots, use a polyester or nylon pad.
3. Wash the bake pan in sudsy water. To minimize scratching, use a polyester or nylon pad.

Crumb Tray



To open crumb tray, tip back oven, pull the crumb tray knob forward then down (F).

2. Wipe with a dampened cloth or paper toweling and dry thoroughly.
3. To close, pull the crumb tray knob forward, swing the crumb tray closed, and then push knob in to lock into place before operating the oven.

Exterior Surfaces

Important: The oven top surface gets hot, be sure the oven has cooled completely before cleaning.

Wipe the top and exterior walls with a damp cloth or sponge. Dry thoroughly.

Cooking Containers

Metal, ovenproof glass or ceramic bakeware without glass lids can be used in your oven. Follow manufacturer's instructions. Be sure the top edge of the container is at least 1½" (3.81 cm) away from the upper heating elements.

TROUBLE SHOOTING

PROBLEM	POSSIBLE CAUSE	SOLUTION
Unit is not heating or stops heating.	Electrical outlet is not working or oven is unplugged.	Check to make sure outlet is working. Both the temperature control and the timer must be set in order for the oven to function.
Second toasting is too dark.	Setting on toast is too dark.	If doing repeated toasting in the oven, select a shade slightly lighter than the previous setting.
Moisture forms on the inside of the glass door during toasting.	The amount of moisture differs in different products, whether bread, bagels or frozen pastries.	The moisture that forms on the oven door is quite common and will usually disappear during the toasting cycle. Since the oven is closed the moisture cannot evaporate as it would in a toaster.
Food is overcooked or undercooked.	Temperature and cook time may need to be adjusted.	As your a toaster oven is much smaller than a regular oven, it may heat up faster and cook faster. Try lowering the temperature 25 degrees from the suggested temperature in a recipe or on a label.
There is burnt food odor or smoking when oven is being used.	There are remnants of food in crumb tray or on the walls of the oven.	Refer to the directions in the CARE AND CLEANING section of this Use & Care booklet. Make sure all parts of the oven, baking pan and rack are clean.
Heating elements do not seem to be on.	The heating elements cycle on and off during baking.	Check the oven to make certain the function desired is being used. On broil, only the top element is on.

INSTRUCCIONES IMPORTANTES DE SEGURIDAD

Cuando se utilizan aparatos eléctricos, se debe respetar ciertas reglas de seguridad, incluyendo las siguientes:

- Por favor lea todas las instrucciones.
- No toque las superficies calientes. Utilice las asas o las perillas.
- A fin de protegerse contra un choque eléctrico, no sumerja el cable, el enchufe ni ninguna pieza no removible del aparato.
- Se debe tomar mucha precaución cuando el producto se utilice por o en la presencia de menores de edad.
- Desconecte el aparato de la toma de corriente cuando no esté en uso y antes de limpiarlo. Espere que el aparato se enfríe antes de instalar o retirar los accesorios.
- No se debe utilizar ningún aparato eléctrico que tenga el cable o el enchufe averiado, que presente un problema de funcionamiento o que esté dañado. Devuelva el aparato al centro de servicio autorizado más cercano para que lo examinen, reparen o ajusten. También puede llamar gratis al número apropiado que aparece en la cubierta de este manual.
- El uso de accesorios no recomendados por el fabricante presenta el riesgo de lesiones personales.
- No utilice el aparato a la intemperie.
- No permita que el cable cuelgue del borde de la mesa o del mostrador ni que entre en contacto con superficies calientes.
- No coloque el tostador sobre ni cerca de una hornilla de gas o eléctrica, ni cerca de un horno caliente.
- Se debe ejercer mucha prudencia al transportar un aparato con aceite u otros líquidos calientes.
- Ajuste todos los controles a la posición de apagado (OFF) antes de enchufar o desconectar el aparato.
- Este aparato se debe utilizar solamente con el fin previsto.
- A fin de evitar el riesgo de incendio o choque eléctrico, jamás introduzca alimentos demasiado grandes ni utensilios de metal adentro del aparato.

- Existe el riesgo de incendio si el aparato permanece cubierto mientras se encuentra en funcionamiento o si éste llegase a entrar en contacto con cualquier material inflamable, incluyendo las cortinas y las paredes. Asegúrese de no colocar nada sobre el aparato mientras se encuentre en uso.
- No utilice almohadillas de fibras metálicas para limpiar el aparato. Las fibras metálicas podrían entrar en contacto con las piezas eléctricas del aparato, resultando en el riesgo de un choque eléctrico.
- Tenga mucho cuidado al utilizar recipientes que no sean de metal ni de vidrio.
- Cuando este aparato no se encuentre en funcionamiento no se debe almacenar nada aparte de los accesorios recomendados por el fabricante.
- No introduzca los siguientes materiales en el aparato: papel, cartón, envolturas plásticas ni materiales semejantes.
- A fin de evitar que el aparato se sobrecaliente, no cubra la bandeja para los residuos como ninguna otra superficie del aparato con papel de aluminio.
- Para interrumpir el tostado, asado u horneado de los alimentos, gire el control a la posición de apagado (OFF).
- Ejerza extrema precaución al mover la bandeja o al desechar la grasa caliente.

CONSERVE ESTAS INSTRUCCIONES.

Este aparato es para uso doméstico solamente.

ENCHUFE DE TIERRA

Como medida de seguridad, este producto cuenta con un enchufe de tierra que tiene tres contactos. No trate de alterar esta medida de seguridad. La conexión inapropiada del conductor de tierra puede resultar en un riesgo de choque eléctrico. Si tiene alguna duda, consulte con un electricista calificado para asegurarse de que la toma de corriente sea una de tierra.

CABLE ELÉCTRICO

- El producto debe proporcionarse con un cable corto para reducir el riesgo de enredarse o de tropezar con un cable largo.
- Se encuentran disponibles cables de extensión más largos, que es posible utilizar si se emplea el cuidado debido.
- Si se utiliza un cable de extensión,
 - El voltaje eléctrico del cable o del cable de extensión debe ser, como mínimo, igual al del voltaje del aparato, y
 - El cable debe acomodarse de modo que no cuelgue del mostrador o de la mesa, para evitar que un niño tire del mismo o que alguien se tropiece accidentalmente.

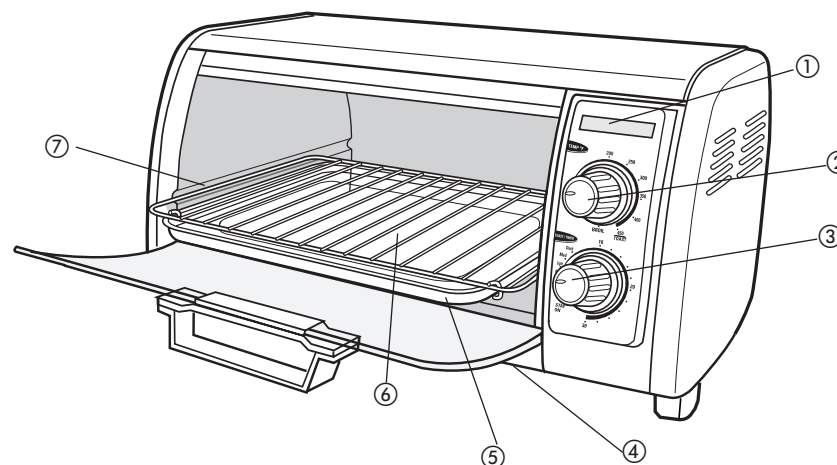
Si el aparato es del tipo que es conectado a tierra, el cable de extensión deberá ser un cable de tres alambres conectado a tierra.

TORNILLO DE SEGURIDAD

Advertencia: Este aparato cuenta con un tornillo de seguridad para evitar la remoción de la cubierta exterior del mismo. A fin de reducir el riesgo de incendio o de choque eléctrico, por favor no trate de remover la cubierta exterior. Este producto no contiene piezas reparables por el consumidor. Toda reparación se debe llevar a cabo únicamente por personal de servicio autorizado

Nota: Si el cordón de alimentación es dañado, en América Latina debe sustituirse por personal calificado o por el centro de servicio autorizado.

Este producto puede variar ligeramente del que aparece ilustrado.



A

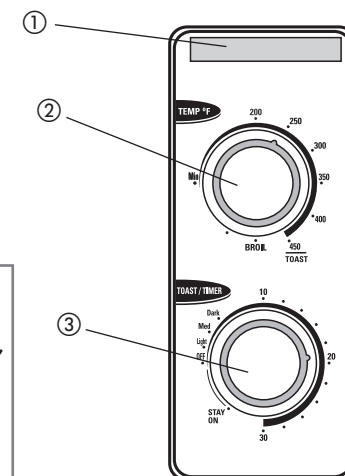
- Luz indicadora de funcionamiento
 - † Control de temperatura (No. de pieza TRO420-01)
 - † 3. Selector de tostado/cronómetro de 30 minutos con posición de funcionamiento continuo (Stay On) (No. de pieza TRO420-02)
 4. Bandeja de residuos oscilante (debajo de la unidad)
 - † 5. Bandeja para hornear/bandeja de goteo (No. de pieza TRO420-03)
 - † 6. Parrilla corrediza (No. de pieza TRO420-04)
 7. Carriles de soporte
- † Reemplazable/removible por el consumidor

PANEL DE CONTROLES

- Luz indicadora de funcionamiento
- Ajuste de temperatura
- Selector de tostado/minutero de 30 minutos con posición de funcionamiento continuo (Stay On)

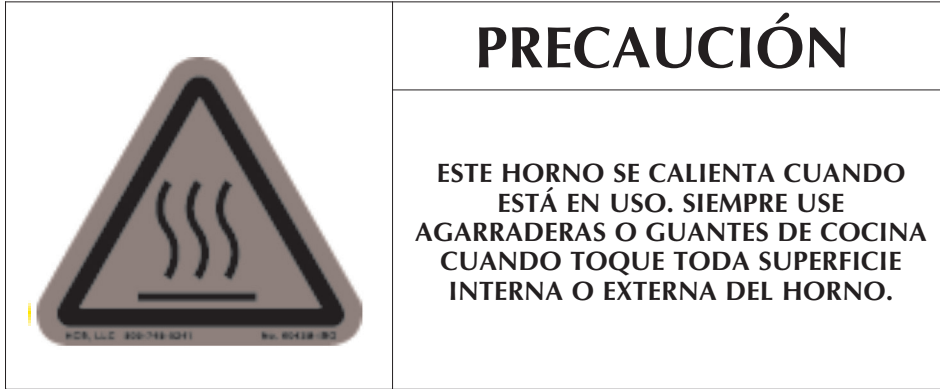
Importante:
Al utilizar la función de tostar cronómetro (TOAST/TIMER), gire siempre el selector pasando la posición 10, y luego gírelo a la izquierda o a la derecha hasta alcanzar el nivel deseado.

B



Como usar

Este producto es solamente para uso doméstico.



PREPARARSE PARA UTILIZAR

- Retire el material de empaque y toda calcomanía.
- Retire también la parrilla corrediza/parrilla de asar y la bandeja de hornear/bandeja de goteo del horno.
- Lave con agua jabonada, enjuague y seque bien con un paño o con una toalla de papel.
- Instale la parrilla corrediza/parrilla de asar en el horno.
- Escoja el lugar apropiado para el aparato. No coloque el aparato debajo de los gabinetes ni demasiado cerca de la pared, a fin de asegurar que el flujo de calor no perjudique el mostrador.
- Conecte la unidad a una toma de corriente eléctrica.

Advertencia: El horno está caliente. No toque la superficie.

PARA TOSTAR

No se requiere precalentar el horno para tostar.

1. Ajuste el control selector de temperatura a la posición de tostar encendido TOAST .
2. Abra la puerta del aparato.
3. Inserte la parrilla corrediza adentro de las ranuras.
4. Coloque las rebanadas de pan directamente sobre la parrilla corrediza y cierre la puerta.
5. Ajuste el selector del grado de tostado al gusto. Para optimizar los resultados, se recomienda ajustar el selector a la posición media durante el primer ciclo de funcionamiento y luego, uno puede escoger entre claro y oscuro para los demás ciclos. La luz indicadora de funcionamiento se enciende y permanece así durante el ciclo de tostado. Al finalizar el ciclo de tostado, suena un timbre de aviso, el horno se apaga automáticamente y la luz indicadora de funcionamiento desaparece.

Importante: Al utilizar la función de tostado/cronómetro (TOAST/TIMER), gire siempre el selector pasando el nivel 10, y luego gírelo a la izquierda o a la derecha hasta alcanzar el nivel deseado.

6. Abra la puerta del horno y con la ayuda de un protector o guante de cocina, deslice la parrilla hacia afuera para retirar las tostadas.

Consejos prácticos

- Uno debe apagar el selector del grado de tostado para anular el ciclo de tostado.
- Para continuar tostando inmediatamente después de finalizar el primer ciclo de tostado, ajuste el selector a una posición un poco más clara.
- Para obtener los mejores resultados, al hacer tandas consecutivas de tostadas permita que el horno se enfríe brevemente entre los ciclos de tostado.

PARA HORNEAR

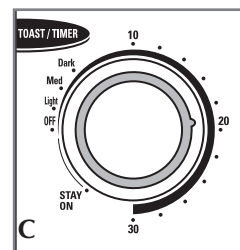
Advertencia: El horno está caliente. No toque la superficie.

1. Consulte la guía de hornear (página 17, 18) para el tipo de alimento que desea cocinar.

Nota: Para optimizar los resultados de cocción, se recomienda precalentar el horno durante 8 minutos a la temperatura deseada.

2. Ajuste el control selector de temperatura a la temperatura deseada.

Importante: Para activar el horno, se requiere ajustar el cronómetro a una temperatura determinada o seleccionar la posición de funcionamiento continuo (Stay On).



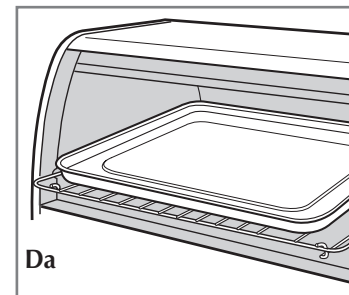
3. Ajuste el cronómetro al tiempo deseado, incluyendo el período de precalentamiento o seleccione la posición de funcionamiento continuo (Stay On) (C).

Importante: Al utilizar la función de tostado/cronómetro (TOAST/TIMER), gire siempre el selector pasando el nivel 10, y luego gírelo a la izquierda o a la derecha hasta alcanzar el nivel deseado.

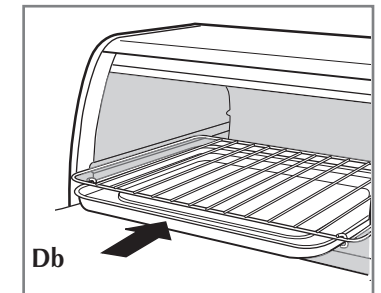
Consejo: Ajuste el cronómetro a la posición “STAY ON” (permanecer encendido) si desea controlar el tiempo de cocción

o si desea cocinar los alimentos por más de 30 minutos.

- La luz indicadora de funcionamiento se enciende y permanece así durante el ciclo de cocción.
 - Los elementos calefactores funcionan de manera intermitente a fin de mantener la temperatura.
4. Usted puede cocinar los alimentos de dos maneras:
 - En la bandeja de hornear colocada sobre la parrilla corrediza (**Da**), o
 - Directamente sobre la parrilla corrediza, utilizando la bandeja de hornear como bandeja de goteo, insertada en los carriles de soporte (**Db**).



O



Nota: Asegúrese de que haya un espacio mínimo de 1½" (3.81 cm) entre los alimentos o el borde superior del recipiente y los elementos calefactores.

5. Cierre la puerta del horno.
6. Cocine según la receta o las instrucciones del paquete y supervise los alimentos al cumplirse el tiempo mínimo de cocción.
7. El timbre de aviso suena una vez que finaliza el ciclo de tostado. Gire el selector de tostado/cronómetro (TOAST/TIMER) a la posición de apagado (OFF). La luz indicadora de funcionamiento (ON) se apaga.
8. Abra la puerta del horno y con la ayuda de un protector o guante de cocina, deslice la parrilla hacia afuera para retirar los alimentos.

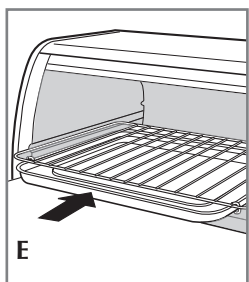
GUÍA DE HORNEAR

ALIMENTO	CANTIDAD	TEMPERATURA/ DURACIÓN	PROCEDIMIENTO
Porciones de pollo	Según la capacidad de la bandeja de hornear (de 1 a 4 piezas)	191 °C (375 °F) de 40 a 55 minutos	Hornear hasta que el termómetro de cocinar indique 82 °C (180 °F)
Jamón, cordero o chuletas de cerdo, filetes de pescado o bistec	Según la capacidad de la bandeja de hornear (de 1 a 4 chuletas o filetes)	Cocinar a 163 °C (325 °F) o preparar al gusto.	Hornear al gusto.
Galletas (de receta o de masa refrigerada para cortar y hornear, de cucharada o precortadas)	De 4 a 6 galletas	Según las direcciones del paquete o la receta	Acomodar en la bandeja de hornear y colocar encima de la parrilla corrediza. Hornear hasta quedar bien cocidas y dorar al gusto.
Biscochos, panes pequeños (de receta o de masa refrigerada)	Según la capacidad de la bandeja de hornear	Según las direcciones del paquete o la receta	Acomodar en la bandeja directamente sobre la parrilla corrediza. Hornear hasta quedar bien cocidos y dorar al gusto.

ALIMENTO	CANTIDAD	TEMPERATURA/ DURACIÓN	PROCEDIMIENTO
Papas o camotes	De 1 a 6 medianos	Cocinar a 204 °C (400 °F) de 1 a 1-1/4 hora.	Acomodar en la bandeja directamente sobre la parrilla corrediza. Lavar y pinchar las papas. Colocar las papas directamente sobre la parrilla corrediza, rieles orientado hacia arriba.
Papas fritas congeladas, aros de cebolla y otros alimentos congelados (rebozados y fritos)	Una capa, según la capacidad de la bandeja de hornear	Según las direcciones del paquete o la receta	Acomodar en la bandeja directamente sobre la parrilla corrediza, carril orientado hacia arriba. Voltear una vez durante el ciclo de cocción. Supervisar frecuentemente para no dorar en exceso.
Pizzas individuales congeladas		Según las direcciones del paquete	Colocar la pizza directamente sobre la parrilla corrediza para una corteza crujiente, en la bandeja de hornear para una corteza mas suave.

PARA ASAR

1. Consulte el tiempo de cocción recomendado en la guía de asar.
2. Gire el control selector de temperatura a la posición de asar (BROIL). No se requiere precalentar el horno para asar.



3. Abra la puerta del horno y utilice la bandeja de horneado como bandeja de goteo, instalándola debajo de la parrilla corrediza, sobre los carriles de soporte (E).
4. Ajuste el cronómetro al tiempo deseado, incluyendo el período de precalentamiento o seleccione la posición de funcionamiento continuo (Stay On), si desea controlar el tiempo de cocción o si los alimentos requieren más de 30 minutos de cocción.

Importante: Al utilizar la función de tostado/cronómetro (TOAST/TIMER), gire siempre el selector pasando el nivel 10, y luego gírelo a la izquierda o a la derecha hasta alcanzar el nivel deseado.

Importante: Para activar el horno, se requiere ajustar el cronómetro a una temperatura determinada o seleccionar la posición de funcionamiento continuo (Stay On).

5. Coloque los alimentos sobre la parrilla corrediza.

Nota: Asegúrese de que haya un espacio mínimo de 1 1/2" (3.81 cm) entre los alimentos o el borde superior del recipiente y los elementos calefactores.

Importante: Los alimentos no deben de sobrepasar los bordes de la bandeja de horneado/bandeja de goteo, a fin de evitar exceso de goteo sobre los elementos calefactores.

6. Prepare los alimentos conforme a la receta o las instrucciones del paquete y supervise la cocción según el tiempo mínimo estipulado. Para lograr mejores resultados cuando uno asa los alimentos, se recomienda voltearlos a medio ciclo de cocción.
7. El timbre de aviso suena una vez que finaliza el ciclo de asado. Gire el selector de tostado/cronómetro (TOAST/TIMER) a la posición de apagado (OFF). La luz indicadora de funcionamiento se apaga.
8. Abra la puerta del horno y con la ayuda de un protector o guante de cocina, deslice la parrillacorrediza hacia afuera para retirar los alimentos.

GUÍA DE ASAR

Pre caliente el horno 5 minutos.

NOTA: Para asar los alimentos, deslice la bandeja de horneado debajo de la parrilla corrediza con la ayuda de los carriles de descanso. Ajuste el control de temperatura de horneado a la posición de asar (BROIL). No pre caliente el horno.

El tiempo de cocción recomendado es aproximado. Para optimizar los resultados de cocción, uno debe de asegurar que la carne de res, de cerdo, de aves y de pescado quede bien cocida.

ALIMENTO	CANTIDAD	DURACIÓN	PROCEDIMIENTO
Porciones de Pollo	1-6 piezas	30-40 minutos	Acomodar las piezas de pollo con la piel hacia abajo; voltear al cabo de 15 a 25 minutos, asando hasta que el termómetro para carne indique 82 °C (180 °F) o hasta que los jugos corran sin color.
Salchichas	1-8 salchichas	8-12 minutos	Voltear con frecuencia para un dorado uniforme.
Hamburguesas	1 a 6 de 0, 11 kg (1/4 lb)	12-18 minutos	Voltear al cabo de 8 minutos; cocinar hasta que el termómetro de carne indique 71 °C (160 °F) o cocine al gusto.
Bistec	1 a 2 con grosor de 19 mm (3/4")	18-25 minutos	Voltear al cabo de 10 minutos; cocinar hasta que el termómetro de carne indique 71 °C (160 °F) o cocine al gusto.
Chuletas de cerdo	1 a 6 con grosor de 19 mm (3/4")	20-30 minutos	Voltear al cabo de 12 minutos; cocinar hasta que el termómetro de carne indique 71 °C (160 °F)
Filetes de pescado	1 a 6 con grosor 26 mm (1")	10 -18 minutos	Cocinar hasta poder separar fácilmente con un tenedor o hasta que el termómetro de carne indique 145 °F.
Sándwich de queso, sin tapa	1 a 4 rebanadas	7-10 minutos	Para un sándwich más crujiente, se debe tostar primero el pan. Coronar el pan con rebanadas de tomate y queso, al gusto. Cocinar hasta que el tomate se caliente y el queso se haya derretido.

Cuidado y limpieza

Este producto no contiene piezas reparables por el consumidor. Para servicio, acuda a personal calificado.

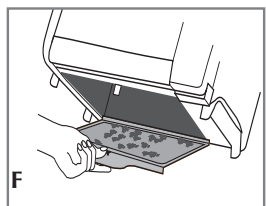
LIMPIEZA DEL HORNO

Importante: Apague el aparato, desconecte de la toma de corriente y permita que se enfríe antes de limpiar cualquier pieza. Después de lavadas, siempre seque bien todas las piezas antes de instalarlas para utilizar el horno nuevamente.

1. Limpie la puerta de vidrio con una esponja, una toalla suave, almohadilla de nailon y agua jabonada. No utilice rociadores de limpiar vidrios.
2. Lave la parrilla corrediza con agua caliente jabonada o en la máquina lavaplatos. Para remover las manchas persistentes, utilice una almohadilla de poliéster o de nailon.
3. Lave la bandeja de hornear con agua jabonada. Utilice una almohadilla de poliéster o de nailon a fin de evitar los rayones.

Bandeja de residuos

Nota: Para retirar la bandeja de los residuos, la puerta del horno debe de permanecer cerrada.



1. Para abrir la bandeja de residuos, incline el horno hacia atrás, tire de la perilla de la bandeja de residuos (F) hacia adelante y luego hacia abajo.
2. Límpiela con una toalla de papel o paño húmedo y séquela bien.
3. Para cerrarla, tire de la perilla de la bandeja de residuo hacia adelante, deslice la bandeja para migas hasta cerrarla y luego presione la perilla para trabarla en su lugar antes de hacer funcionar el horno.

Superficies exteriores

Importante: La superficie superior del horno se calienta; asegúrese de que el horno se haya enfriado bien antes de limpiarlo. Limpie la parte superior y demás superficies exteriores con un paño o con una esponja humedecida. Seque bien con un paño suave o con papel de toalla.

Recipientes de cocinar

Este aparato le permite utilizar recipientes de metal, de vidrio resistente al calor o de cerámica sin tapas de vidrio. Siga las indicaciones del fabricante. Asegúrese de que haya un espacio mínimo de 1½" (3.81 cm) entre el borde superior del recipiente y los elementos calefactores.

DETECCIÓN DE FALLAS

PROBLEMA	POSIBLE CAUSA	SOLUCIÓN
El aparato no calienta o deja de calentar.	La toma de corriente no funciona o el horno está desconectado.	Verifique que la toma de corriente esté funcionando. Tanto el control de temperatura como el cronómetro deben ser ajustados para que el horno funcione.
La segunda tanda de tostado resulta muy oscura.	El control del grado de tostado está a un nivel demasiado alto.	Si repite varias tandas, escoja un grado de tostado más bajo que el anterior.
Se forma humedad por dentro en la puerta de vidrio durante el ciclo de tostado.	La cantidad de humedad varía entre un producto y otro según los productos; pan, bagels, pasteles etc.	La humedad que se forma por dentro en la puerta del horno es bastante común y generalmente desaparece durante el ciclo de tostado. Como la puerta permanece cerrada, la humedad no se puede evaporar como en un tostador normal.
Los alimentos se sobre cocinan o no se cocinan bien.	La temperatura y el tiempo de cocción pueden requerir reajuste.	Como un horno tostador es mucho más pequeño que un horno regular, puede que se caliente y cocine más rápido. Ensaye, reduciendo 25 grados de la temperatura indicada en la receta o en el paquete.
El aparato despide olor a comida quemada o humea cuando está en funcionamiento.	Hay residuos de comida en la bandeja de recolección o en las paredes del horno.	Consulte las instrucciones en la sección de CUIDADO Y LIMPIEZA de este manual. Asegúrese de que todas las partes del horno, bandeja de hornear y parrilla estén limpias.
Los elementos calefactores parecen no estar encendidos.	Los elementos calefactores funcionan intermitentemente durante el ciclo de cocción.	Asegúrese que el aparato esté ajustado a la función correcta. Para el caso, cuando uno asa los alimentos, solamente se enciende el elemento calefactor superior.

NEED HELP?

For service, repair or any questions regarding your appliance, call the appropriate "800" number on the cover of this book. **Do not** return the product to the place of purchase. **Do not** mail the product back to the manufacturer nor bring it to a service center. You may also want to consult the website listed on the cover of this manual.

One-Year Limited Warranty (Applies only in the United States and Canada)

What does it cover?

- Any defect in material or workmanship; provided; however, Applica's liability will not exceed the purchase price of the product.

For how long?

- One year after the date of original purchase.

What will we do to help you?

- Provide you with a reasonably similar replacement product that is either new or factory refurbished.

How do you get service?

- Save your receipt as proof of the date of sale.
- Check our on-line service site at www.prodprotect.com/applica, or call our toll-free number, 1-800-231-9786, for general warranty service.
- If you need parts or accessories, please call 1-800-738-0245.

What does your warranty not cover?

- Damage from commercial use
- Damage from misuse, abuse or neglect
- Products that have been modified in any way
- Products used or serviced outside the country of purchase
- Glass parts and other accessory items that are packed with the unit
- Shipping and handling costs associated with the replacement of the unit
- Consequential or incidental damages (Please note, however, that some states do not allow the exclusion or limitation of consequential or incidental damages, so this limitation may not apply to you.)

How does state law relate to this warranty?

- This warranty gives you specific legal rights, and you may also have other rights that vary from state to state or province to province.

¿NECESITA AYUDA?

Para servicio, reparaciones o preguntas relacionadas al producto, por favor llame gratis al número "800" que aparece en la cubierta de este manual. **No** devuelva el producto al establecimiento de compra. **No** envíe el producto por correo al fabricante ni lo lleve a un centro de servicio. También puede consultar el sitio web que aparece en la cubierta de este manual.

Un año de garantía limitada (Aplica solamente en Estados Unidos o Canadá)

¿Qué cubre la garantía?

- La garantía cubre cualquier defecto de materiales o de mano de obra. Applica no se responsabiliza por ningún costo que exceda el valor de compra del producto.

¿Por cuánto tiempo es válida la garantía?

- Por un año a partir de la fecha original de compra.

¿Qué clase de asistencia recibe el consumidor?

- El consumidor recibe un producto de reemplazo nuevo o restaurado de fábrica, parecido al original.

¿Cómo se obtiene el servicio necesario?


- Conserve el recibo original como comprobante de la fecha de compra.
- Se puede visitar el sitio web de asistencia al consumidor www.prodprotect.com/applica, o se puede llamar gratis al número 1-800-231-9786, para obtener información relacionada al servicio de garantía.
- Si necesita piezas o accesorios, por favor llame gratis al 1-800-738-0245.

¿Qué aspectos no cubre esta garantía?

- Los daños al producto ocasionados por el uso comercial
- Los daños ocasionados por el mal uso, abuso o negligencia
- Los productos que han sido alterados de cualquier manera
- Los productos utilizados o reparados fuera del país original de compra
- Las piezas de vidrio y demás accesorios empacados con el aparato
- Los gastos de tramitación y embarque relacionados con el reemplazo del producto
- Los daños y perjuicios indirectos o incidentales (sin embargo, por favor observe que algunos estados no permiten la exclusión ni la limitación de los daños y perjuicios indirectos ni incidentales, de manera que esta restricción podría no aplicar a usted).

¿Qué relación tiene la ley estatal con esta garantía?

- Esta garantía le otorga derechos legales específicos y el consumidor podría tener otros derechos que varían de una región a otra.

 is a trademark of The Black & Decker Corporation, Towson, Maryland, USA
Marca registrada de The Black & Decker Corporation, Towson, Maryland, E.U.



R12007/1-8-22E/S/F



Printed on recycled paper.
Impreso en papel reciclado.

Copyright © 2007 - 2008 Applica Consumer Products, Inc.

Made in People's Republic of China
Printed in People's Republic of China

Fabricado en la República Popular de China
Impreso en la República Popular de China