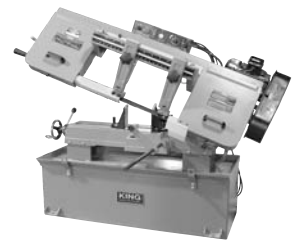




Service Manual / Manuel de Service

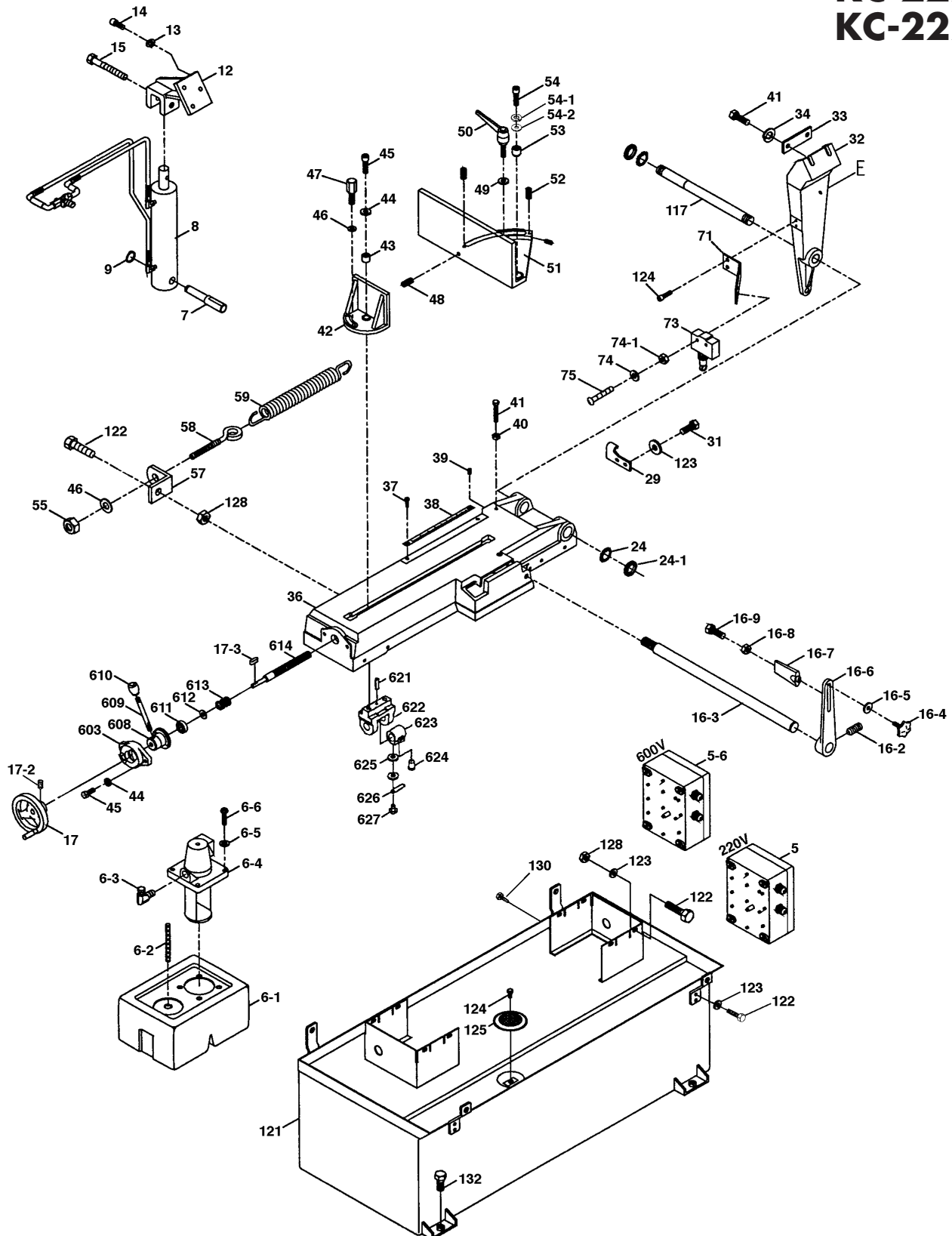
10" x 18" Metal Cutting Bandsaw Scie à Ruban pour le Métal de 10" x 18"



Revised/Revisé 08/2008

Base Diagram / Diagramme de la Base

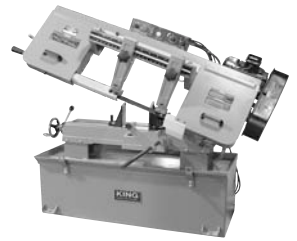
KC-227-2 KC-227-6





Service Manual / Manuel de Service

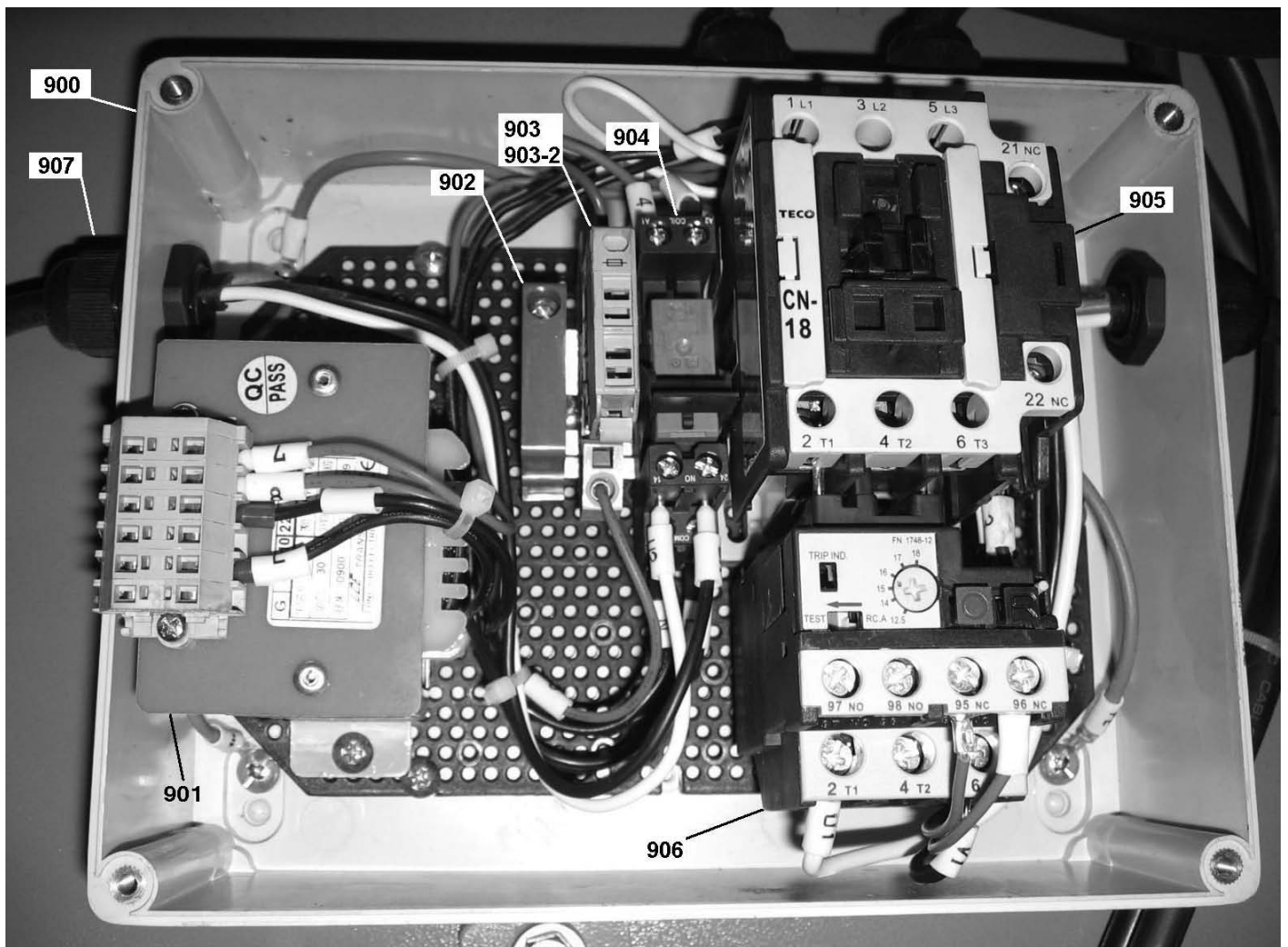
10" x 18" Metal Cutting Bandsaw Scie à Ruban pour le Métal de 10" x 18"



Revised/Revisé 08/2008

Electrical Box Diagram / Diagramme de la Boîte Électrique

KC-227-2 KC-227-6





Parts Pricing List / Liste de Prix des Pièces

KC-227-2 KC-227-6

Diag.	Order # Com.	English Description	Description Française	Qty./Qté.	Price/Prix
5	1202270050	ELECTRICAL BOX ASS'Y (220V)	BOITE ELECTRIQUE ASS. (220V)	1	\$856.75
5-6	1202270056	ELECTRICAL BOX ASS'Y (600V)	BOITE ELECTRIQUE ASS. (600V)	1	\$799.25
6-1	1202270061	COOLANT TANK	RESERVOIR A LIQUIDE DE REFROID.	1	\$87.23
6-2	1202270062	COOLANT HOSE	TUYAU POUR LIQUIDE DE REFROID.	1	\$28.69
6-3	1202270063	COUPLER	RACCORDEMENT	1	\$17.19
6-4	1202270064	COOLANT PUMP (220V)	POMPE A LIQUIDE (220V)	1	\$373.75
6-5	1202270065	WASHER	RONDELLE	4	\$1.55
6-6	1202270066	PAN HD SCREW	VIS A TETE BOMBEE	4	\$2.24
7	1202270070	CYLINDER SHAFT	TIGE DU CYLINDRE	1	\$34.44
8	1202270080	COMPLETE CYLINDER	CYLINDRE COMPLET	1	\$684.25
9	1202270090	RETAINING RING/SHAFT	ANNEAU DE RETENU/TIGE	1	\$1.50
12	1202270120	CYLINDER BRACKET (UPPER)	SUPPORT DU CYLINDRE (HAUT)	1	\$51.69
13	1202270130	SPRING WASHER	RONDELLE A RESSORT	7	\$1.67
14	1202270140	CAP SCREW	BOULON A TETE CYLINDRIQUE	3	\$1.90
15	1202270150	HEX. BOLT	BOULON HEXAGONAL	1	\$2.24
16-2	1202270162	SET SCREW	VIS SANS TETE	5	\$1.55
16-3	1202270163	DISTANCE SET ROD	TIGE DE FIXATION DE LA LONGUEUR	1	\$51.69
16-4	1202270164	KNOB	BOUTON	1	\$5.69
16-5	1202270165	WASHER	RONDELLE	1	\$1.55
16-6	1202270166	STOP BRACKET	SUPPORT D'ARRET	1	\$40.19
16-7	1202270167	DISTANCE SET BRACKET	SUPPORT DE FIXATION DE LA LONG.	1	\$13.51
16-8	1202270168	HEX. NUT	ECROU HEXAGONAL	1	\$1.73
16-9	1202270169	HEX. BOLT	BOULON HEXAGONAL	2	\$2.01
17	1202270170	COMPLETE HANDWHEEL	MANIVELLE COMPLETE	1	\$114.94
17-2	1202270172	SET SCREW	VIS SANS TETE	1	\$1.61
17-3	1202270173	KEY	CLE DE RETENUE	1	\$1.90
24	1202270240	TOOTH WASHER	RONDELLE DENTELEE	2	\$5.00
24-1	1202270241	SPANNER NUT	ECROU SPECIAL	2	\$12.36
26-1	1202270261	BUSHING	BAGUE	1	\$22.94
29	1202270290	POSITION SET BRACKET	SUPPORT DE POSITIONNEMENT	1	\$34.44
31	1202270310	HEX. BOLT	BOULON HEXAGONAL	11	\$1.78
32	1202270320	REAR PIVOT BRACKET	SUPPORT DE PIVOT ARRIERE	1	\$166.75
33	1202270330	RETAINING PLATE	PLAQUE DE RETENUE	1	\$5.69
34	1202270340	SPRING WASHER	RONDELLE A RESSORT	7	\$1.55
36	1202270360	WISE TABLE (SPECIAL ORDER)	TABLE DE L'ETAU (COMM. SPECIALE)	1	\$914.25
37	1202270370	FLANGE HD SCREW	VIS A TETE BRIDEE	2	\$1.50
38	1202270380	DEGREE SCALE	ECHELLES DE DEGRES	1	\$11.44
39	1202270390	SET SCREW	VIS SANS TETE	3	\$2.24
40	1202270400	HEX. NUT	ECROU HEXAGONAL	2	\$1.73
41	1202270410	HEX. BOLT	BOULON HEXAGONAL	3	\$2.13
42	1202270420	WISE JAW BRACKET (FRONT)	MACHOIRE DE L'ETAU (AVANT)	1	\$109.19
43	1202270430	BUSHING	BAGUE	1	\$5.69
44	1202270440	WASHER	RONDELLE	9	\$1.67
45	1202270450	HEX. BOLT	BOULON HEXAGONAL	3	\$2.13
46	1202270460	WASHER	RONDELLE	2	\$1.67
47	1202270470	SPECIAL HEX. BOLT	BOULON HEXAGONAL SPECIAL	1	\$28.69
48	1202270480	SET SCREW	VIS SANS TETE	2	\$2.01

Pricing subject to change without prior notice. / Prix sujet à changement sans préavis.



®

Parts Pricing List / Liste de Prix des Pièces

**KC-227-2
KC-227-6**

Diag.	Order # Com.	English Description	Description Française	Qty./Qté.	Price/Prix
49	1202270490	WASHER	RONDELLE	3	\$2.24
50	1202270500	WISE LOCK HANDLE	POIGNEE DE VERR. DE L'ETAU	1	\$68.94
51	1202270510	WISE JAW BRACKET (REAR)	MACHOIRE DE L'ETAU (ARRIERE)	1	\$224.25
52	1202270520	SET SCREW	VIS SANS TETE	2	\$1.55
53	1202270530	BUSHING	BAGUE	1	\$14.89
54	1202270540	CAP SCREW	BOULON A TETE CYLINDRIQUE	1	\$2.47
54-1	1202270541	SPRING WASHER	RONDELLE A RESSORT	1	\$1.78
54-2	1202270542	WASHER	RONDELLE	1	\$1.67
55	1202270550	HEX. NUT	ECROU HEXAGONAL	1	\$1.61
57	1202270570	SPRING HANDLE BRACKET	SUPP. DE LA POIGNEE A RESSORT	1	\$11.44
58	1202270580	SPRING ADJUSTING ROD	TIGE D'AJUSTEMENT A RESSORT	1	\$10.75
59	1202270590	SPRING	RESSORT	1	\$68.94
71	1202270710	LIMIT SWITCH BRACKET	SUPPORT DE L'INTERR. DE CONTACT	1	\$22.94
73	1202270730	LIMIT SWITCH	INTERRUPTEUR DE CONTACT	1	\$143.69
74	1202270740	TOOTH WASHER	RONDELLE DENTELEE	2	\$1.67
74-1	1202270741	HEX. NUT	ECROU HEXAGONAL	2	\$1.55
75	1202270750	PAN HD SCREW	VIS A TETE BOMBEE	2	\$1.90
117	1202271170	PIVOT SHAFT	TIGE DE PIVOT	1	\$68.94
121	1202271210	CABINET STAND (SPECIAL ORDER)	CABINET DE SUPPORT (COMM. SPEC.)	1	\$1,374.25
122	1202271220	HEX. BOLT	BOULON HEXAGONAL	17	\$1.90
123	1202271230	WASHER	RONDELLE	28	\$1.61
124	1202271240	ROUND HD ALLEN SCREW	VIS A TETE RONDE ALLEN	14	\$2.01
125	1202271250	FILTER	FILTRE	1	\$11.33
128	1202271280	HEX. NUT	ECROU HEXAGONAL	13	\$1.61
130	1202271300	FLANGE HD SCREW	VIS A TETE BRIDEE	4	\$1.67
132	1202271320	HEX. BOLT	BOULON HEXAGONAL	4	\$3.16
200	1202272000	BLADE GUARD (FRONT)	GARDE DE LA LAME (AVANT)	1	\$57.44
204	1202272040	CAP SCREW	BOULON A TETE CYLINDRIQUE	2	\$1.90
207	1202272070	ARM LOCK KNOB	BOUTON DE VERR. DU BRAS	2	\$21.79
209	1202272090	BLADE GUIDE ARM	BRAS DU GUIDE DE LA LAME	2	\$109.19
210	1202272100	GIB	GLISSIERE	2	\$40.19
211	1202272110	RETAINING RING/SHAFT	ANNEAU DE RETENU/TIGE	4	\$1.50
212	1202272120	BALL BEARING	ROULEMENT A BILLES	10	\$17.19
213	1202272130	ECCENTRIC GUIDE (SHORT)	GUIDE EXCENTRIQUE (COURT)	2	\$34.44
213-1	1202272131	COMP. ECCENTRIC SHAFT (SHORT)	TIGE EXCENTRIQUE COMP. (COURTE)	2	\$68.94
214	1202272140	ECCENTRIC GUIDE (LONG)	GUIDE EXCENTRIQUE (LONG)	2	\$40.19
214-1	1202272141	COMP. ECCENTRIC SHAFT (LONG)	TIGE EXCENTRIQUE COMP. (LONGUE)	2	\$74.69
215	1202272150	CAP SCREW	BOULON A TETE CYLINDRIQUE	4	\$2.47
216	1202272160	CARBIDE BLADE GUIDE	GUIDE DE LAME AU CARBURE	4	\$45.94
217	1202272170	BEARING SHAFT	TIGE DU ROULEMENT	2	\$11.44
219	1202272190	BEARING BRACKET (LEFT)	SUPPORT DU ROULEMENT (GAUCHE)	1	\$86.19
220-1	1202272201	VALVE	VALVE	2	\$45.94
220-2	1202272202	HOSE	BOYAU	2	\$25.24
220-3	1202272203	STRAIGHT CONNECTOR	CONNECTEUR DROIT	2	\$20.64
220-4	1202272204	HOSE CLIP	ATTACHE DU BOYAU	2	\$21.79
221	1202272210	BEARING BRACKET (RIGHT)	SUPPORT DU ROULEMENT (DROIT)	1	\$86.19
222-1	1202272221	BRUSH SUPPORT	SUPPORT DE LA BROSSE	1	\$34.44

Pricing subject to change without prior notice. / Prix sujet à changement sans préavis.



Parts Pricing List / Liste de Prix des Pièces

KC-227-2 KC-227-6

Diag.	Order # Com.	English Description	Description Française	Qty./Qté.	Price/Prix
222-2	1202272222	BRUSH	BROSSE	1	\$32.14
222-5	1202272225	HEX. BOLT	BOULON HEXAGONAL	1	\$2.01
225	1202272250	BLADE GUARD (REAR)	GARDE DE LA LAME (ARRIERE)	1	\$55.14
226	1202272260	HEX. NUT	ECROU HEXAGONAL	4	\$1.55
300	1202273000	CAP SCREW	BOULON A TETE CYLINDRIQUE	4	\$1.78
301	1202273010	HANDLE	POIGNEE DU COUVERCLE	2	\$14.66
303	1202273030	IDLER WHEEL COVER (LEFT)	COUV. DE LA ROUE FOLLE (GAUCHE)	1	\$114.94
306	1202273060	DRIVE WHEEL COVER (RIGHT)	COUV. DE ROUE D'ENTRAINEMENT	1	\$114.94
308	1202273080	SPECIAL WASHER	RONDELLE SPECIALE	2	\$3.74
309	1202273090	BALL BEARING	ROULEMENT A BILLES	2	\$33.29
309-1	1202273091	RETAINING RING/BORE	ANNEAU DE RETENU/ALESAGE	2	\$3.28
310	1202273100	IDLER WHEEL	ROUE FOLLE	1	\$218.44
311	1202273110	IDLER WHEEL SHAFT	TIGE DE LA ROUE FOLLE	1	\$34.44
312	1202273120	HANDLE	POIGNEE	1	\$17.19
314	1202273140	BODY FRAME (SPECIAL ORDER)	CHASSIS (COMMANDE SPECIALE)	1	\$1,144.25
314-2	1202273142	TUBE	TUBE	1	\$20.64
314-3	1202273143	BUMPER	AMORTISSEUR	1	\$10.29
314-4	1202273144	HEX. NUT	ECROU HEXAGONAL	1	\$1.61
314-5	1202273145	FILTER	FILTRE	1	\$11.44
315	1202273150	COVER	COUVERCLE	1	\$57.44
316	1202273160	SCALE	EHELLE	1	\$57.44
317	1202273170	CAP SCREW	BOULON A TETE CYLINDRIQUE	2	\$2.13
318	1202273180	ARM COLUMN	COLONNE DES BRAS	1	\$258.75
319	1202273190	SET SCREW	VIS SANS TETE	4	\$2.01
322	1202273220	SPECIAL WASHER	RONDELLE SPECIALE	1	\$5.58
323	1202273230	KEY	CLE DE RETENUE	1	\$3.16
324	KBB-225	BLADE	LAME	1	-
325	1202273250	DRIVE WHEEL	ROUE D'ENTRAINEMENT	1	\$212.69
326	1202273260	CAP SCREW	BOULON A TETE CYLINDRIQUE	3	\$1.90
328	1202273280	GEAR BOX ASSEMBLY	BOITIER D'ENGRENAGE ASSEMBLE	1	\$856.75
329	1202273290	NYLON HEX. NUT	ECROU HEXAGONAL AVEC NYLON	1	\$2.36
330	1202273300	SHAFT	TIGE	1	\$51.69
330-1	1202273301	SPECIAL ADJUSTMENT KNOB	BOUTON D'AJUSTEMENT SPECIAL	1	\$25.24
331	1202273310	HEX. NUT	ECROU HEXAGONAL	1	\$1.78
332	1202273320	CAP SCREW	BOULON A TETE CYLINDRIQUE	1	\$2.47
333	1202273330	THREADED ADJUSTMENT SHAFT	TIGE D'AJUSTEMENT FILETEE	1	\$45.94
334	1202273340	MOTOR PLATE	PLAQUE DU MOTEUR	1	\$189.69
335	1202273350	MOTOR BRACKET	SUPPORT DU MOTEUR	2	\$28.69
336	1202273360	WASHER	RONDELLE	7	\$1.55
337	1202273370	HEX. BOLT	BOULON HEXAGONAL	6	\$1.67
338	1202273380	MOTOR (220V)	MOTEUR (220V)	1	\$799.25
338-1	1202273381	MOTOR (600V)	MOTEUR (600V)	1	\$799.25
339	1202273390	KEY	CLE DE RETENUE	1	\$3.16
345	1202273450	COMPLETE PULLEY COVER	COUVERCLES DES POULIES COMP.	1	\$224.19
345-1	1202273451	LOCK KNOB	BOUTON DE VERROUILLAGE	7	\$11.44
345-2	1202273452	HEX. BOLT	BOULON HEXAGONAL	1	\$1.67
345-3	1202273453	BRACKET	SUPPORT	1	\$45.94

Pricing subject to change without prior notice. / Prix sujet à changement sans préavis.



Parts Pricing List / Liste de Prix des Pièces

**KC-227-2
KC-227-6**

Diag.	Order # Com.	English Description	Description Française	Qty./Qté.	Price/Prix
345-4	1202273454	CAP SCREW	BOULON A TETE CYLINDRIQUE	1	\$1.78
346	1202273460	STARTING CAPACITOR	CONDENSATEUR DE DEMARRAGE	1	\$57.44
348	1202273480	SPINDLE PULLEY	POULIE DE L'ARBRE	1	\$86.19
349	1202273490	SET SCREW	VIS SANS TETE	2	\$2.01
350	1202273500	V-BELT	COURROIE EN "V"	1	\$12.59
351	1202273510	MOTOR PULLEY	POULIE DU MOTEUR	1	\$114.94
354-1	1202273541	HOSE CLAMP	ATTACHE BOYAU	4	\$4.54
354-2	1202273542	90 DEGREE CONNECTOR	RACCORD 90 DEGREE	2	\$17.19
354-4	1202273544	HOSE CLAMP	ATTACHE BOYAU	2	\$4.54
354-5	1202273545	TUBE	TUBE	1	\$11.44
354-6	1202273546	3-WAY VALVE	SOUPAPES 3-VOIES	1	\$40.19
354-7	1202273547	STRAIGHT CONNECTOR	CONNECTEUR DROIT	1	\$6.84
354-9	1202273549	TUBE	TUBE	1	\$16.04
355	1202273550	BLADE TENSIONER	TENSIONNEUR DE LA LAME	1	\$63.19
355-1	1202273551	BLADE TENSIONER HANDLE	POIGNEE DU TENSIONNEUR	2	\$13.74
356	1202273560	THRUST BEARING	ROULEMENT A BUTEE	1	\$28.69
357	1202273570	TENSION INDICATOR	INDICATEUR DE TENSION	1	\$28.69
358	1202273580	DISC WASHER SPRING	DISQUE RONDELLE A RESSORT	18	\$11.44
359	1202273590	THREADED SHAFT	TIGE FILETEE	1	\$22.94
360	1202273600	ANCHOR BLOCK	BLOC D'ANCRAGE	1	\$132.19
361	1202273610	SET SCREW	VIS SANS TETE	11	\$1.67
362	1202273620	SIDE BLOCK	BLOC COULISSANT	1	\$91.94
363	1202273630	HEX. NUT	ECROU HEXAGONAL	1	\$2.47
366	1202273660	BLADE TENSION BOLT	BOULON DE TENSION SPECIAL	3	\$13.74
368	1202273680	HEX. BOLT	BOULON HEXAGONAL	3	\$2.59
369	1202273690	PRESSURE PLATE	PLAQUE DE PRESSION	2	\$45.94
374	1202273740	CONTROL BOX (ONLY)	BOITE DE CONTROLE (SEULEMENT)	1	\$224.25
375	1202273750	COUNTERSUNK SCREW	VIS A TETE FRAISEE	2	\$1.61
376	1202273760	CONTROL BOX PLATE	PLAQUE DE LA BOITE DE CONTROLE	1	\$86.19
376-1	1202273761	COOLANT SWITCH	INTERRUPTEUR DE LIQUIDE	1	\$57.10
376-2	1202273762	RED EMERGENCY STOP SWITCH	ARRET D'URGENCE ROUGE	1	\$78.95
376-3	1202273763	START BUTTON	INTERRUPTEUR DE DEMARRAGE	1	\$68.94
376-4	1202273764	POWER INDICATOR LIGHT	LUMIERE INDICATRICE DE TENSION	1	\$32.95
376-5	1202273765	SET SCREW	VIS SANS TETE	4	\$1.67
376-6	1202273766	FEED RATE ADJUSTMENT KNOB	BOUTON D'AJUSTEMENT/VITESSE	2	\$40.19
377	1202273770	PAN HD SCREW	VIS A TETE BOMBEE	6	\$1.55
378	1202273780	TUBE	TUBE	1	\$11.44
386	1202273860	HYDRAULIC PRESSURE GAUGE	JAUGE A PRESSION HYDRAULIQUE	1	\$281.75
387	1202273870	GAUGE BRACKET	SUPPORT DE LA JAUGE	1	\$32.14
603	1202276030	CRANK ARM BRACKET	SUPPORT DU BRAS EXCENTRIQUE	1	\$63.19
608	1202276080	PRESSURE FLANGE	BRIDE DE PRESSION	1	\$57.44
609	1202276090	FLANGE HANDLE	POIGNEE DE LA BRIDE	1	\$28.69
610	1202276100	KNOB	BOUTON	1	\$4.20
611	1202276110	THRUST BEARING	ROULEMENT A BUTEE	1	\$28.69
612	1202276120	SPECIAL WASHER	RONDELLE SPECIALE	1	\$1.90
613	1202276130	SPRING	RESSORT	1	\$10.29
614	1202276140	WISE SCREW	TIGE VISSEE DE L'ETAU	1	\$74.69

Pricing subject to change without prior notice. / Prix sujet à changement sans préavis.



Parts Pricing List / Liste de Prix des Pièces

KC-227-2 KC-227-6

Diag.	Order # Com.	English Description	Description Française	Qty./Qté.	Price/Prix
617	1202276170	PAN HD SCREW	VIS A TETE BOMBEE	1	\$1.55
618	1202276180	HOSE CLAMP	ATTACHE-BOYAU	1	\$2.24
619	1202276190	HOSE CLAMP	ATTACHE-BOYAU	2	\$2.24
620	1202276200	PAN HD SCREW	VIS A TETE BOMBEE	2	\$1.55
621	1202276210	SPRING PIN	GOUPILLE A RESSORT	1	\$1.90
622	1202276220	BRACKET	SUPPORT DE L'ECROU	1	\$39.96
623	1202276230	ACME NUT	ECROU RAPIDE	1	\$32.60
624	1202276240	LOCKING BUTTON	BOUTON DE VERROUILLAGE	1	\$5.00
625	1202276250	SPRING WASHER	RONDELLE A RESSORT	1	\$1.55
626	1202276260	RETAINER	PLAQUE DE RETENUE	1	\$3.39
627	1202276270	PAN HD SCREW	VIS A TETE BOMBEE	1	\$1.55
900	1202279000	ELECTRICAL BOX (ONLY)	BOITE ELECTRIQUE (SEUL.)	1	\$109.19
901	1202279010	TRANSFORMER (220V TO 24V)	TRANSFORMATEUR (220V - 24V)	1	\$137.94
902	1202279020	RAIL END	FIN DE RAIL	1	\$5.69
903	1202279030	FUSE HOLDER	PORTE FUSIBLE	1	\$45.94
903-2	1202279032	FUSE (2 AMP)	FUSIBLE (2 AMP)	1	\$2.59
904	1202279040	COOLING PUMP RELAY	RELAIS DE SURCHARGE POUR POMPE	1	\$113.45
905	1202279050	CONTACTOR (24V COIL FOR 220V)	CONTACTEUR BOBINE 24 V POUR 220V	1	\$206.94
906	1202279060	OVERLOAD (FOR 220V)	RELAIS DE SURCHARGE (220V)	1	\$229.83
907	1202279070	STRAIN RELIEF	ATTACHE-FIL	4	\$2.59
	120227MBIL	BILINGUAL MANUAL KC-227-2/-6	MANUEL BILINGUE KC-227-2/-6	1	\$15.00