



# Gentex Commander<sup>2</sup> GE Series Low-Frequency Evacuation Signals GEC, GEH, GES Models

Section: Audio/Visual Devices

## GENERAL

The **Gentex Commander<sup>2</sup> GE Series** features low-profile strobes, horns or horn/strobe combinations that offer dependable audible and audible/visual alarms and the lowest current available.

Commander<sup>2</sup> GE Series horns allow selection of high or low dBA, of synchronizable chime or whoop tones, as well as selection of a 2400 Hz (remote signaling) or a low-frequency broadband 1500-3000 Hz mechanical sounding (evacuation) tone where doors must be considered.

Commander<sup>2</sup> GE Series models are easily field-changeable from temporal 3 to continuous tone by simply removing a jumper. GEC models are shipped from the factory on the temporal lower-frequency mode and come standard with a rugged cast-metal mounting plate.

The Commander<sup>2</sup> GE Series appliances have a minimal operation current and a minimum flash rate of 1 Hz regardless of input voltage. The **Super Slide™** feature tests supervision. A locking mechanism is included, which secures the product to the bracket without screws showing.

Commander<sup>2</sup> GE Series appliances are UL-Listed for use with fire protective systems per UL 464, UL 1971, and UL 1638. The appliances are warranted for three years from the date of purchase.

## FEATURES

- Installers can prewire the entire system, then install the signaling devices.
- Super Slide™ feature for easier supervision testing. When mounting Super Slide™, die-cast metal mounting plate mounts to single-gang boxes, double-gang boxes, 4" (101.6 mm) square boxes, or Gentex **GSB** box.
- Lower installation and operating costs.
- Input terminals utilize 12 AWG (3.25 mm<sup>2</sup>) to 18 AWG (0.75 mm<sup>2</sup>).
- True evacuation tone. Switch selection for:
  - High or low dBA.
  - High or low frequency (1500 to 3000 Hz).
  - Temporal 3 signaling, chime or whoop tones.
- Tamperproof reentrant grille.
- Rugged die-cast metal mounting bracket. Surface-mount with Gentex **GSB** box.
- Separate horn and strobe functions. Horn can be silenced while strobes remain flashing.
- Synchronize strobe and/or horn with Gentex **AVS44** control module.
- Widest range of candela available. 15/75, 75 and 110 candela strobes meets or exceeds ADA 4.28.3 requirements.
- Wide voltage range of 16 – 33 VDC or FWR.
- Dimensions: 5" (127 mm) high x 4.5" (114.3 mm) wide x 2.5" (63.5 mm) deep.
- Models available in red or off-white.



**LISTED**

S3406

(GEC, GEH models)  
S5405 (GES models)



California  
State Fire  
Marshal

7135-0569:122  
(GEC, GEH models)  
7125-0569:123  
(GES models)

**MEA**

285-91-E Vol. XV

**City of  
Chicago**

**ADA**



**Approved**

**Super Slide™** is a trademark of Gentex Corporation.

NOTIFIER® is a **Honeywell** company.

This document is not intended to be used for installation purposes. We try to keep our product information up-to-date and accurate. We cannot cover all specific applications or anticipate all requirements. All specifications are subject to change without notice. For more information, contact **NOTIFIER**. Phone: (203) 484-7161 FAX: (203) 484-7118



**NOTIFIER**®

12 Clintonville Road, Northford, Connecticut 06472

**ISO 9001**  
**CERTIFIED**  
ENGINEERING & MANUFACTURING

## ORDERING INFORMATION

<b>GEC 24 VDC Low-Profile Evacuation Horn — Wall or Ceiling Mount</b>					
RED Model Number	OFF-WHITE Model Number	RMS Horn Current	Anechoic Room @ 10 ft. (3.048 m)		
GEH24-R	GEH24-W	12 – 34 mA	100 dBA		
<b>GES 24 VDC Low-Profile Evacuation Strobe — Wall Mount</b>					
RED Model Number	OFF-WHITE Model Number	STROBE Candela	RMS Strobe Current @ 24 VDC		
GES24-15WR	GES24-15WW	15	55 mA		
GES24-15/75WR	GES24-15/75WW	15 (UL 1971) 75 (UL 1638)	63 mA		
GES24-30WR	GES24-30WW	30	63 mA		
GES24-60WR	GES24-60WW	60	88 mA		
GES24-75WR	GES24-75WW	75	112 mA		
GES24-110WR	GES24-110WW	110	136 mA		
<b>GEC 24 VDC Low-Profile Evacuation Horn/Strobe — Wall Mount</b>					
RED Model Number	OFF-WHITE Model Number	STROBE Candela	RMS Strobe Current @ 24 VDC	Horn Current	Anechoic Room @ 10 ft. (3.048 m)
GEC24-15WR	GEC24-15WW	15	55 mA	21 mA	100 dBA
GEC24-15/75WR	GEC24-15/75WW	15 (UL 1971) 75 (UL 1638)	63 mA	21 mA	100 dBA
GEC24-30WR	GEC24-30WW	30	63 mA	21 mA	100 dBA
GEC24-60WR	GEC24-60WW	60	88 mA	21 mA	100 dBA
GEC24-75WR	GEC24-75WW	75	112 mA	21 mA	100 dBA
GEC24-110WR	GEC24-110WW	110	136 mA	21 mA	100 dBA

6872ordr.tbl

**NOTES:** INDOOR USE ONLY; the GE Series is not Listed for outdoor use. OPERATING TEMPERATURE: 32°F to 120°F (0°C to 49°C). For NOMINAL AND PEAK CURRENT across UL regulated voltage range for filtered DC power and unfiltered full-wave rectified (FWR) power, see installation instructions. **WHEN PLACING AN ORDER:** The following letters are used at the end of the model number: “W” (WALL mount), and either “R” at end (RED faceplate), or “W” at end (OFF-WHITE faceplate). All units are available in PLAIN (no lettering); when ordering, add a “P” at end of model number (these units are non-returnable). “AGENT” bezel also available. **STROBES ARE WALL-MOUNT ONLY.**

## ARCHITECTURAL AND ENGINEERING SPECIFICATIONS

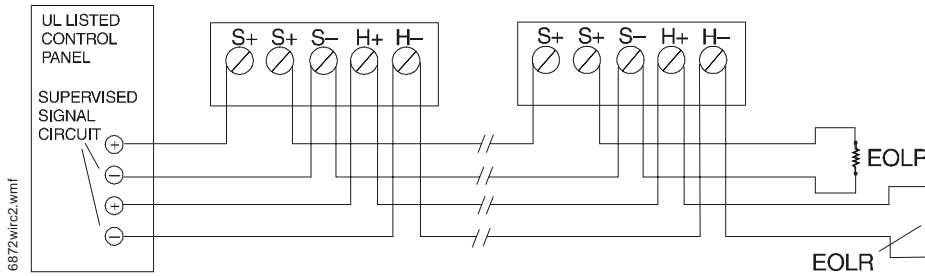
The audible and/or visible signal shall be Gentex GE Series or approved equal and shall be Listed by Underwriters Laboratories, Inc. per UL 1971, UL 1638, and/or UL 464. The notification appliance shall also be listed with the California State Fire Marshal (CSFM) and the Bureau of Standards and Appeals (NYC).

The notification appliance (combination audible/visible and audible units only) shall produce a peak sound output of 100 dBA or greater as measured in an anechoic chamber. The signaling appliance shall also have the capability to silence the audible signal while leaving the visible signal energized with the use of a single pair of power wires. Additionally, the user shall be able to select either continuous or temporal tone output with the temporal signal having the ability to be synchronized.

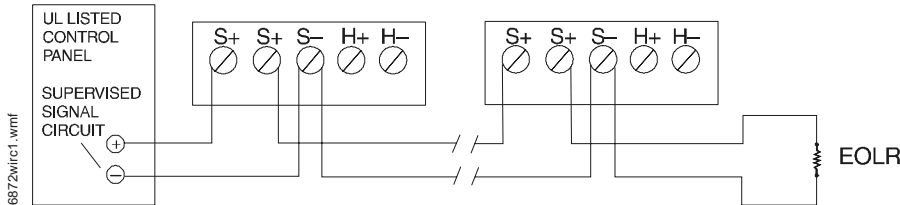
The audible/visible and visible signaling appliance shall also maintain a minimum flash rate of 1 Hz or greater regardless of power input voltage. The appliance shall also be capable of meeting the candela requirements of the ADA (75 candela) for the combination-Listed (UL 1971/UL 1638) models. The appliance shall have an operating current of 63 mA or less at 24 VDC for the 15/75 candela strobe circuit.

The appliance shall be polarized to allow for electrical supervision of the system wiring. The appliance shall be capable of test supervision without disconnecting wires. The unit shall have an input voltage range of 16 to 33 volts with either direct current or full-wave-rectified power.

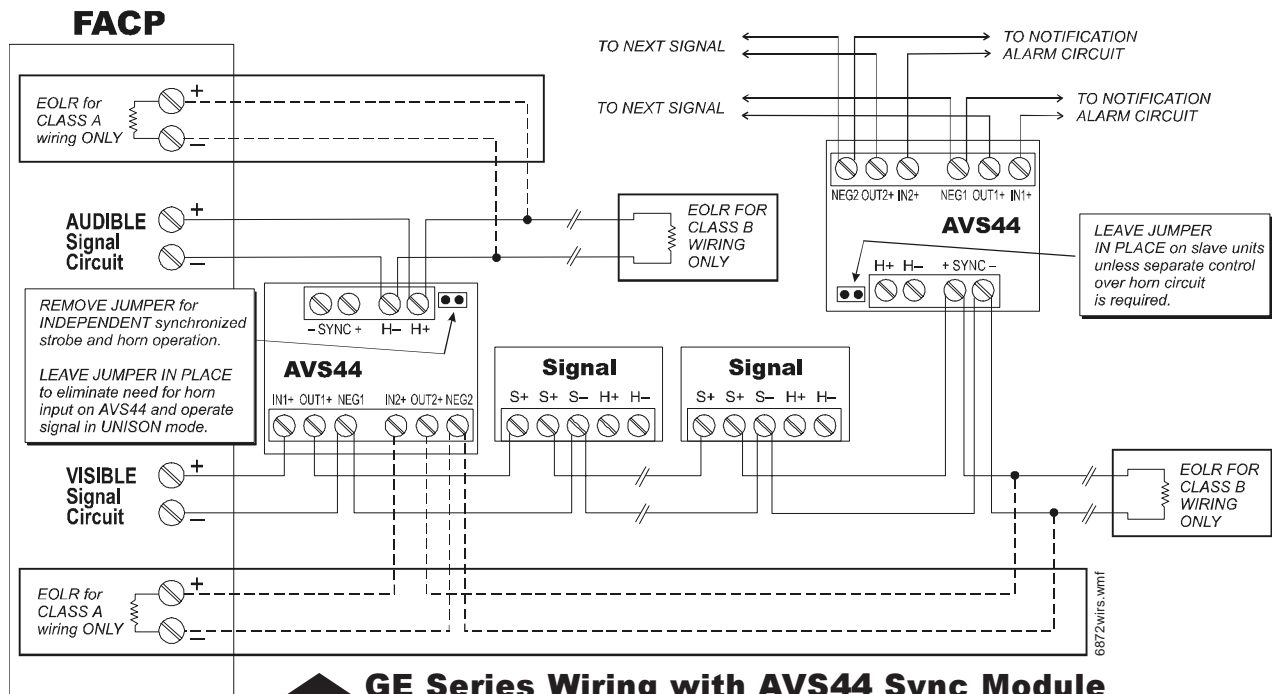
The unit shall be provided with a mounting bracket with terminals with barriers for input/output wiring and be able to mount to a single-gang box, a double-gang box, or a double workbox without using an adapter plate. The appliance shall also be capable of mounting to a surface backbox.



**GEC Models  
Conventional  
Wiring**



**GEH/GES Models  
Conventional  
Wiring**



**GE Series Wiring with AVS44 Sync Module**

6872horn.tbl

Horn Ratings over Input Voltage Range of 16 - 33 V												
Horn Mode	dBA @ 10' (3.048 m) per UL 464 HIGH dB			dBA @ 10' (3.048 m) per UL 464 LOW dB			DC (mA)			FWR (mA)		
	16 V	24 V	33 V	16 V	24 V	33 V	16 V	24 V	33 V	16 V	24 V	33 V
Temporal 3 2400 Hz	78	83	84	71*	75	77	13	19	24	27	37	43
Temporal 3 Mechanical	76	81	82	70*	73*	76	11	16	22	23	33	40
Temporal 3 Chime	70*	71*	71*	66*	68*	70*	9	12	15	19	24	29
Continuous 2400 Hz	81	86	87	74*	78	80	14	21	28	21	42	48
Continuous Mechanical	80	84	85	72*	76	78	13	18	25	27	37	44
Continuous Chime	70*	71*	73*	66*	68*	70*	10	12	15	19	24	30
Whoop	82	83	83	69*	72*	75	43	51	56	51	58	62

**TABLE NOTES:** 1) \*Operating the horn in this mode at this voltage will not meet the minimum UL reverberant sound level required for public mode fire protective service. These settings are acceptable only for private mode fire alarm use. Use the high dBA setting for public mode application (not applicable when using the chime tone — the chime tone is always private mode). 2) The sound output for the temporal 3 tone is rated lower, as the time the horn is off is averaged into the sound output rating. While the horn is producing a tone in the temporal 3 mode, its sound pressure is the same as when in continuous mode.