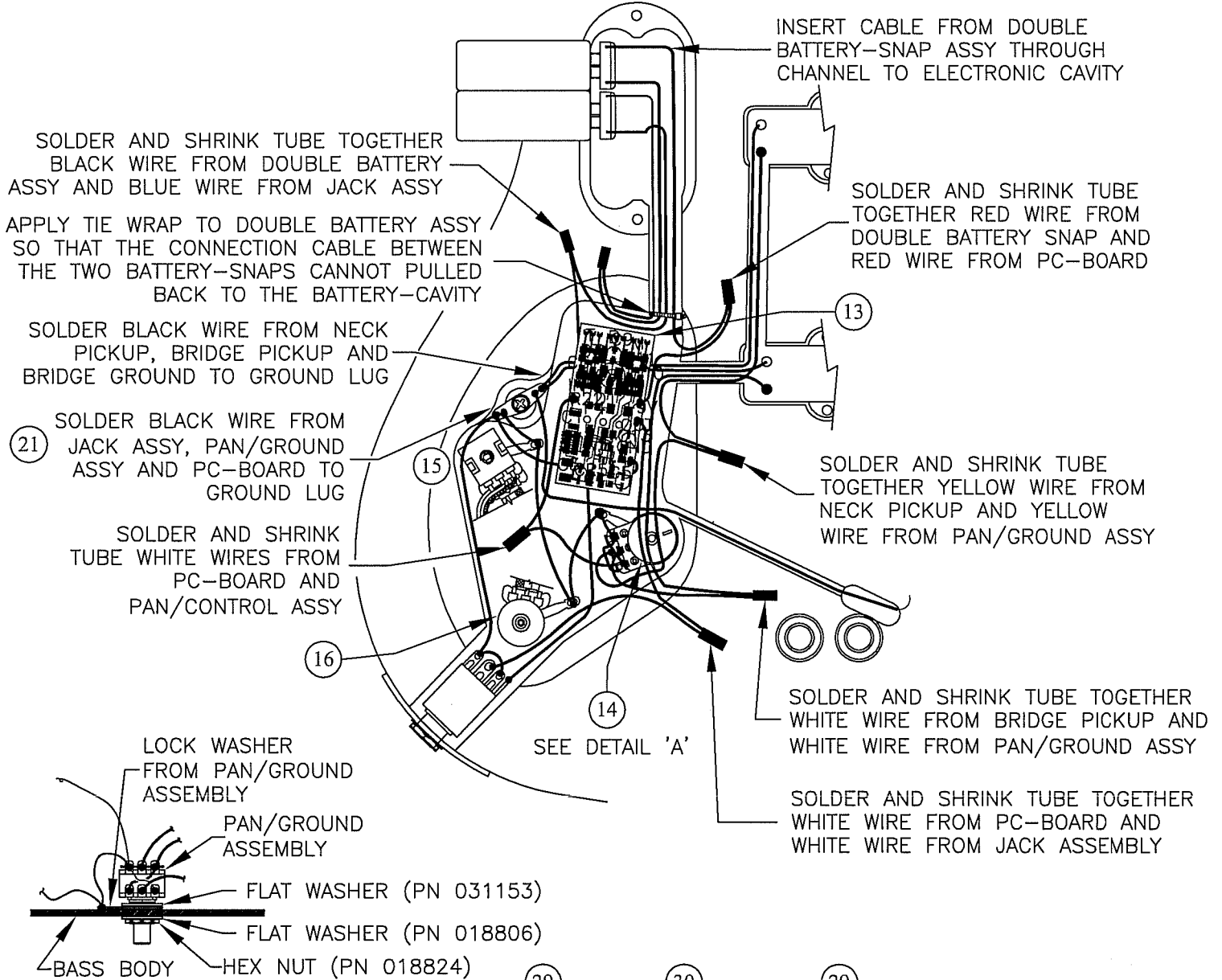
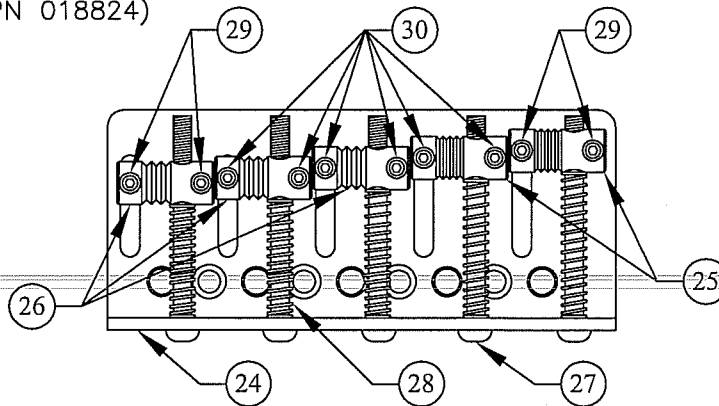


# AMERICAN DELUXE JAZZ BASS® V, QMT, 0194680

## CONTROL ASSEMBLY



**DETAIL 'A'**  
PAN CONTROL MOUNTING  
(SEE NOTE BELOW)



## BRIDGE ASSEMBLY

NOTE:  
FLAT WASHER MUST BE INSTALLED AGAINST PAN POT TO AVOID FAILURE OF POT

