

OPERATOR'S MANUAL

LP3007-X

INCLUDING: SPECIFICATIONS, SERVICE KITS, PLACING INTO SERVICE, TROUBLESHOOTING
INCLUDE MANUALS: LM2350E-X-B (97999-825), S-633 GENERAL INFORMATION (97999-625), 636111 CONTROL HAN-
DLE (97999-16), 636077 "Z" SWIVEL (97999-42)

RELEASED: 1-26-98
REVISED: 8-22-03
(REV. B)



LP3007-1 CART MOUNTED GREASE PUMP SYSTEM

SERVICE KITS

- Use only genuine ARO® replacement parts to assure compatible pressure rating and longest service life.
- **637227-B Pump Rebuild Kit.** Includes the necessary soft parts for normal service of the entire pump.

SPECIFICATIONS

Model Series	LP3007-1
Type	Air Operated, 60 lb. Grease Pump System
Ratio	50:1
Air Motor Diameter	3" (7.62 cm)
Stroke (Single acting)	3" (7.62 cm)
Air Inlet (female)	1/4 - 18 N.P.T.F. - 1
Material Outlet (female)	3/8 - 18 N.P.T.F. - 1
Pump Construction	Carbon Steel
Dimensional Data	see page 2
Weight	51.5 lbs. (23.4 kg)

PERFORMANCE

Air Inlet Pressure Range	0 - 150 p.s.i. (0 - 10.3 bar)
Fluid Pressure Range	0 - 7500 p.s.i. (0 - 517.2 bar)
Displacement In ³ Per Cycle	0.875
Cycles Per Lb.	30
Maximum Delivery / Min.	7.5 lbs (3.4 kg)
Noise Level @ 100 p.s.i.	85 db(A)

GENERAL DESCRIPTION

LP3007-1 Portable Lubrication System. Includes the 50:1 pump, drum cover assembly, hose, control handle and two wheel container.

IMPORTANT

This is one of five documents which support the pump system. Replacement copies of these forms are available upon request.

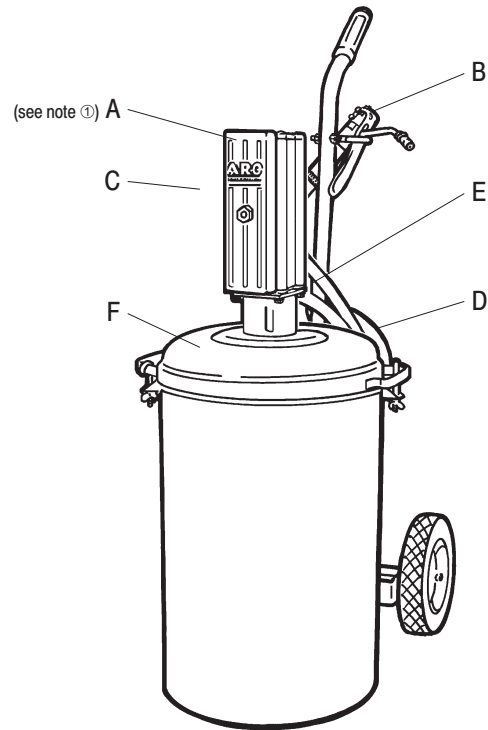
- LP3007-1 SYSTEM OPERATOR'S MANUAL
- LM2350E-X-B PUMP OPERATOR'S MANUAL
- S-633 GENERAL INFORMATION LUBRICATION SYSTEMS
- 636111 CONTROL HANDLE MANUAL
- 636077 "Z" SWIVEL MANUAL

OPERATING AND SAFETY PRECAUTIONS

⚠ WARNING READ THE GENERAL INFORMATION MANUAL INCLUDED FOR OPERATING AND SAFETY PRECAUTIONS AND OTHER IMPORTANT INFORMATION.

PUMP DATA

LP3007-1 GREASE PUMP SYSTEM



MAJOR COMPONENTS

Item	Description (size in inches)	Qty	Part No.
A	Basic 50:1 Grease Pump	(1)	LM2350E-61-B
B	Control Handle	(1)	636111
C	"Z" Swivel (not shown)	(1)	636077
D	1/4" I.D. Hose (1/8 - 27 N.P.T.F. x 6')	(1)	624201-6
E	Adapter (1/8 - 27 x 3/8 - 18 N.P.T.F.) ②	(1)	76493
F	Cover Assembly	(1)	62050

① Pump is rotated 180° to show air inlet.

② Attaches pump outlet to hose.



PARTS LIST

Item	Description (size in inches)	Qty	Part No.	[Mtl]
1	Gasket	(1)	4087	[R]
2	Screw (1/4" - 20 x 3/4")	(1)	Y10-403-Z	[C]
3	"O" Ring (3/16" x 1-7/8" o.d.)	(1)	Y325-325	[B]
4	Grip	(1)	71747-1	[R]
5	Eye Bolt	(1)	94543	[C]
6	Nut (3/8" x 16)	(5)	Y12-6-C	[C]
7	Tube	(1)	71746	[C]
8	Lock Washer (3/8")	(1)	Y1-616-C	[C]
9	Screw (3/8" - 16 x 1-1/2")	(1)	Y6-67-C	[C]

Item	Description (size in inches)	Qty	Part No.	[Mtl]
10	Wheel	(2)	71045-1	[C/R]
11	Cotter Pin (1/8" x 1")	(2)	Y15-43	[C]
12	Spacer	(4)	77750	[C]
13	Hook	(2)	71257-1	[C]
14	Wing Nut (5/16" - 18)	(2)	Y89-9-C	[C]
15	Frame / Container Assembly	(1)	71740-1	[C]

MATERIAL CODE: [C] = Carbon Steel, [R] = Rubber, [SS] = Stainless Steel, [V] = Vinyl

