

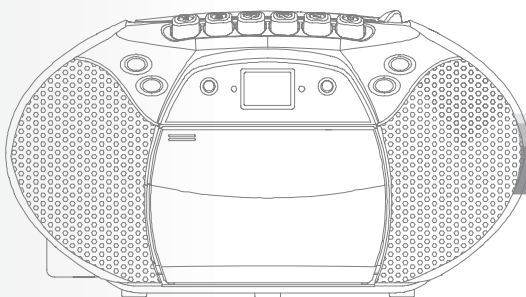


Instruction Manual

SMB-637

- **PORTABLE CD PLAYER
WITH STEREO RADIO
CASSETTE RECORDER**

Please read before using this unit.



IMPORTANT SAFETY INSTRUCTIONS

WARNING:

TO PREVENT FIRE OR SHOCK HAZARD, DO NOT USE THIS PLUG WITH AN EXTENSION CORD, RECEPTACLE OR OTHER OUTLET UNLESS THE BLADES CAN BE FULLY INSERTED IN ORDER TO PREVENT BLADE EXPOSURE. TO PREVENT FIRE OR SHOCK HAZARD. DO NOT EXPOSE THIS APPLIANCE TO RAIN OR MOISTURE.



The symbol of a lightning flash with arrowhead inside an equilateral triangle is intended to alert the user to the presence of uninsulated “dangerous voltage” within the product’s enclosure, which may be of sufficient magnitude to constitute a risk of electric shock to people.

CAUTION

**RISK OF ELECTRIC SHOCK
DO NOT OPEN**

Warning: to reduce the risk of electric shock, do not remove the cover (or the back). There are no user-serviceable parts inside. Servicing should be performed by qualified service personnel.



The exclamation point inside an equilateral triangle is intended to alert the user to the presence of important operating and maintenance (servicing) instructions in the literature accompanying the appliance.

1. Read these instructions.
2. Keep these instructions.
3. Heed all warnings.
4. Follow all instructions.
5. Do not use this appliance near water.
6. Clean only with a dry cloth.
7. Do not block any ventilation openings. Follow the manufacturer’s instructions for installation.
8. Do not install near radiators, heat registers, stoves, or other heat sources, including appliances that produce heat (e.g.: amplifiers).
9. Do not defeat the safety purpose of the polarized or grounding-type plug. A polarized plug has two blades, with one wider than the other. A grounding-type plug has two blades and a third grounding prong. The wide blade or the third prong are provided for your safety. If the plug that is provided does not fit into your outlet, consult an electrician in order to replace the obsolete outlet.
10. Protect the power cord from being walked on or pinched, especially at the plug, the outlet, and the point where it exits from the appliance.
11. Only use attachments/accessories that are specified by the manufacturer.
12. Unplug the appliance during lightning storms or when it will not be used for long periods of time.
13. All servicing must be performed by qualified personnel. Servicing is required when the appliance has been damaged in any way, for example, if the power cord or plug is damaged, if liquid has been spilled or objects have fallen into the appliance, if the appliance has been exposed to rain or moisture, if the appliance does not operate normally, or if the appliance has been dropped.
14. Do not expose this appliance to dripping or splashing water, and do not place objects filled with liquids, such as vases, on top of the appliance.

CAUTION: TO PREVENT ELECTRICAL SHOCK, MATCH THE WIDE BLADE OF THE PLUG TO THE WIDE SLOT, AND INSERT IT FULLY.

PRECAUTIONS

CAUTION:

- To avoid electric shock, this appliance must not be exposed to dripping or splashing water
- Maintain a minimum clearance around the appliance for sufficient ventilation;
- Ventilation should not be impeded by covering the ventilation openings with items such as newspapers, table-cloths, curtains, etc.
- Do not place any source of open flame, such as a lighted candle, on the appliance;
- Before discarding the appliance, remove the batteries and place them in a proper battery collection container.

CAUTION

CLASS 1 LASER PRODUCT

Use of controls or adjustments, or performance of procedures other than those specified herein, may result in hazardous radiation exposure.

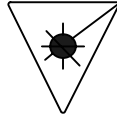
CLASS 1 LASER PRODUCT
LUOKAN 1 LASERLAITE
KLASS 1 LASERAPPARAT

CAUTION

CLEANING: Always disconnect the appliance from the power supply before attempting to clean it. Use a soft cloth moistened with soapy water, and wipe gently. Do not use solvents or abrasive materials.

LASER SAFETY

This appliance contains a laser. Only qualified service personnel should attempt to repair it.

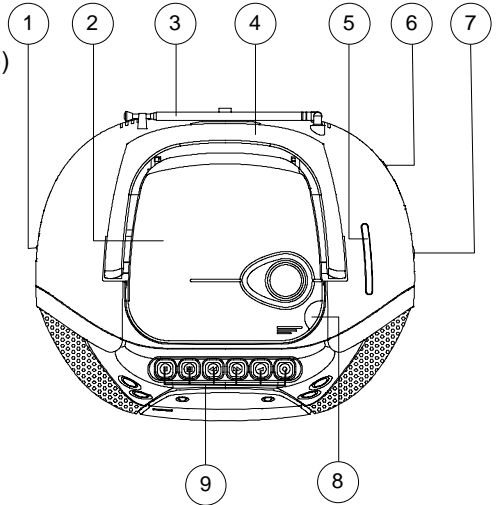


DANGER: INVISIBLE LASER RADIATION WHEN THE APPLIANCE IS OPEN AND THE INTERLOCK IS FAILED OR DEFEATED. AVOID DIRECT EXPOSURE TO THE BEAM.
CAUTION: HAZARDOUS LASER RADIATION WHEN THE APPLIANCE IS OPEN AND THE INTERLOCK IS DEFEATED.

LOCATION OF CONTROLS

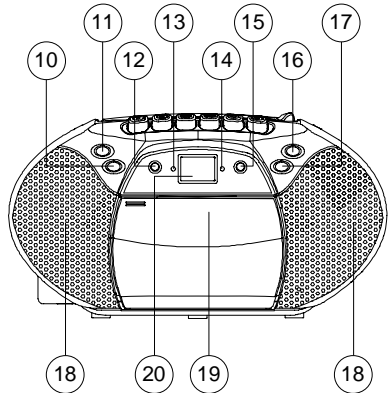
TOP VIEW

1. FUNCTION Switch (CD/FM/AM/TAPE(OFF))
2. CD Door
3. FM Rod Antenna
4. Handle
5. Dial Scale Indicator
6. Tuning Control
7. Volume Control
8. CD Door OPEN lid
9. Cassette Control Buttons



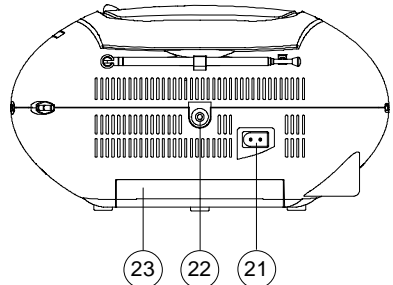
FRONT VIEW

10. CD SKIP BACK Button
11. CD SKIP NEXT Button
12. CD REPEAT Button
13. POWER ON LED Indicator
14. FM ST. LED Indicator
15. CD PROG/MEM Button
16. CD PLAY/PAUSE Button
17. CD STOP Button
18. Loudspeakers
19. Cassette Door/Compartment
20. CD Track Display



BACK VIEW

21. AC Input socket
22. Stereo Headphone Jack
23. Battery Door/Compartment



INTRODUCTION

Please read these instructions carefully before using this product and retain them in a safe place for future reference.

POWER SUPPLY

This Product can be powered by either AC120V~60Hz Mains supply or by 6 R14 (C size) Alkaline batteries.

AC OPERATION

1. Remove the AC cord which is packed inside the product.
2. Connect the cord to the AC input socket.
3. Connect the mains plug to a household AC socket.

BATTERY OPERATION

1. Insert 6 R14 (C-size) batteries (not supplied) Alkaline type recommended into the battery compartment observing the correct polarity as indicated.
2. Ensure compartment cover is securely fitted.
3. Product will only function from batteries once the AC cord is removed from the unit.
4. When replacing flat batteries, ensure all batteries are replaced at the same time with the same type.
5. If the product is not to be used for an extended period of time the batteries should be removed to prevent any possible damage to the product.

USING THE RADIO

1. Switch the FUNCTION selector to either FM or AM as required.

FM BAND

2. If FM is selected ensure the telescopic antenna is fully extended and positioned vertically.
3. Turn the TUNING control until the desired station is located.
4. If the station is broadcasting in stereo, the stereo indicator will illuminate. To listen to a broadcast in stereo.
5. To achieve optimum reception adjust the position of the telescopic antenna.

AM BAND

6. For AM reception the product has a built-in antenna, to achieve best reception the product should be rotated, until the strongest signal is obtained.

GENERAL

7. Once the required station has been located, adjust the VOLUME control to the desired levels.

USING THE CASSETTE

NORMAL PLAYBACK

1. Switch the function selector to TAPE.
2. Press the STOP/EJECT key to open the cassette compartment and insert a prerecorded tape, with the exposed portion of the tape upwards and the full spool on the right Gently push the door to close.
3. Press the PLAY key to start playback.
4. Adjust the VOLUME control to the desired levels.
5. To briefly suspend playback press the PAUSE key, releasing it resumes playback.
6. To advance or rewind the tape rapidly use the FAST FORWARD or REWIND keys.
7. To stop playback press the STOP/EJECT key, press it fully down to eject the cassette.

Note: When the cassette reaches it's end during playback or recording, the mechanism will stop and the keys return to their normal positions.

RECORDING

Please note Chrome or Metal tapes are not recommended for use in this product.

1. Select desired function (CD or AM/FM) or TAPE for voice recording via internal condenser microphone.
2. Insert a blank tape with recording tabs intact into the cassette compartment.
3. Operate the desired function and select the material to be recorded.
4. Press the RECORD key, the PLAY key will automatically engage.
5. The product has a built-in ALC circuit which automatically adjusts the record level for quality recording.
6. To temporarily stop or edit the recording press the PAUSE button.
7. To stop recording press the STOP/EJECT button.

RECORDING FROM CD

1. Set the Function Selector to the CD position.
2. Press the Record Key and the Play Key at the same time.
3. Press the CD Play/Pause button.
4. To stop recording, press the Stop button of CD player. Then press the Stop/Eject key of the cassette deck.

USING THE CD PLAYER

1. Switch the function selector to CD.
2. Press the CD OPEN button to open the CD door and insert a disc with the label facing uppermost . Close the lid. (Ensure the disc is correctly mounted on the spindle and locked in place)
3. After a few seconds, the product will scan the disc and the display will show the total number of tracks on the disc. If the disc is incorrectly inserted or defective the display will show "--".
4. Press PLAY/PAUSE button to start playback, then adjust the VOLUME control to desired levels. Current track being played will be shown in the display.
5. To temporarily pause playback press the PLAY/PAUSE button, the play indicator flashes in the display. To resume playback press this button again.
6. To stop playback press the STOP button. The display will show the total number of tracks on the display. This remains in the display until either the disc is removed or another function is selected.
7. To skip up or down tracks on the disc use either ">>| or |<<" skip button.

Note: CD-R/CD-RW can be playable.

REPEAT PLAY

1. To repeat the track currently being played press the REPEAT button once. "REP." will show in the display.
2. To repeat the entire disc (continuous play) press the REPEAT button twice. "REP. A" will show in the display.
3. To return to normal play mode press REPEAT button until "REP. A" disappears from the display.

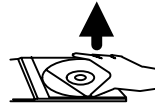
PROGRAMMED PLAY

Up to 20 tracks can be programmed for playback in any desired order.

1. Ensure CD is in the stop mode.
2. Press the PROG/MEM button, "PROG" and "00" will show in the display and flash.
3. Using the SKIP buttons >>| or |<< select the first track to be memorized.
4. Press the PROG/MEM button. This track is now placed in the memory.
5. Repeat the above process up to a maximum of 20 tracks. If more than 20 tracks are entered, "PROG" and " - - " will flash in the display to indicate the program is full and no further tracks should be entered.
6. To play the programmed selection, press the PLAY/PAUSE button.
7. To cancel Programmed play and resume normal playback, press the STOP button at program mode.
8. The selected programmed track is deleted from the program when either the CD lid is opened or another function is selected Tape, Radio etc.
9. This function can also be used when making a recording from CD.
10. To recall the programmed selection (providing the CD door has not been opened or another function selected) press PROG/MEM button twice.

CARE AND MAINTENANCE (CD PLAYER)

- Treat the disc carefully. Handle the disc only by its edges. Never allow your fingers to contact with the shiny, unprinted side of the disc.
- Do not attach adhesive tape, stickers etc., to the disc label.
- Clean the disc periodically with soft, lint-free, dry cloth. Never use detergents or adhesive cleaners to clean the disc. If necessary, use a CD cleaning kit.
- If disc skips or gets stuck on a section of the disc, it is probably dirty or damaged (scratched).
- When cleaning the disc, wipe in straight lines from the centre of the disc to the edge of the disc. Never wipe in circular motions.
- To remove a disc from its storage case, press down on the centre of the case and lift the disc out, holding it carefully by the edges.
- Fingerprints and dust should be carefully wiped off the disc's recorded surface with a soft cloth. Unlike conventional records, compact disc has no groove to collect dust and microscopic debris, so gently wiping with a soft cloth should remove most particles.



SPECIFICATION

POWER SUPPLY

AC: AC120V~60Hz
Batteries: DC 9V
6 x R14 or equivalent

RADIO FREQUENCY COVERAGE

FM: 88 - 108MHz
AM: 530 - 1700KHz

RECORDING SYSTEM

Recording System: DC Bias
Erasing System: Magnet Erase

GENERAL

Speaker: 8 Ohms

CD PLAYER

Pick Up: 3-Beam, Semiconductor Laser
1 Bit DA Converter
Encoding: 8 Time Oversampling

www.bratz.com

TM & © MGA Entertainment, Inc.
All Right Reserved. Used under license by
The Singing Machine Co., Inc.



The Singing Machine Company, Inc.

637-0706-ENG01

6601 Lyons Road, Bldg. A7, Coconut Creek, FL33073-9902, USA.
TEL: (954) 596-1000 FAX: (954)596-2000

PRINTED IN CHINA

VISIT OUR WEBSITE www.singingmachine.com