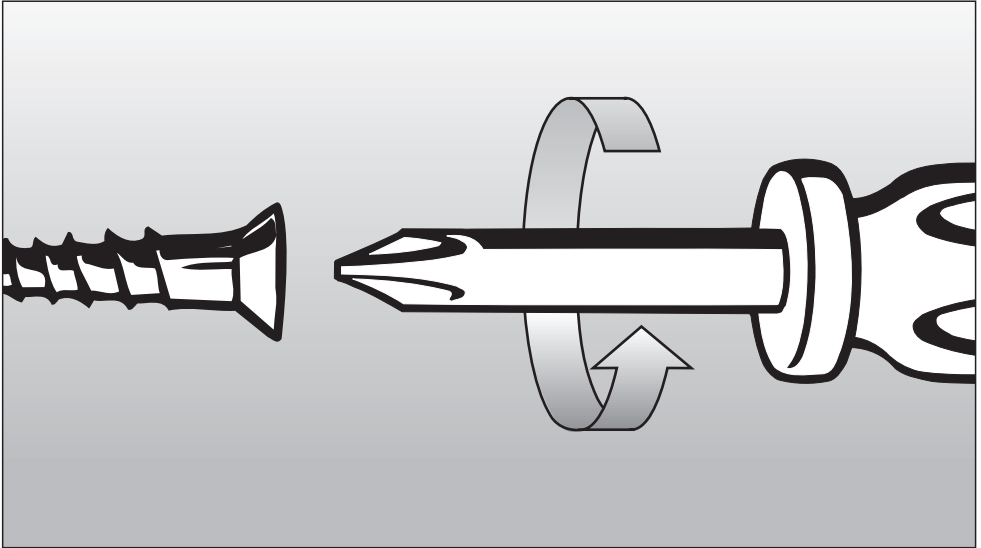


Installation instructions



Oven H 399 B

To avoid the risk of accidents or damage to the appliance it is essential to read these instructions **before** it is installed or used for the first time.



Contents

General notes	3
H 399 B	4
Appliance and building-in dimensions	4
Building in and connecting to services	5
Securing the oven	6
Electrical connection	7
Connection diagram	9

Installation

■ This equipment is not designed for maritime use or for use in mobile installations such as caravans, aircraft etc. However it may be suitable for such usage subject to a risk assessment of the installation being carried out by a suitably qualified engineer.

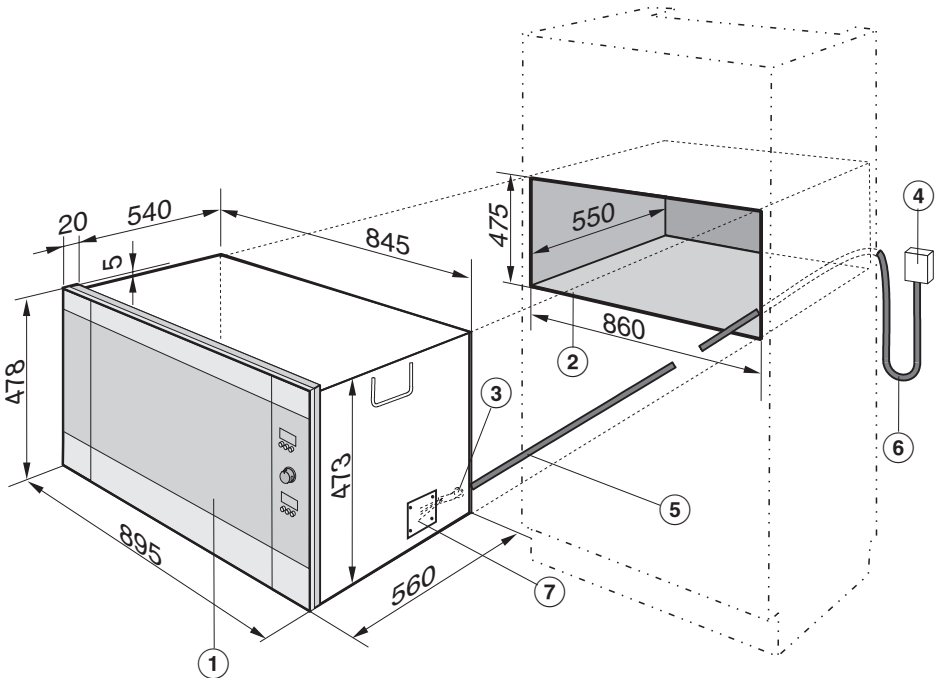
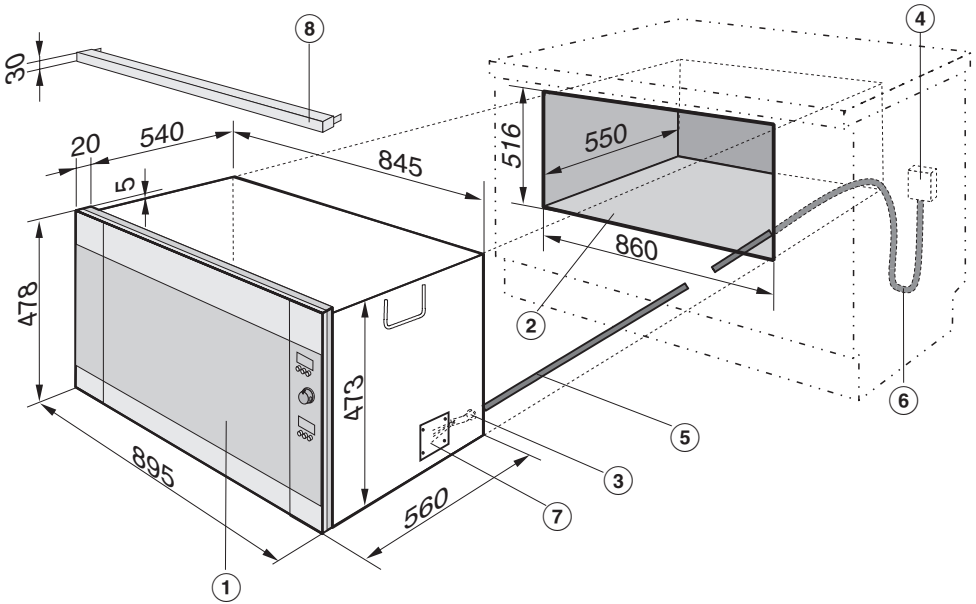
■ Important:
Do not fit insulation material inside the housing unit. This would hinder the intake of air to cool the appliance.

Keep these instructions in a safe place and pass them on to any future owner of the appliance.

All dimensions in this instruction booklet are given in mm.

H 399 B

Appliance and building-in dimensions



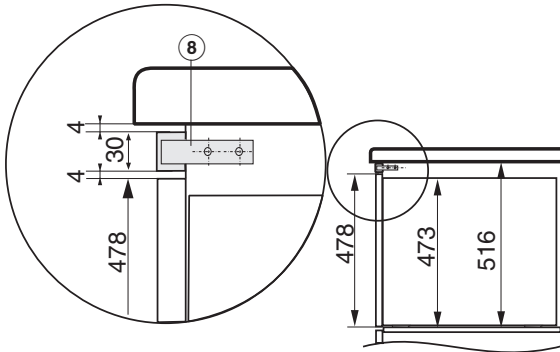
Building in and connecting to services

- ① Oven
- ② Building-in recess with full depth floor panel
- ③ Inlet for mains connection cable to the appliance
- ④ Isolator switch position. This should preferably be located in the housing unit to the right of the appliance. (Do not locate the isolator switch behind the appliance).
- ⑤ Mains connection cable
- ⑥ Mains connection cable loop
- ⑦ Cover panel, behind which the terminals in the appliance are located.
- ⑧ Filler strip HAL 90

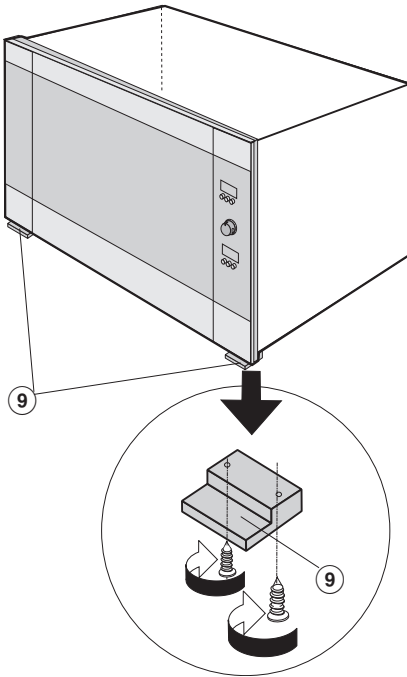
- The filler strip is secured, as illustrated, to the underside of the worktop inside the building-in recess.
- Turn off the power supply at the isolator switch. See "Electrical connection".
- Open cover panel ⑦ and connect mains connection cable ⑤ to the isolator switch ④, and then to the terminal block in the oven ①.

See "Electrical connection" for connection diagram.

Filler strip ⑧ is only required when fitting an H 399 B into a base unit. It is available to order through the Spare Parts Dept.

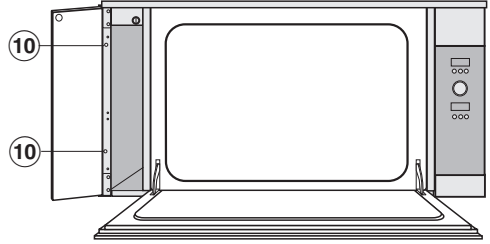


Securing the oven



- Taking care not to trap or damage the connection cable push the oven into the recess up to the wooden transport protection (9).
- Remove the transport protection (9) (see illustration), push the oven completely into the recess and align it.

After it has been aligned the oven must be secured in the housing unit.



- Fit the fixing screws (10) (supplied) into the vertical strip on the left hand side of the appliance as shown in the illustration.
- Reconnect the mains electricity supply to the isolator switch. See "Electrical connection" for further details.
- Check all the appliance functions using the Operating Instructions supplied.

Electrical connection UK/ZA

All electrical work should be undertaken by a suitably qualified and competent person in strict accordance with national and local safety regulations.

Installation, repairs and other work by unqualified persons could be dangerous. The manufacturer cannot be held responsible for unauthorised work.

Ensure power is not supplied to the appliance while installation or repair work is being carried out.

The appliance must only be operated when built-in. This is to ensure that all electrical parts are shielded. Live parts must not be exposed.

Connection of this appliance should be made via a suitable isolator which complies with national and local regulations and the on/off switch should be easily accessible after the appliance has been built in.

If the socket is not accessible after installation (depending on country) an additional means of disconnection must be provided for all poles.

For extra safety it is advisable to install a residual current device with a trip current of 30 mA (in accordance with DIN VDE 0664, VDE 0100 Section 739).

When switched off there must be an all-pole contact gap of 3 mm in the isolator switch (including switch, fuses and relays according to EN 60 335).

The **voltage, rated load and fusing** are given on the data plate, visible inside the side compartment. Ensure that these match the household mains supply. Please quote these data, and the model and serial number when contacting the Service dept.

Electrical connection

Important U.K.

This appliance is designed for connection to a single phase 230-240 V 50 Hz supply using a suitable 3-core cable.

The wires in the mains lead are coloured in accordance with the following code:

Green/yellow = earth

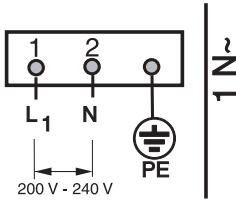
Blue = neutral

Brown = live

In other countries check these details with your supplier.

WARNING
THIS APPLIANCE MUST BE
EARTHED

Connection diagram



Important

The electrical safety of this appliance can only be guaranteed when continuity is complete between the appliance and an effective earthing system, which complies with local and national regulations. It is most important that this basic safety requirement is tested by a qualified electrician. The manufacturer cannot be held responsible for the consequences of an inadequate earthing system such as an electric shock.

The manufacturer can assume no responsibility for damage which is the direct or indirect result of incorrect installation or connection.

**Singapore:****Miele Southeast Asia**

Miele Pte. Ltd.

163 Penang Road

04 - 02/03 Winsland House II

Singapore 238463

Tel : +65-67351191

Fax: +65-67351161

Email: mielesea@miele.com.sg

South Africa:

Miele (Pty) Ltd

304 Tungsten Road, Strijdom Park 2194

P.O.Box 1654, Randburg 2125

Tel. (011) 793-7452, Telefax (011) 793-7447

Internet: www.miele.co.za

E-mail: info@miele.co.za

Ireland:

Miele Ireland Ltd.

Broomhill Road, Tallaght, Dublin 24

Tel: (01) 46 10 710, Fax: (01) 46 10 797

Email: info@miele.ie

Internet: <http://www.miele.ie>

United Kingdom:

Miele Co. Ltd.

Fairacres, Marcham Road, Abingdon, Oxon, OX14 1TW

tel. Abingdon (01235) 554455 - fax (01235) 554477

Service Office, tel. Abingdon (01235) 554466

Internet: www.miele.co.uk