

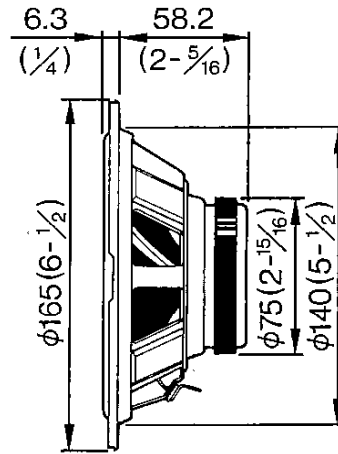
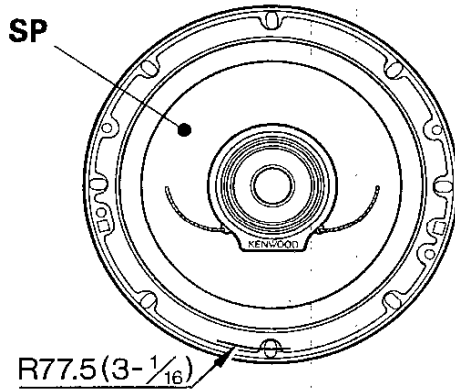
KFC-1774C

SERVICE MANUAL

KENWOOD

© 1994-11 PRINTED IN JAPAN
B51-6775-00(N)1223

EXTERNAL VIEW



UNIT : mm (inch)




PARTS LIST

★New Parts

Parts without **Parts No.** are not supplied.
Les articles non mentionnés dans le **Parts No.** ne sont pas fournis.
Teile ohne **Parts No.** werden nicht geliefert.

Ref No.	New Parts	Parts No.	Description
①~②	★	N99-1293-08	Screw set
③	★	E30-5246-08	Speaker cord
SP	★	T15-0280-08	Speaker

PARTS INCLUDED

- ①  $\phi 4 \times 16$ × 8
- ②  × 8
- ③  2m(6.6ft)..... × 2

SPECIFICATIONS

Speakers	
Woofer	165mm (6-1/2 in) Injection P.P. Cone Type 185g (6.5 oz) Magnet
Tweeter	50mm (1-15/16 in) Water Resistant Cone Type
Peak Power	80Watts
Frequency Response	35Hz~25,000Hz
Sensitivity	91dB/W at 1m
Impedance	4 Ohms
Net Weight	1,340g (3.0 lb)/Pair

Note: **KENWOOD** follows a policy of continuous advancements in development.
For this reason specifications may be changed without notice.

KENWOOD CORPORATION

14-8, Doganzaka 1-chome, Shibuya-ku, Tokyo 150, Japan
KENWOOD SERVICE CORPORATION
 P.O. BOX 22745, 2201 East Dominguez St., Long Beach, CA 90801-5745, U.S.A.
KENWOOD ELECTRONICS CANADA INC.
 6070 Kestrel Road, Mississauga, Ontario, Canada L5T 1S8
KENWOOD ELECTRONICS LATIN AMERICA S.A.
 P.O. BOX 55-2791, Piso 6 Plaza Chaso, Cl. 47 y Aquilino de la Guardia, Panama, Republic de Panama
TRIO-KENWOOD U.K. LIMITED
 KENWOOD House, Dwight Road, Watford, Herts., WD1 8EB United Kingdom
KENWOOD ELECTRONICS BENELUX N.V.
 Mechelsesteenweg 41B B-1930 Zaventem, Belgium
KENWOOD ELECTRONICS DEUTSCHLAND GMBH
 Rembrücker-Str. 15, 63150 Heusenstamm, Germany
TRIO-KENWOOD FRANCE S.A.
 13 Boulevard Ney, 75018 Paris, France
KENWOOD ELECTRONICS ITALIA S.p.A.
 Via G. Sirtori, 7/B 20129 Milano, Italy
KENWOOD ESPAÑA S.A.
 Bolivia, 239-09020 Barcelona, Spain
KENWOOD ELECTRONICS AUSTRALIA PTY. LTD. (A.C.N. 001 499 074)
 P.O. BOX 504, 8 Figtree Drive, Australia Centre, Homebush, N.S.W. 2140, Australia
KENWOOD & LEE ELECTRONICS, LTD.
 Unit 3712-3724, Level 37 Tower one, Metroplaza, 223 Hing Fong Road, Kwai Fong, N.T. Hong Kong
KENWOOD ELECTRONICS SINGAPORE PTE LTD.
 No. 1 Genling Lane #07-00, KENWOOD Building, Singapore, 1334
KENWOOD ELECTRONICS (MALAYSIA) SDN LTD.
 10th Floor, Block B, Wisma Semantan, No. 12, Jalan Gelenggang, Bukit Damansara,
 50490 Kuala Lumpur, Malaysia