

TRADEMARKS

All brand names and products are Registered Trademarks of their respective Companies.

Warning: Your security camera is a quality digital product. You have to take utmost care while handling this product to insure its reliability & durability.

DISCLAIMER

The information in this document is subject to change without notice. The manufacturer makes no representations or warranties with respect to the contents hereof and specifically disclaims any implied warranties of selling or functionality for any particular purpose.

Digital Peripheral Solutions Inc.
8015 E Crystal drive,
Anaheim, CA 92807,
1-877-998-3440.

Q-See tech support in U.S.A.
Mon-Fri : 9 am 5 pm PST.
TEL : 1-877-998-3440
E-mail : ts@dpsi-usa.com
Website: <www.q-see.com>

User's Manual



MODEL: QS926C



**DAYTIME
COLOR VIDEO CAMERA**

PROPERTIES

The housing is constructed of high grade zinc alloy, and the surface uses a high preservative adhesive. The unit is water tight and may be used outdoors in wet or rainy conditions.

WARNING To prevent fire or shock hazard, do not expose the insides of the unit to rain or moisture.



SA 1966

This symbol is intended to alert the user to the presence of important operating and maintenance(servicing) instructions in the literature accompanying the appliance.



SA 1966

This symbol is intended to alert the user to the presence of uninsulated "dangerous voltage" within the product's enclosure that may be of sufficient magnitude to constitute a risk of electric shock.

CAUTION
RISK OF ELECTRIC SHOCK
DO NOT OPEN

CAUTION: TO REDUCE THE RISK OF ELECTRIC SHOCK DO NOT REMOVE COVER OR BACK. NO USER SERVICEABLE PARTS INSIDE. REFER SERVICING TO QUALIFIED SERVICE PERSONNEL.

CAUTION

To prevent electric shocks and risk of fire hazards. Do not use other than specified power source.

CAUTION:

- Do not open the cover of the camera. It will no longer be waterproof if it is opened.
- Do not aim the camera at bright or strong light sources, this will make the camera ineffective in capturing video.

SPECIFICATIONS

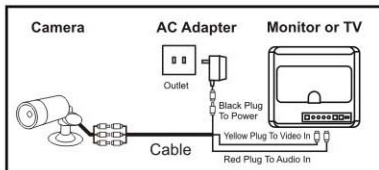
Spec.	Model
Image Sensor	1/3" Color
Horizontal Resolution	400 TVL
Minimum Illuminance	< 0.5Lux
Lens	6mm
Power Supply	DC 12V
Power Consumption	100mA
Dimensions	42(W)x42(D)x110(H)mm
Weight	195g
Operating Temperature	-20°C - +70°C
Auto Gain Control	On/Off
Video Output	1.0Vp-p 75 Ohm
Auto Iris	1/50 1/6000
S/N Ratio	> 48dB
Signal System	PAL/NTSC
Effective Pixels	PAL : 628 X 586 NTSC : 656 X 492
Sensing Area	PAL : 5.96 X 4.28mm NTSC : 4.08 X 3.10mm
Gamma characteristics	0.45
Audio Output	325mV/2.7k Ohm
Infrared Power On/Off	(None)
Night-Vision Range	(None)
Cable length	7Ft.

- Please keep the camera within the limits of the assigned voltage and electric current.
- Please use the camera only in applications with temperatures below 70°C(158°F).
- Please use the right electric cable to power the camera.
- Don't use corrosive substances to clean the glass.

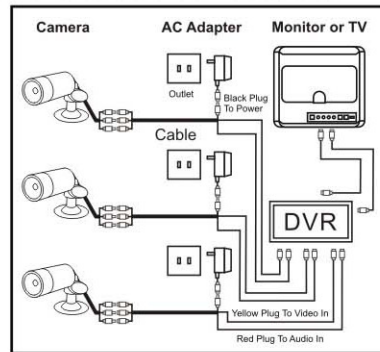
CAUTION: Any changes or modifications to this camera which are not expressly approved by the party responsible for compliance could void the users warranty.

CONNECTORS AND CONTROLS

1. Simplest one monitor system with one camera.



2. One monitor with two or more cameras.



PRODUCT FEATURES

QS926C is a high quality camera for CCTV systems. They feature the latest technology and deliver clear and accurate scale of color images. They are suitable for indoor, outdoor and day or night use.

They are small, light, easy to install and easy to use.